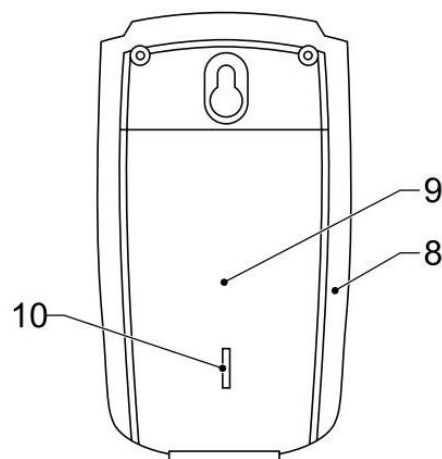
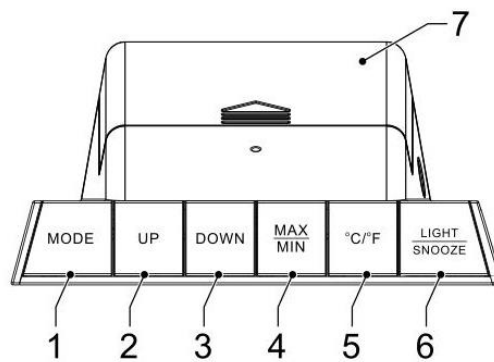
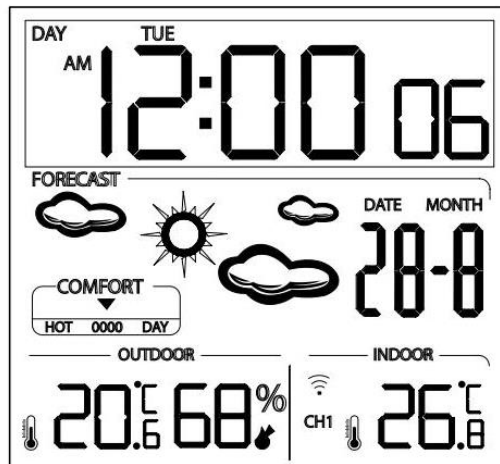


nedis

WEST404BK

Weather station



1. Mode button	<ul style="list-style-type: none"> Press the button to set the mode: normal / time / date / alarm mode. Time mode: Press and hold the button to switch between hours and minutes. Press the up/down buttons to adjust the settings. Press the button to confirm. Date mode: Press and hold the button to switch between year, month and day. Press the up/down buttons to adjust the settings. Press the button to confirm. Alarm actuation mode: Press and hold the button to switch between hours, minutes and snooze time. Press the up/down buttons to adjust the settings. Press the button to confirm.
2. Up button 3. Down button	<ul style="list-style-type: none"> Press the buttons to increase or decrease the value. Press and hold the buttons to accelerate the process.
4. Max/min button	<ul style="list-style-type: none"> Press the buttons to view the temperature and humidity (maximum and minimum values). Press and hold the buttons to clear the maximum and minimum values.
5. °C/°F button	<ul style="list-style-type: none"> Press the button to set the temperature display format (°C/°F).
6. Light button Snooze button	<ul style="list-style-type: none"> Press the button to switch on the display light. The display light switches off after 5 seconds. If the alarm sounds, press the button to activate the snooze function for 5 minutes. Press any other button to stop the alarm.
7. Battery compartment (main unit)	<ul style="list-style-type: none"> Open the battery compartment. Insert the batteries (3x AAA) into the battery compartment. Close the battery compartment. <p>Note: After inserting the batteries, the device will detect the indoor temperature and humidity (barometer value) and subsequently the outdoor temperature and humidity for 3 minutes.</p>
8. External sensor	
9. Battery compartment (external sensor)	<ul style="list-style-type: none"> Open the battery compartment. Insert the batteries (2x AAA) into the battery compartment. Close the battery compartment.
10. Data transmission channel tuner	<ul style="list-style-type: none"> Open the battery compartment. Remove the batteries. Set the data reception channel to the corresponding channel on the main unit. Insert the batteries. Close the battery compartment.

Safety

General safety

- Read the manual carefully before use. Keep the manual for future reference.
- The manufacturer is not liable for consequential damages or for damages to property or persons caused by non-observance of the safety instructions and improper use of the device.
- Only use the device for its intended purposes. Do not use the device for other purposes than described in the manual.
- Do not use the device if any part is damaged or defective. If the device is damaged or defective, replace the device immediately.

Battery safety

- Use only the batteries mentioned in the manual.
- Do not use old and new batteries together.
- Do not use batteries of different types or brands.
- Do not install batteries in reverse polarity.
- Do not short-circuit or disassemble the batteries.
- Do not expose the batteries to water.
- Do not expose the batteries to fire or excessive heat.
- Batteries are prone to leakage when fully discharged. To avoid damage to the product, remove the batteries when leaving the product unattended for longer periods of time.
- If liquid from the batteries comes into contact with skin or clothing, immediately rinse with fresh water.

Cleaning and maintenance

Warning!

- Do not use cleaning solvents or abrasives.
- Do not clean the inside of the device.
- Do not attempt to repair the device. If the device does not operate correctly, replace it with a new device.
- Do not immerse the device in water or other liquids.

- Clean the outside of the device using a soft, damp cloth.

Support

If you need further help or have comments or suggestions please visit www.nedis.com/support