

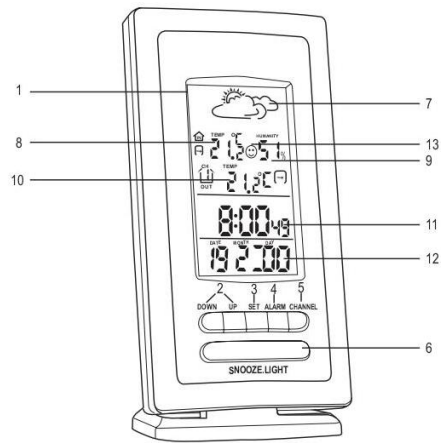


KÖNIG

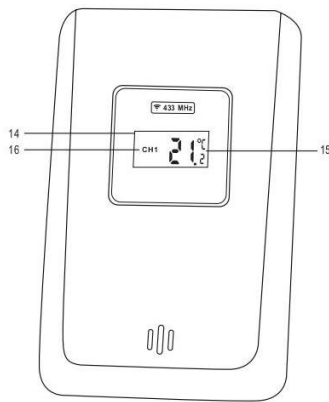
KN-WS205

Weather station

A1



A2



Description

English

Weather station (fig. A1)

1. Display	2. Up/down buttons
3. Set button	4. Alarm button
5. Channel button	6. Snooze button
7. Weather forecast	8. Indoor temperature
9. Indoor humidity	10. Outdoor temperature
11. Time	12. Date
13. Comfort level	

Remote sensor (fig. A2)

14. Display	15. Temperature
16. Channel indicator	

Installation

The transmission range is approximately 20 meters from the remote sensor to the weather station in an open area. After installing the batteries, the weather station will show the temperature and humidity within 3 minutes.

Warning!

- Install the devices at least 2 meters away from any interfering sources.
- Do not install the devices onto or near metal window frames.
- Do not use other electrical devices that operate on the same frequency (433 MHz).

- Weather station:
 1. Hang the device on the wall using the hanging hole at the back of the device.
 2. Place the device with the stand onto a table or a desk.
- Remote sensor:
 - Hang the device on the wall using the hanging hole at the back of the device.

Use

Replacing the batteries

- Open the battery compartment.
- Insert the batteries into the battery compartment.
(Weather station: 3 AAA batteries. Remote sensor: 2 AAA batteries).
- Close the battery compartment.

Setting the date and the time

- Press and hold the set button for 2 seconds.
- Press the up/down buttons to adjust the settings.
Setting order: year > month > day > 12/24-hour format > hours > minutes.
- Press the set button to confirm each setting.

Setting the channel (remote sensor)

The weather station can be used with up to 3 remote sensors. Each remote sensor must be assigned to a different channel.

- Open the battery compartment of the remote sensor.
- Slide the channel switch to the required channel (CH1/CH2/CH3). The channel indicator shows the current channel.
- Press the channel button to switch between the channels.

Setting the alarm

- Press and hold the alarm button for 2 seconds.
- Press the up/down buttons to adjust the settings.
Setting order: hours > minutes.
- Press the alarm button to confirm each setting.

Snooze function

- If the alarm sounds, press the snooze button to snooze the alarm. The alarm will sound again after 5 minutes.
Press any other button to stop the alarm and set it again for 24 hours later.
- If the alarm does not sound, press the snooze button to switch on the backlight for 20 seconds.

Setting an outdoor temperature alert

- Press and hold the set button for 2 seconds.
- Press and hold the down button for 2 seconds.
- Press the up/down buttons to adjust the settings. Setting order: on/off > upper limit > lower limit.
- If the outdoor temperature is outside the set temperature range, a buzzer will sound for 2 seconds.

Temperature and humidity

- Press the down button to switch between °C and °F.
- Repeatedly press the up button to alternately show the minimum/maximum values and the current values of the outdoor temperature, the indoor temperature and the indoor humidity.
- If the minimum/maximum values are shown, press and hold the up button for 2 seconds to reset the minimum/maximum values to the current values.

Safety



- To reduce risk of electric shock, this product should only be opened by an authorized technician when service is required.
- Disconnect the product from the mains and other equipment if a problem should occur.

- Read the manual carefully before use. Keep the manual for future reference.
- Only use the device for its intended purposes. Do not use the device for other purposes than described in the manual.
- Do not use the device if any part is damaged or defective. If the device is damaged or defective, replace the device immediately.

Cleaning and maintenance

Warning!

- Do not use cleaning solvents or abrasives.
- Do not clean the inside of the device.
- Do not attempt to repair the device. If the device does not operate correctly, replace it with a new device.

- Clean the outside of the device using a soft, damp cloth.