

# TECHNICAL SPECIFICATION

## Universal Limit Switch - Series CM-1xxx

### Description

Limit switches of the CM series are used mainly as replacement of the limit switches of the TZ series or for setting the movement limits of some types of equipment. The switches are supplied with screw cable terminals. They can work at resistance loads as high as 15A, and are of single circuit type. Limit switches have high accuracy and can operate at wide variety of speeds.

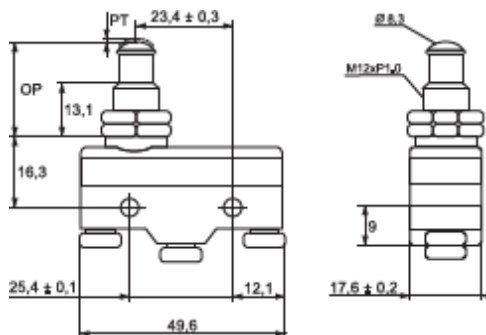
### Technical data

- Dielectric Strength: 1000V AC
- Insulation Resistance: 100m $\Omega$  min. (at 500VDC)
- Contact Resistance: 5m $\Omega$
- Electrical Life (No. of cycles): 500 000 with non-inductive load
- Mechanical Life (No. of cycles): 5 000 000
- Operating frequency: 20 electrical operations/ minute
- Operating speed: 0.1mm/s to 1.0m/s
- Rated voltage: 230V
- IP code: IP65
- Fastening strength of terminals: 6-8kgf/cm

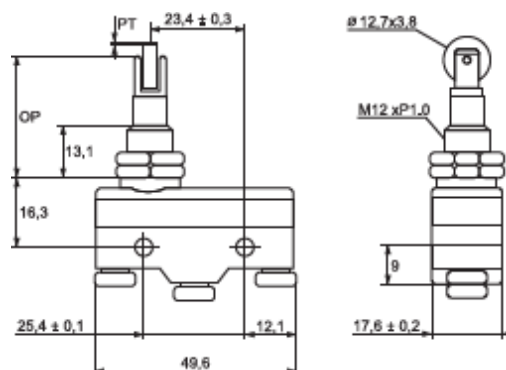
### Type of contact system



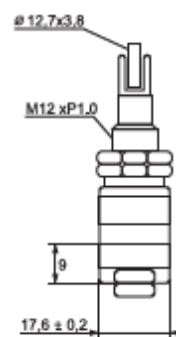
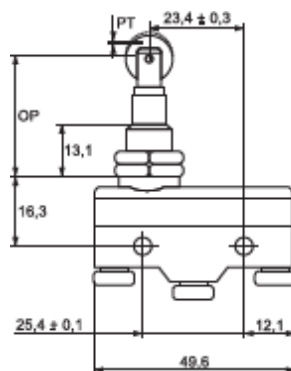
## Variants and dimensions



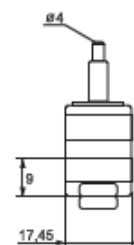
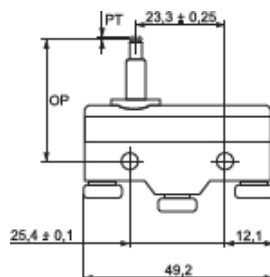
Type	Type of the head	Power of starting (g)	Power of release (g)	Switching position	General movement	Rated current	Packing / Box (pcs)	Catalogue number
CM-1307	metal cylinder	350	114	0.4mm	5.5mm	15A-active 5A-inductive	1 / 480	468105



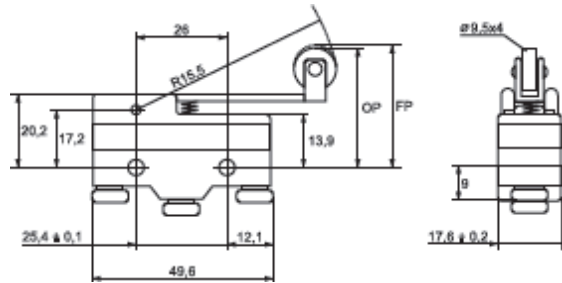
Type	Type of the head	Power of starting (g)	Power of release (g)	Switching position	General movement	Rated current	Packing / Box (pcs)	Catalogue number
CM-1309	Cylinder and transverse metal roll	350	114	0.4mm	5.5mm	15A-active 5A-inductive	1 / 480	468106



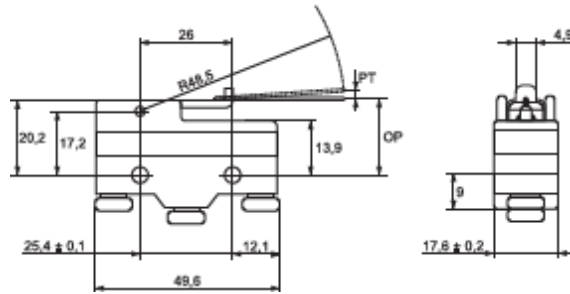
Type	Type of the head	Power of starting (g)	Power of release (g)	Switching position	General movement	Rated current	Packing / Box (pcs)	Catalogue number
CM-1308	Cylinder longitudinal metal roll	350	114	0.4mm	5.5mm	15A-active 5A-inductive	1 / 480	468109



Type	Type of the head	Power of starting (g)	Power of release (g)	Switching position	General movement	Rated current	Packing / Box (pcs)	Catalogue number
CM 1305	Metal cylinder	350	114	0.4mm	1.6mm	15A-active 5A-inductive	1 / 480	468110



Type	Type of the head	Power of starting (g)	Power of release (g)	Switching position	General movement	Rated current	Packing / Box (pcs)	Catalogue number
CM-1703	Extended metal roll	160	22	7.1mm	1.02mm	15A-active 5A-inductive	1 / 480	468113



Type	Type of the head	Power of starting (g)	Power of release (g)	Switching position	General movement	Rated current	Packing / Box (pcs)	Catalogue number
CM-1705	Spring lever	10	3	20mm	5.6mm	15A-active 5A-inductive	1 / 480	468117

## Standards

EN 60947-1

EN 60947-5-1

