

brennenstuhl®

Comfort-Line

Remote Control Set

RC CE1 3001 DE 3726 · RC CE1 0201 DE 3726

RC CE1 4001 DE 3726 · RC CE1 2201 DE 3726

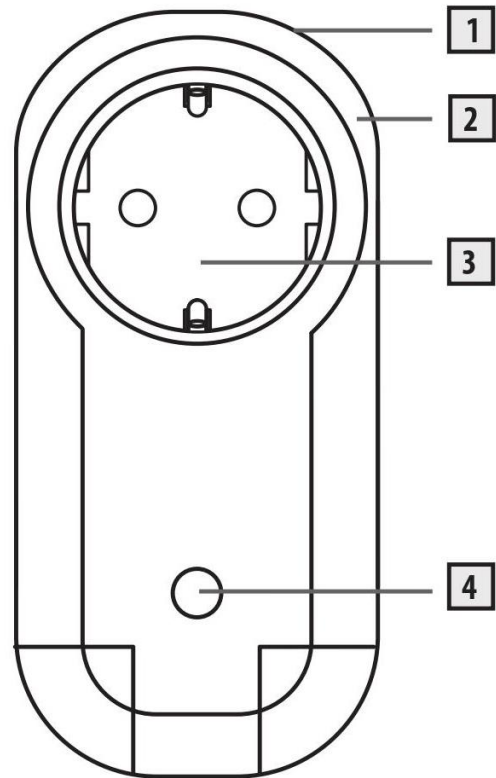
H. Brennenstuhl S.A.S.

4 rue de Bruxelles · F-67170 Bernolsheim

lectra-t ag

Blegistrasse 13 · CH-6340 Baar

www.brennenstuhl.com



DEVICE OVERVIEW

1 Radio controlled receiver

RCR CE1 1011 IP20 DE 3726

2 Plug

3 Socket

4 Button/function light

5 Radio controlled receiver

RCR CE1 1011 IP44 DE 3726

6 Plug

7 Socket with hinged cover

8 Button/function light

9 Remote control

10 Function light

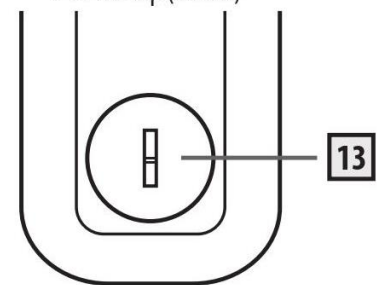
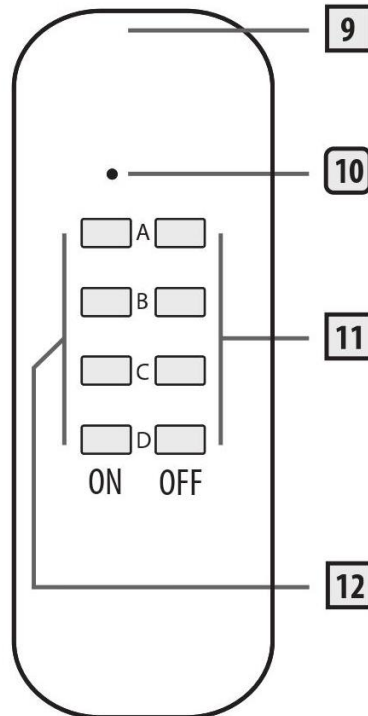
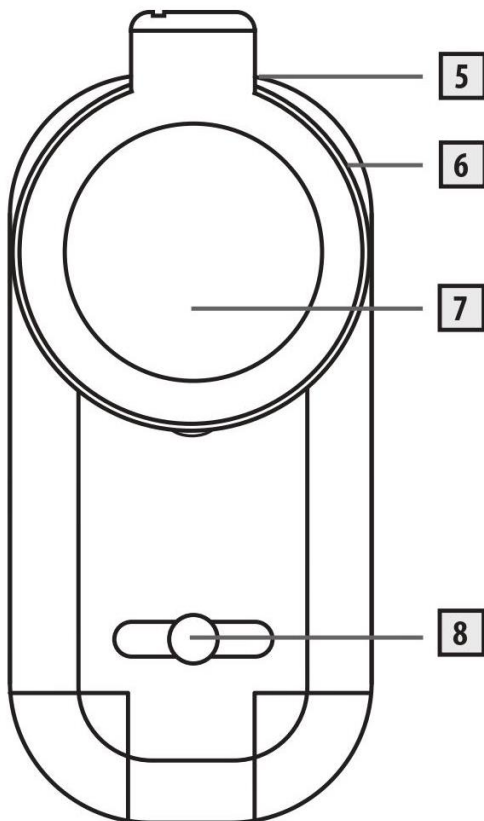
11 OFF buttons (A, B, C, D)

12 ON buttons (A, B, C, D)

13 Battery compartment

1 x CR 2032:

+ at the top (visible)



TECHNICAL SPECIFICATIONS:

Remote control

Power supply: 1x CR 2032 battery, 3 V

Radio controlled receiver

Power supply: 230 V~

Switching capacity: max of 1000 W

General Information

Range: max of 25 m

Frequency band: 433.05 MHz – 434.79 MHz

Operating frequency: 433.92 MHz

Max. transmitting power: ≤5 dBm

Ambient temperature: 0°C to 35°C

Storage temperature: -40°C to 70°C

Protection class: IP 20 (RCR CE1 1011 IP20 DE 3726)

IP 44 (RCR CE1 1011 IP44 DE 3726)

EC Conformity: 

SAFETY

Intended Use

The Remote Control Set is used to switch lamps and electronic devices on and off. Any other use is considered to be contrary to the intended use. The manufacturer will not be liable for damages resulting from any misuse.

User Manual

Please read this user manual in its entirety before using the devices. Retain this user manual and forward it to any future owner of the device.

Basic Safety Notes

- Do not connect any appliances that might cause fires (e.g., irons) or other damage if they are switched on unsupervised.
- Do not use the Remote Control Set in an uncontrolled manner or without supervision.
- Do not exceed the maximum switching capacity.
- Do not connect in series.
- De-energised only when unplugged.
- **Radio controlled receiver RCR CE1 1011 IP20 DE 3726:** Suitable for use in closed rooms only.
- **Radio controlled receiver RCR CE1 1011 IP44 DE 3726:** Also suitable for outdoor use. However, splash water protection is only guaranteed when used with a connector with the same protection level (designation IPX4).
- Make sure the socket is located near the product connected to it, is easily accessible and that the connected product is not covered while in use.

Batteries must be handled with particular care.

- Danger of explosion!
Do not attempt to recharge non-rechargeable batteries.
- Do not throw batteries into the fire or expose them to high temperatures.
- Battery acid leaking from a battery may result in skin irritation. Rinse off the liquid with plenty of water in case of contact. If the liquid comes in contact with your eyes, do not rub eyes, but rinse immediately with plenty of water and see a doctor at once.

Preparing the Devices

Note:

Always plug the radio controlled receiver directly into a wall socket.

Insert battery into the remote control

Caution! Ensure correct polarity when inserting the battery. An incorrectly inserted battery may damage the device.

Assigning a remote control button (A, B, C or D) to a radio controlled receiver.

1. Press the desired button on the radio controlled receiver and hold for about 3 seconds before releasing it. The function light will flash for about 30 seconds (learning mode).
2. While the light is flashing (learning mode), press, e.g., ON button A on the remote control to assign button A to the radio controlled receiver.
3. As soon as the radio controlled receiver receives a valid button code from the sender the function light stops flashing and stays lit to indicate learning was successful.

Note: If the learning process fails, learning mode will stop after about 30 seconds, and the function light will switch off.

4. The radio controlled receiver is ready for use after a successful learning process. You may now plug a device into the socket and switch it on and off using the remote control (observe max. allowable wattage). The function light indicates the switching state of the radio controlled receiver.
5. Repeat steps 1 - 4 to assign the desired buttons (A, B, C or D) to additional radio controlled receivers.

Notes:

- Once assigned, button codes remain stored in memory, even if the radio controlled receiver is not connected to the mains.
- To avoid system errors more than 65.000 randomly assigned codes are available for the remote controls.

User Tips:

- Group switching can be implemented by assigning several receivers in a row to the same remote control button (or all receivers together, corresponds to a master button).
- By assigning several remote controls (several sets in the same series) in a row to the same receiver, that receiver can also be controlled by multiple remote controls.

Please note!

Up to 8 different button codes may be assigned to each radio controlled receiver. Attempts to assign a ninth code will be refused (function light flashes rapidly).

Deleting Assigned Button Codes

Deleting all button codes on a radio controlled receiver:

Press the button on the desired radio controlled receiver and hold for more than 6 seconds. The corresponding function light flashes rapidly for about 3 seconds, and all button codes assigned to that radio controlled receiver are deleted. After the function light goes off new button codes may be assigned.

Deleting a single button code on a radio controlled receiver:

1. Press the desired button on the radio controlled receiver and hold for about 3 seconds before releasing it. The function light will flash for about 30 seconds (learning mode).
2. To delete a button code from a radio controlled receiver, press the remote control OFF button you wish to delete while the light flashes (learning mode). The delete action is acknowledged with about 3 seconds of rapid flashing.

Note:

The radio controlled receiver will remain in learning mode for another 30 seconds or so.

Manual Switching

The radio controlled receiver may be switched on or off manually by briefly (less than 1 second) pressing the button on the receiver. The function light indicates the switching state of the radio controlled receiver.

CLEANING



Caution!
Risk of electric shock.

Disconnect the device from the power source prior to cleaning. Clean the device with a soft, slightly damp cloth and a mild cleaner. Make sure the device is completely dry before using it again.

MAINTENANCE

Check the battery for damage periodically.

DISPOSAL



Always dispose of electrical appliances in an environmentally responsible manner!

Do not dispose of electrical appliances with the household rubbish! In accordance with Directive 2012/19/EC on waste electrical and electronic equipment used electrical equipment must be separated from the rubbish and reused or recycled in an environmentally responsible manner. Please contact your local authorities for available disposal options for your disused device.



Incorrect battery disposal damages the environment!

Batteries do not belong in the household rubbish. They may contain toxic heavy metals and must be treated as hazardous waste. Take your used batteries to a communal collection site.

DECLARATION OF CONFORMITY

We, Hugo Brennenstuhl GmbH & Co KG, hereby declare that the wireless devices of types RCR CE1 1011 IP20 DE 3726 and RCR CE1 1011 IP44 DE 3726 comply with Directives 2014/53/EU and 2011/65/EU (RoHS II).

The full text of the EU declaration of conformity is available at the following links:

- www.brennenstuhl.com/konformitaetserklaerung/ke_1507030.pdf
- www.brennenstuhl.com/konformitaetserklaerung/ke_1507040.pdf
- www.brennenstuhl.com/konformitaetserklaerung/ke_1507050.pdf
- www.brennenstuhl.com/konformitaetserklaerung/ke_1507060.pdf

For more information we recommend checking the Service/FAQ section on our homepage, www.brennenstuhl.de

DEVICES**Product Contents**

Depending on the set, the following products are included in the package:

Remote Control Set:	RC CE1 3001 DE 3726	RC CE1 0201 DE 3726	RC CE1 4001 DE 3726	RC CE1 2201 DE 3726
Item No.	1507040	1507030	1507050	1507060
Radio controlled receiver RCR CE1 1011 IP20 DE 3726	3	0	4	2
Radio controlled receiver RCR CE1 1011 IP44 DE 3726	0	2	0	2
Remote control RCT CE1 CR 3726	1	1	1	1
Battery type CR 2032	1	1	1	1
User Manual	1	1	1	1