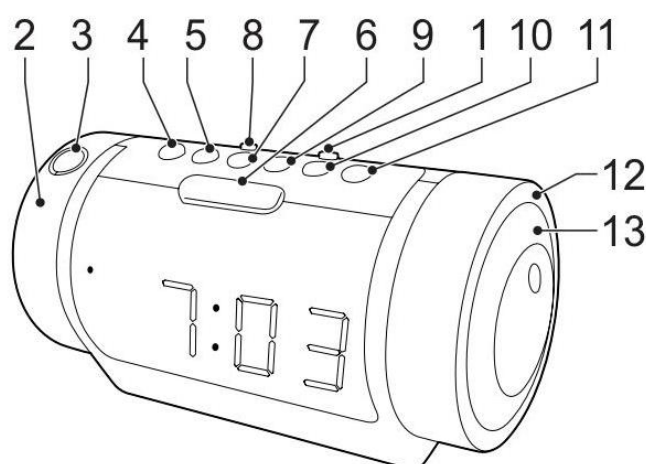


nedis

CLAR005BK

Alarm clock



English - Description

1. On/off button	<ul style="list-style-type: none">• Use the button to switch on or off the device.• Press the button to select the frequency (FM: 87.5 - 108 MHz)(AM: 522-1620 MHz).• When the alarm sounds, press the button to stop the alarm.• If the device is disrupted by a strong electric magnetic field, reset the device or put it in another location.
2. Projector ring 3. Projector 4. Projection button	<ul style="list-style-type: none">• Press the projection button to switch on the projector. When the room is dark, the device will project the time on the ceiling.• Use the projector ring to adjust the direction of the projected image to 90° maximum.
5. Sleep button	<ul style="list-style-type: none">• Sleep mode: On radio playing mode, press the button to enter sleep mode. The display by default shows '90' for minutes of sleep time. Press the button repeatedly to select the sleep time: 90-80-70-60-50-40-30-20-10 or OFF. After timer countdown, the radio will stop playing and shut off automatically.• Snooze function: On alarm sound mode, press the button. The alarm will go off again after 9 minutes.• On time display mode, press and hold the button to select the lighting of the display: off, low or high.
6. Snooze button	<ul style="list-style-type: none">• On alarm sound mode, press the button. The alarm will sound again after 9 minutes.
7. Alarm button 8. Alarm switch	<ul style="list-style-type: none">• In clock display mode, press the button to select alarm by buzzer. Press the button twice to set alarm by radio. In the display, the buzzer icon or the radio icon shows and the alarm time flashes. Set the alarm time with the hour button and the minute button.

9. Time button	<ul style="list-style-type: none"> Set the time: Set the on/off button in off position. Press and hold the time button. The display flashes. Select the hours and minutes with the hour button and the minute button. Press the time button to set the time. Preset frequencies (20 AM and 20 FM): Select the frequency. Press and hold the button to enter preset mode. The preset number shows in the display. Press the hour button or the minute button to select the radio station. Press the button to preset the selected radio station. Do these steps again to complete the next presets. Press the button to select a preset radio station.
10. Hour button 11. Minute button	<ul style="list-style-type: none"> Simultaneously press the buttons and the time set button to set the correct time. Simultaneously press the buttons and the on/off button to select a radio station.
12. Frequency dial	<ul style="list-style-type: none"> Turn the dial to select a radio station.
13. Volume dial	<ul style="list-style-type: none"> Press the button to increase or decrease the volume. The default volume is 12, the maximum volume is 16.
14. Focus knob	<ul style="list-style-type: none"> Use the focus knob (located on the left side of the device) to adjust the lighting of the display.
15. Speaker	<ul style="list-style-type: none"> The speaker is located on the back of the device.

- The display shows the time in 24 hours presentation.
- If the display flashes, the power connection has been interrupted and restored. Reset the time and the alarm time. Put a 9V battery in the battery compartment to have a backup power system in the case of power failure

Safety

General safety

- Read the manual carefully before use. Keep the manual for future reference.
- The manufacturer is not liable for consequential damages or for damages to property or persons caused by non-observance of the safety instructions and improper use of the device.
- Only use the device for its intended purposes. Do not use the device for other purposes than described in the manual.
- Do not use the device if any part is damaged or defective. If the device is damaged or defective, replace the device immediately.
- The device is suitable for indoor use only. Do not use the device outdoors.
- The device is suitable for domestic use only. Do not use the device for commercial purposes.
- Do not use the device in locations with high humidity, such as bathrooms and swimming pools.
- Do not use the device near bathtubs, showers, basins or other vessels containing water.
- Do not use a timer or a separate remote-control system that switches on the device automatically.
- Do not cover the device.
- Place the device on a stable, flat surface.
- Keep the device away from flammable objects.

Electrical safety



- To reduce risk of electric shock, this product should only be opened by an authorized technician when service is required.
- Disconnect the product from the mains and other equipment if a problem should occur.
- Do not use the device if the mains cable or mains plug is damaged or defective. If the mains cable or mains plug is damaged or defective, it must be replaced by the manufacturer or an authorised repair agent.
- Before use, always check that the mains voltage is the same as the voltage on the rating plate of the device.
- Do not move the device by pulling the mains cable. Make sure that the mains cable cannot become entangled.
- Do not immerse the device, the mains cable or the mains plug in water or other liquids.
- Do not leave the device unattended while the mains plug is connected to the mains supply.
- Do not use an extension cable.

Support

If you need further help or have comments or suggestions, please visit www.nedis.com/support