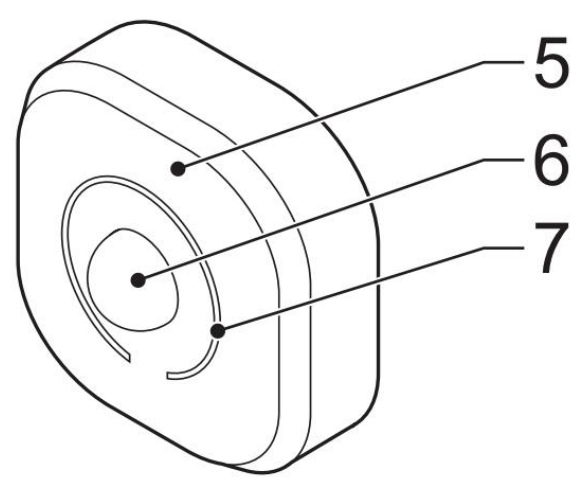
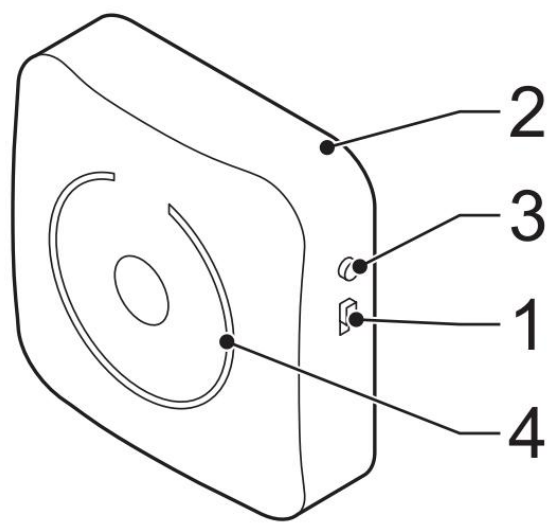


nedis

ALRMMW20WT

Motion alarm with chime



English - Description

| | |
|----------------------------------|--|
| 1. On/off button | <ul style="list-style-type: none">Use the button to switch on or off the device. |
| 2. Code button | <ul style="list-style-type: none">Install the batteries. Press and release the button to enter the code learning mode.To pair the device with the transmitter, put the batteries in the transmitter. The device automatically detects the signal of the transmitter. The device gives a 'ding dong' sound and the blue light flashes several times to indicate that the pairing was successful.To clear the code, press and hold the code button, switch on the device, put in the batteries and release the button. |
| 3. Ringtone button | <ul style="list-style-type: none">Press the button to select a ringtone.After the device has been switched off, the default ringtone is set. |
| 4. Indicator light | <ul style="list-style-type: none">The light is flashing: The transmitter has detected motion.The light is on: The batteries are low. Charge the batteries. |
| 5. Transmitter | <ul style="list-style-type: none">The device has a wireless connection to the transmitter.Install the transmitter indoor, on a balcony or in the garage.Do not install the transmitter in places that have direct or reflect sunlight. |
| 6. Motion sensor (transmitter) | <ul style="list-style-type: none">When the infrared motion sensor detects movement in the induction area, an alarm signal sounds and an alarm light flashes. The transmitter sends signals to the receiver.The sensor has a coverage of a 90°-110° angle and a distance of 4-8m, depending on environmental conditions. |
| 7. Indicator light (transmitter) | <ul style="list-style-type: none">The blue light flashes: The sensor detects motion.The blue light is on: The voltage is too low. Charge the battery. |

Safety

General safety

- Read the manual carefully before use. Keep the manual for future reference.
- The manufacturer is not liable for consequential damages or for damages to property or persons caused by non-observance of the safety instructions and improper use of the device.
- Only use the device for its intended purposes. Do not use the device for other purposes than described in the manual.
- Do not use the device if any part is damaged or defective. If the device is damaged or defective, replace the device immediately.
- The device is suitable for indoor use only. Do not use the device outdoors.
- The device is suitable for domestic use only. Do not use the device for commercial purposes.
- Do not use the device in locations with high humidity, such as bathrooms and swimming pools.
- Do not use the device near bathtubs, showers, basins or other vessels containing water.
- Do not use a timer or a separate remote-control system that switches on the device automatically.
- Do not cover the device.
- Place the device on a stable, flat surface.
- Keep the device away from flammable objects.

Battery safety

- Use only the batteries mentioned in the manual.
- Do not use old and new batteries together.
- Do not use batteries of different types or brands.
- Do not install batteries in reverse polarity.
- Do not short-circuit or disassemble the batteries.
- Do not expose the batteries to water.
- Do not expose the batteries to fire or excessive heat.
- Batteries are prone to leakage when fully discharged. To avoid damage to the product, remove the batteries when leaving the product unattended for longer periods of time.
- If liquid from the batteries comes into contact with skin or clothing, immediately rinse with fresh water.

Support

If you need further help or have comments or suggestions, please visit www.nedis.com/support