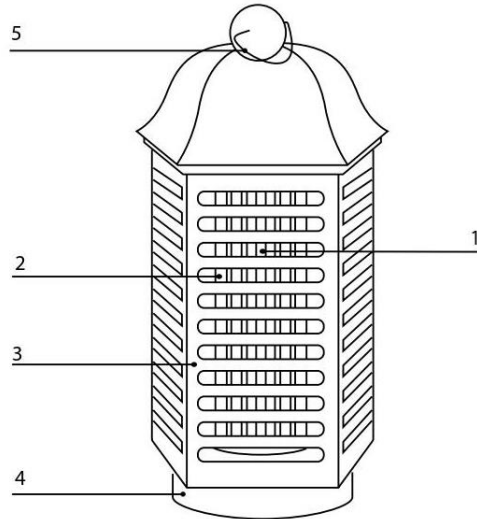


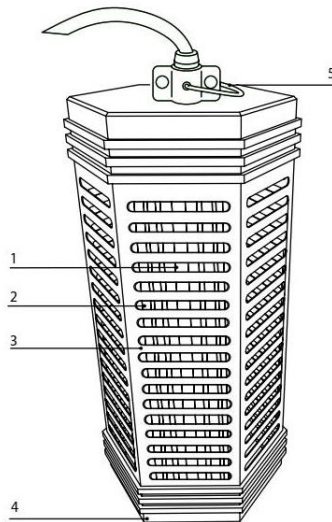
nedis

INKI110CBK4 / INKI110CBK6 / INKI110CBK16 UV Insect Killer

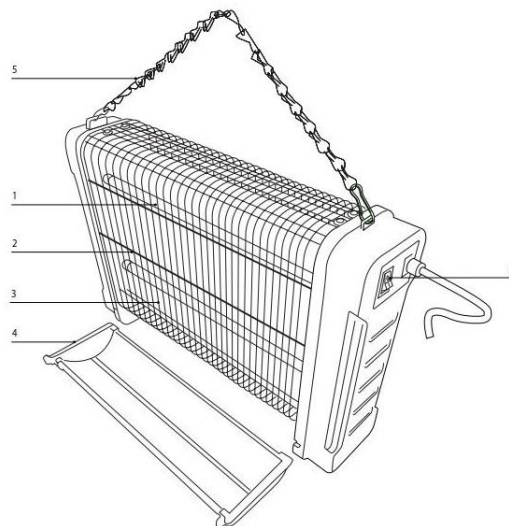
INKI110CBK4



INKI110CBK6



INKI110CBK16



Description

English

The insect killer uses the UV-A LED lamps to attract insects to the device. The insects are electrocuted upon touching the inner grid of high electric voltage.

1. UV light
2. Electric grid
3. Outer grill
4. Tray
5. Hook / Chain
6. On/Off switch

Use

- Hang or place the lamp in the desired location.
- Insert the mains plug into the wall socket.
- The UV light illuminates and attracts insects to the device.
- Remove the tray to remove the insects.

Technical data

	INKI110CBK4	INKI110CBK6	INKI110CBK16
Input voltage	230 V AC	230 V AC	230 V AC
Grid voltage	800 - 1000V	800 - 1000V	1500 - 1600V
Input power	4 W	6 W	16 W
Efective range	30 m ²	50 m ²	50 m ²
Lamp type	F4T5/BL	F6T5/BL	F8T5/BL (2x)
Light type	UV-A	UV-A	UV-A
Cord Length	1 m	1 m	1 m

Safety

- Read the manual carefully before use. Keep the manual for future reference.
- Only use the device for its intended purposes. Do not use the device for other purposes than described in the manual.
- The manufacturer is not liable for consequential damages or for damages to property or persons caused by non-observance of the safety instructions and improper use of the device.
- The device can be used by children aged from 8 years and above and persons with reduced physical, sensory or mental capabilities or lack of experience and knowledge if they have been given supervision or instruction concerning use of the device in a safe way and understand the hazards involved. Cleaning and user maintenance shall not be made by children unless they are older than 8 years and supervised. Keep the device and the mains cable out of the reach of children younger than 8 years. Children shall not play with the device.
- Do not use the device if any part is damaged or defective. If the device is damaged or defective, replace the device immediately.
- Do not use the device outdoors. The device is suitable for indoor use only.
- The device is suitable for domestic use only. Do not use the device for commercial purposes.
- Do not use the device near bathtubs, showers, basins or other vessels containing water.
- Do not immerse the device in water or other liquids. If the device is immersed in water or other liquids, do not remove the device with your hands. Immediately remove the mains plug from the wall socket. If the device is immersed in water or other liquids, do not use the device again.
- Keep the device away from heat sources. Do not place the device on hot surfaces or near open flames.
- Do not use the device near explosive or flammable materials.
- Keep your hands away from the grid. Do not insert fingers, pencils or other objects through the guard.
- Before moving the device, always remove the mains plug from the wall socket. Do not pull the mains cord.
- For replacement, use lamps of the same type and rating only.

Electrical safety



- To reduce risk of electric shock, this product should only be opened by an authorized technician when service is required.
- Disconnect the product from the mains and other equipment if a problem should occur.
- Do not use the device if the mains cable or mains plug is damaged or defective. If the mains cable or mains plug is damaged or defective, it must be replaced by the manufacturer or an authorised repair agent.
- Before use, always check that the mains voltage is the same as the voltage on the rating plate of the device.
- Connect the device to an earthed wall socket. If necessary, use an earthed extension cable of a suitable diameter.
- Always fully unwind the mains cable and the extension cable.
- Do not move the device by pulling the mains cable. Make sure that the mains cable cannot become entangled. Make sure that the mains cable does not hang over the edge of a worktop and cannot be caught accidentally or tripped over.
- Do not immerse the device, the mains cable or the mains plug in water or other liquids.
- Do not leave the device unattended while the mains plug is connected to the mains supply.

Warning!

- Before cleaning or maintenance, switch off the device, remove the mains plug from the wall socket and wait until the device has cooled down.
- Do not cover the device while is used.
- Do not use the device in garages, barns, stables or similar places.
- Do not use cleaning solvents or abrasives.
- Do not clean the inside of the device.
- Do not attempt to repair the device. If the device does not operate correctly, replace it with a new device.
- Do not insert any metal objects into the device.
-