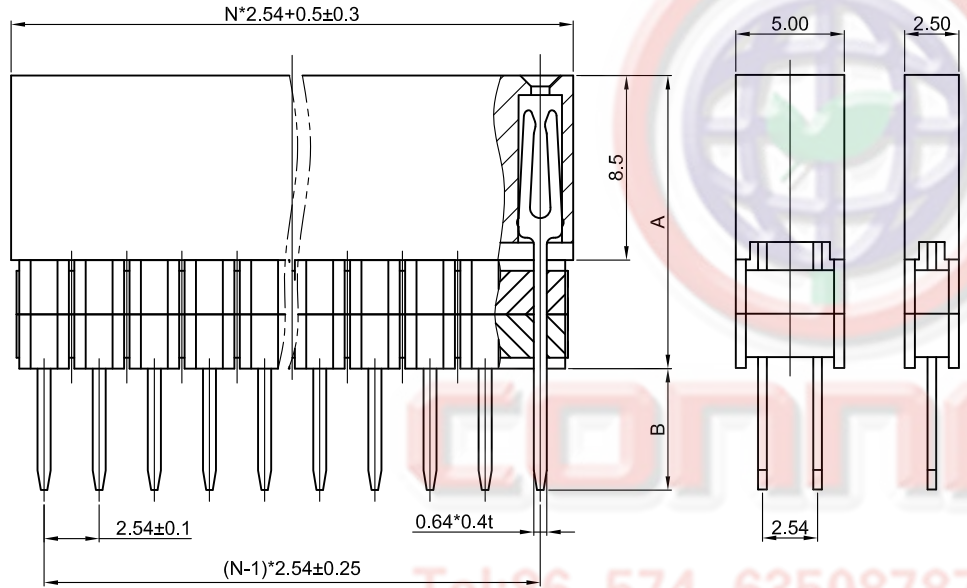


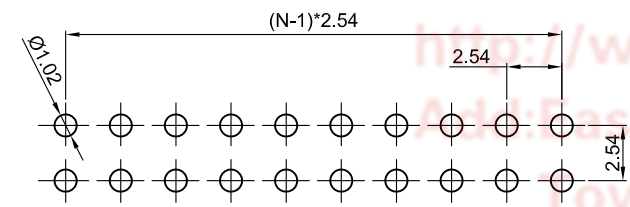
The information provided herein is from CONNFLY Electronic Co., Ltd. and is confidential. Any disclosure to a party other than the recipient is prohibited. The intellectual properties and its rights of CONNFLY Electronic Co., Ltd. are reserved. All rights reserved. Any modification is strictly prohibited without prior written consent from CONNFLY. All intellectual properties provided herein are for reference purposes only and does not constitute authorization of its use in any format or manner. CONNFLY may enforce its intellectual property rights at its own discretion; failures or delays to exercise such rights does not constitute a waiver of such rights.

1 2 3 4 5 6 7 8

REV.	DESCRIPTION	DRAWN	CHECKED	APPROVED
A	NEW RELEASE	YCH 03/07/07'		LJC 03/07/07'
B	PLATING CHANGE	JLZ 08/19/15'	HZW 08/19/15'	LJC 08/19/15'
C	DRAWING UPDATE	JLZ 12/27/18'		



N=NUMBER OF CONTACTS/2 (Double Row)
 N=NUMBER OF CONTACTS (Single Row)



RECOMMEND PCB LAYOUT
 (TOLERANCE=±0.05)

TYPE	Dimension	
	A	B
1	13.50	6.50
	X	X

Notes:

Specifications:

- Contact Resistance: 20mΩ Max.
- Insulation Resistance: 1000MΩ Min.
- Dielectric Withstanding Voltage: 600V AC(rms) For 1 Minute.
- Current Rating:3A.
- Voltage Rating:250V AC rms.
- Temperature: -40°C~+105°C.

Materials:

- Contact Material: Copper Alloy.
- Contact Plating: Gold Plating Over Nickel.
- Insulator Materials: PBT,Black,UL94-V0.

Product Number Code:

DS1023-05 - X X X X

- DIM. TYPE
1:TYPE 1
or A*.-B*.*
- CONTACT PLATING
2: GOLD + NICKEL
8: FULL GOLD FLASH
- HOUSING COLOR
B: BLACK
- No.OF CONTACTS
1x2-1x40
2x2-2x40

Tel:86-574-63508787
 Fax:86-574-63510817
 E-mail:sale@connfly.com
 http://www.connfly.com
 Add:East Industry Zone KuangYan
 Town Cixi Ningbo China
 P.C:315333

GENERAL TOLERANCE		ANGLE TOLERANCE		PROJECTION		TITLE	Female Header 2.54mm V/T Stack Type	
X.	±0.60	X.	±5°	UNITS	mm	SHEET	A4	
.X	±0.38	.X	±3°	SHEET SIZE	A4	SERIES	DS1023-05 SERIES	
.XX	±0.25	.XX	±2°	晨翔电子有限公司 CONNFLY CONNFLY ELECTRONIC CO. LTD				
DRAWING TYPE		CUSTOMER						
SCALE	1:1	SHEET	1 OF 1					
DRAWING NO.		C-DS1023-05-XXXX-C						

1 2 3 4 5 6 7 8