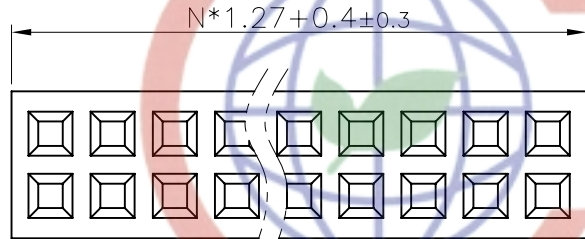


REV.	DESCRIPTION	DRAWN	CHECKED	APPROVED
A	NEW RELEASE	HP 25/06/05		

N=No. of contacts/2



NOTES:

1. SPECIFICATIONS

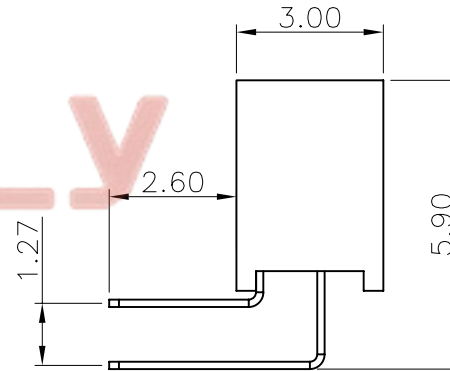
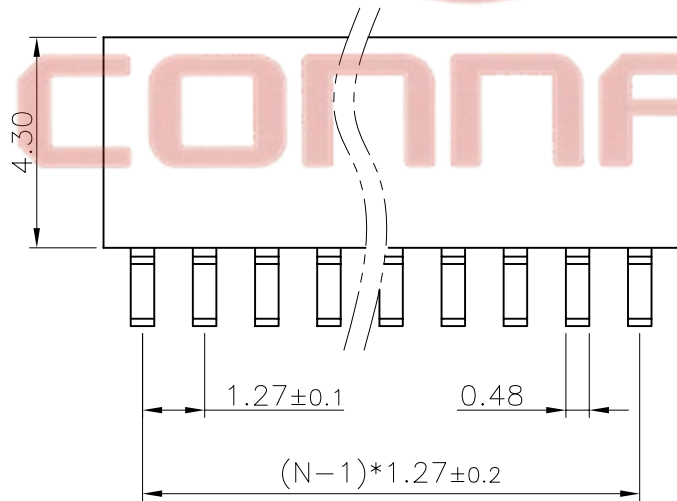
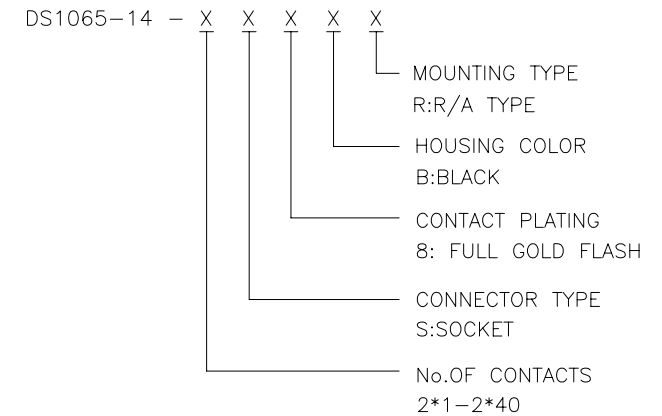
- . Current Rating: 1A
- . Insulation Resistance: 500MΩ Min
- . Dielectric Withstanding: 300V AC
- . Contact Resistance: 30mΩ Max
- . Operating Temperature: -40°C to+105°C

2.MATERIALS

- . Contact Material: Copper alloy
- . Insulator: Thermoplastic(UL94 V-0)

3.PART NUMBER: DS1065-14


4.PRODUCT NUMBER CODE:



Tel:86-574-63508787

Fax:86-574-63510817

E-mail:sale@zhenqin.com.cn

GENERAL TOLERANCE		ANGLE TOLERANCE		PROJECTION	TITLE	FEMALE HEADER PITCH 1.27mm	
X.	±0.60	X.	±5°	mm		R/A TYPE	
.X	±0.38	.X	±3°	A4	SHEET SIZE	SERIES DS1065-14	
.XX	±0.25	.XX	±2°				
DRAWING TYPE		CUSTOMER		 晨翔电子有限公司 CONNFLY CONNFLY ELECTRONIC CO. LTD			
SCALE		1:1	SHEET 1 OF 1				
DRAWING NO.		C-DS1065-14-XXXXX					