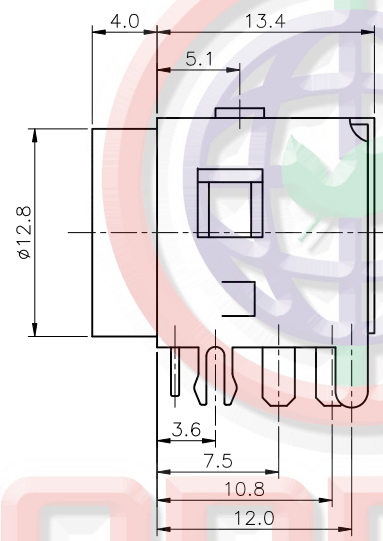
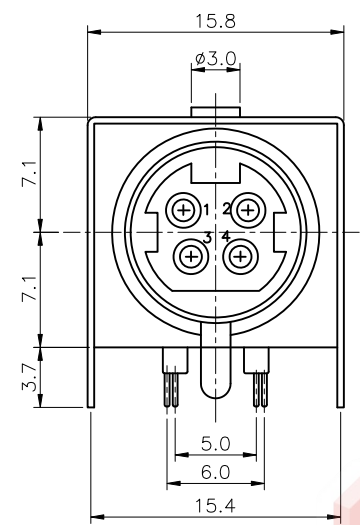


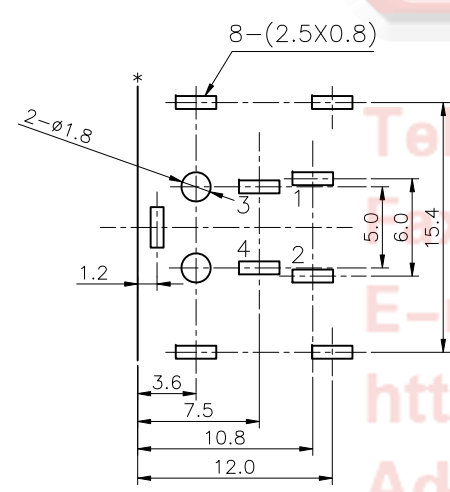
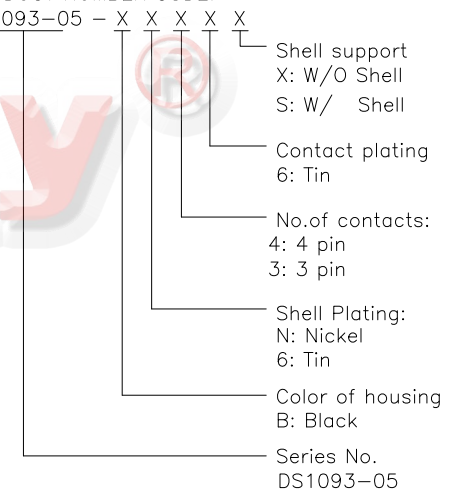
REV.	DESCRIPTION	DRAWN	CHECKED	APPROVED
A	NEW RELEASE	LJH11/16/05'		LJC11/16/05'
B	DRAWING UPDATE	JLZ 07/25/16'		



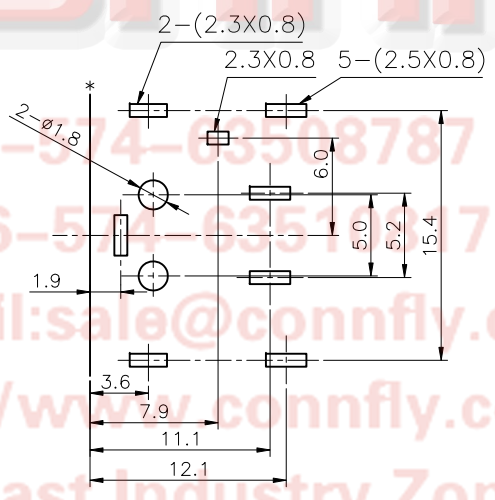
NOTES:

- SPECIFICATIONS:
 - VOLTAGE RATING: 30V DC.
 - CONTACT CURRENT RATING: 1A MAX. PER PIN.
 - CONTACT RESISTANCE: 30 MILLIOHMS MAX.
 - DIELECTRIC WITHSTANDING VOLTAGE: 500V AC(rms) FOR 1 MINUTE.
 - INSULATION RESISTANCE: 1000 MEGAOHMS MIN.
 - OPERATING TEMPERATURE: -40°C~+105°C.
- PRODUCT NUMBER CODE:

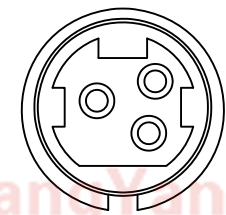
DS1093-05 - X X X X X



FOR 4PIN ONLY
RECOMMEND PCB LAYOUT
(TOLERANCE=±0.05)



FOR 3PIN ONLY
RECOMMEND PCB LAYOUT
(TOLERANCE=±0.05)



3 pin

GENERAL TOLERANCE		ANGLE TOLERANCE		PROJECTION		TITLE
X.	±0.60	X.	±5°	UNITS	mm	MINI DIN 422 TYPE
.X	±0.38	.X	±3°	SHEET SIZE	A4	SERIES DS1093-05 SERIES
.XX	±0.25	.XX	±2°			
DRAWING TYPE		CUSTOMER		晨翔电子有限公司 CONNFLY CONNFLY ELECTRONIC CO. LTD		
SCALE		1:1	SHEET 1 OF 1			
DRAWING NO.		C-DS1093-05-XXXXX-B				