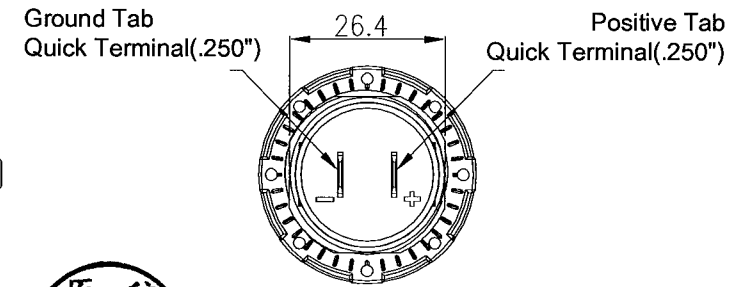
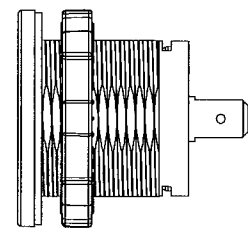
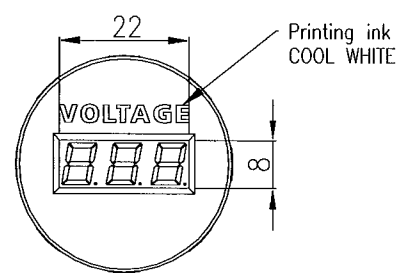
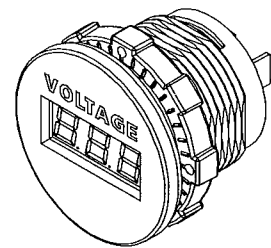
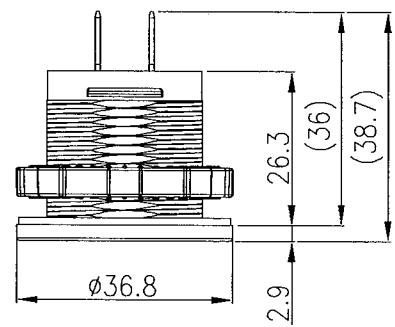
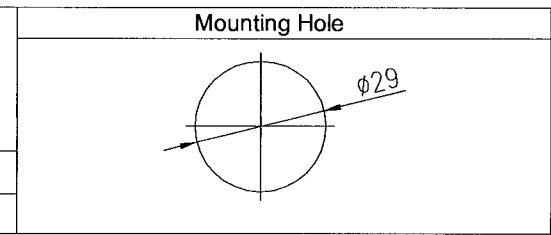


Rating	Input 6V-33V DC Voltage Tolerance: +/- 1% (0.1V @ 12V, 0.2V @ 24V) LED display. Reverse polarity protection Surge protection up to 400W/35V
Insulation Resistance	DC 500V 100M Ω Min.
Operating Temperature	-20 $^{\circ}$ C~50 $^{\circ}$ C



原稿
2016.1.05
研發部

Tolerances ± 0.3 Unless Otherwise Specified

Drawn	Checked	Approved	SCI BOM No.	1570001	Model Name	DC Voltmeter	
Rock Hsu	研發部 105.1.04 蘇承民	蘇承民	Customer No.		Model No.	A25-1-BB3-R	Rev.
Date	Name	Description	No.	12/31/15	Unit	mm	0
					Shin Chin Industrial Co., Ltd.		