



CorePro LEDbulb

CorePro LEDbulb ND 10-75W A60 E27 840

CorePro LEDbulbs are compatible with existing fixtures with an E27 or B22 holder and are designed for retrofit replacement of incandescent bulbs. They deliver huge energy savings and minimize maintenance cost.

Product data

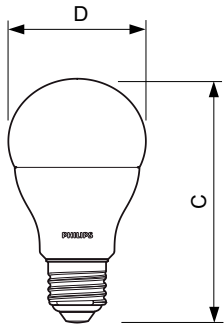
General Information	
Cap-Base	E27 [E27]
RoHS mark	RoHS mark
Nominal Lifetime (Nom)	15000 h
Switching Cycle	50000X
Technical Type	10-75W
Light Technical	
Colour Code	840 [CCT of 4000K]
Beam Angle (Nom)	200 °
Luminous Flux (Nom)	1055 lm
Luminous Flux (Rated) (Nom)	1055 lm
Colour Designation	Cool White (CW)
Colour Temperature, horizontal (Nom)	4000 K
Luminous Efficacy (rated) (Nom)	105.00 lm/W
Color Consistency	<6
Colour Rendering Index horiz (Nom)	80
LLMF At End Of Nominal Lifetime (Nom)	70 %
Operating and Electrical	
Input Frequency	50 to 60 Hz
Power (Rated) (Nom)	10 W
Lamp Current (Nom)	95 mA
Wattage Equivalent	75 W

Starting Time (Nom)	0.5 s
Warm Up Time to 60% Light (Nom)	0.5 s
Power Factor (Nom)	0.5
Voltage (Nom)	220-240 V
Temperature	
T-Case Maximum (Nom)	80 °C
Controls and Dimming	
Dimmable	No
Mechanical and Housing	
Bulb Finish	Frosted (FR)
Approval and Application	
Energy Efficiency Label	A+
Energy Consumption kWh/1000 h	10 kWh
Product Data	
Full product code	871869651032200
Order product name	CorePro LEDbulb ND 10-75W A60 E27 840
EAN/UPC - Product	8718696510322
Order code	51032200
Numerator - Quantity Per Pack	1

CorePro LEDbulb

Numerator - Packs per outer box	10
Material Nr. (12NC)	929001234802
Net Weight (Piece)	0.076 kg

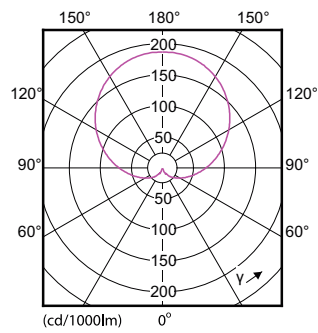
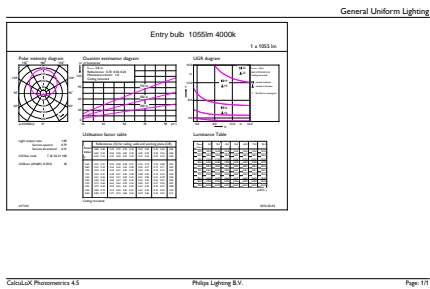
Dimensional drawing



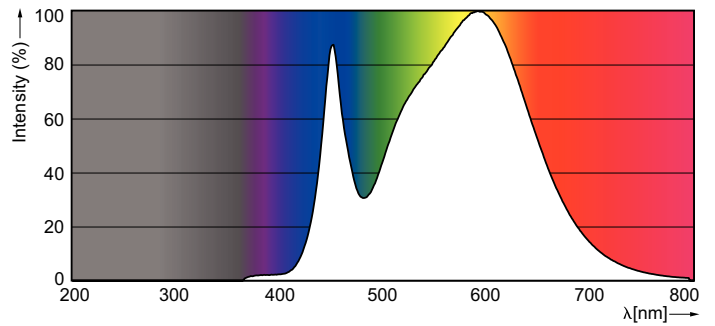
Entry bulb 230V 10.5W-75W 4000K E27 ND

Product	D	C
CorePro LEDbulb ND 10-75W A60 E27 840	60 mm	110 mm

Photometric data



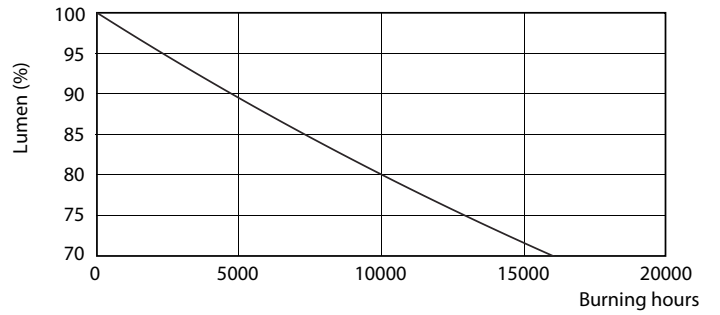
CorePro LEDbulb ND 10-75W A60



A60 /840 FR

CorePro LEDbulb

Lifetime



LEDbulb 100W E27 840 FR A60

LEDbulb 100W E27 840 FR A60

