



CorePro LEDbulbs

LED Globe 120W G120 E27 WW 230V ND 1CT/4

CorePro LEDbulbs are compatible with existing fixtures with an E27 or B22 holder and are designed for retrofit replacement of incandescent bulbs. They deliver huge energy savings and minimize maintenance cost. The CorePro LED bulb is the perfect bulb for your basic lighting needs. It provides the beautiful light and dependable performance you expect from LED at an affordable price.

Product data

General Information	
Cap-Base	E27 [E27]
Nominal Lifetime (Nom)	15000 h
Switching Cycle	50000X
Technical Type	18-120W
Light Technical	
Color Code	827 [CCT of 2700K]
Beam Angle (Nom)	200 °
Luminous Flux (Nom)	2000 lm
Luminous Flux (Rated) (Nom)	2000 lm
Color Designation	Warm White (WW)
Correlated Color Temperature (Nom)	2700 K
Luminous Efficacy (rated) (Nom)	111.00 lm/W
Color Consistency	<6
Color Rendering Index (Nom)	80
LLMF At End Of Nominal Lifetime (Nom)	70 %
Operating and Electrical	
Input Frequency	50 to 60 Hz
Power (Rated) (Nom)	18 W
Lamp Current (Nom)	105 mA

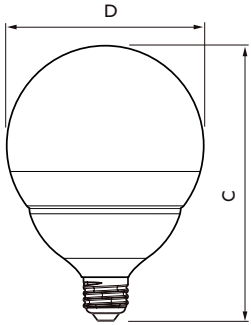
Starting Time (Nom)	0.5 s
Warm Up Time to 60% Light (Nom)	0.5 s
Power Factor (Nom)	0.7
Voltage (Nom)	220-240 V
Temperature	
T-Case Maximum (Nom)	76 °C
Controls and Dimming	
Dimmable	No
Mechanical and Housing	
Bulb Finish	Frosted
Approval and Application	
Energy Efficiency Label (EEL)	A+
Suitable For Accent Lighting	No
Energy Consumption kWh/1000 h	18 kWh
Product Data	
Full product code	871869656759300
Order product name	LED Globe 120W G120 E27 WW 230V ND 1CT/4

CorePro LEDbulbs

EAN/UPC - Product	8718696567593
Order code	929001229801
Numerator - Quantity Per Pack	1
Numerator - Packs per outer box	4

Material Nr. (12NC)	929001229801
Net Weight (Piece)	0.165 kg

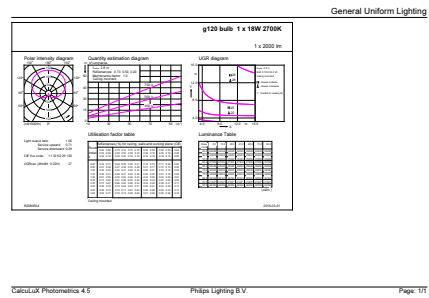
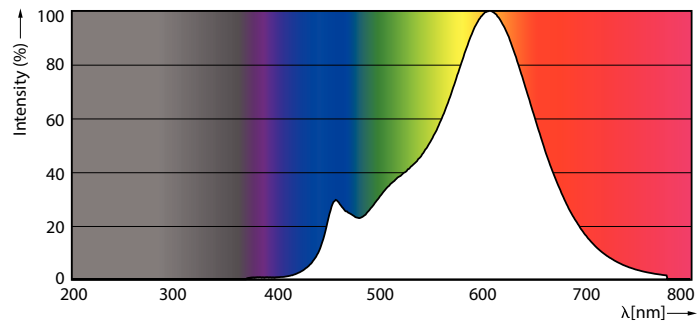
Dimensional drawing



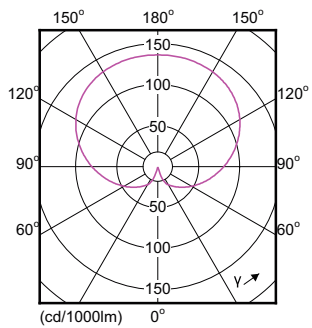
bulb 100-240V 20W-120W2000lm 2700K E27ND

Product	D	C
LED Globe 120W G120 E27 WW 230V ND 1CT/4	120 mm	168 mm

Photometric data



LEDGlobe 120W G120 E27 827 FR 2000lm ND



CorePro LEDbulbs

