



CorePro LEDspot LV

CorePro LED spot ND 5-35W MR16 827 36D

CorePro LEDspots are a perfect fit for spot lighting and deliver warm halogen-like light. They are compatible with most existing fixtures with MR16 GU5.3 holders and are designed as a retrofit replacement for halogen or incandescent spots. LEDlamps deliver huge energy savings and minimize maintenance cost.

Product data

General Information	
Cap-Base	GU5.3 [GU5.3]
RoHS mark	RoHS mark
Nominal Lifetime (Nom)	15000 h
Switching Cycle	50000X
Technical Type	5-35W
Light Technical	
Colour Code	827 [CCT of 2700K]
Beam Angle (Nom)	36 °
Luminous Flux (Nom)	345 lm
Luminous Flux (Rated) (Nom)	345 lm
Luminous Intensity (Nom)	650 cd
Colour Designation	Warm White (WW)
Rated Beam Angle	36 °
Colour Temperature, horizontal (Nom)	2700 K
Luminous Efficacy (rated) (Nom)	69.00 lm/W
Color Consistency	<6
Colour Rendering Index horiz (Nom)	80
LLMF At End Of Nominal Lifetime (Nom)	70 %
Luminous Flux in 90° Cone (Rated)	345 lm

Operating and Electrical	
Power (Rated) (Nom)	5 W
Lamp Current (Nom)	575 mA
Wattage Equivalent	35 W
Starting Time (Nom)	0.5 s
Warm Up Time to 60% Light (Nom)	0.5 s
Power Factor (Nom)	0.6
Voltage (Nom)	12 V

Temperature	
T-Case Maximum (Nom)	82 °C

Controls and Dimming	
Dimmable	No

Approval and Application	
Energy Efficiency Label	A+
Suitable For Accent Lighting	Yes
Energy Consumption kWh/1000 h	6 kWh

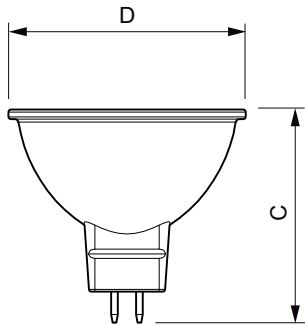
Product Data	
Full product code	871869671063000
Order product name	CorePro LED spot ND 5-35W MR16 827 36D

CorePro LEDspot LV

EAN/UPC - Product	8718696710630
Order code	71063000
Numerator - Quantity Per Pack	1
Numerator - Packs per outer box	10

Material Nr. (12NC)	929001344302
Net Weight (Piece)	0.045 kg

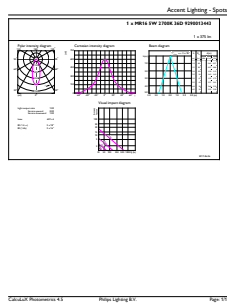
Dimensional drawing



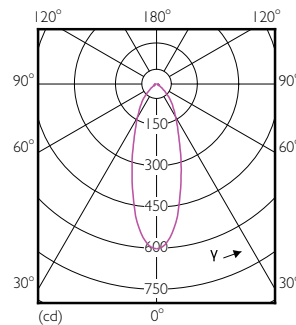
MR16 12V ACV 4.7-35W 390lm 36D 2700K ND

Product	D	C
CorePro LED spot ND 5-35W MR16 827 36D	51 mm	46 mm

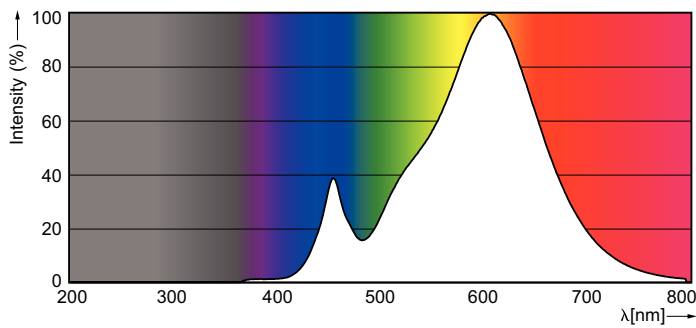
Photometric data



CorePro LEDspotLV 35W GU5-3 827 36D



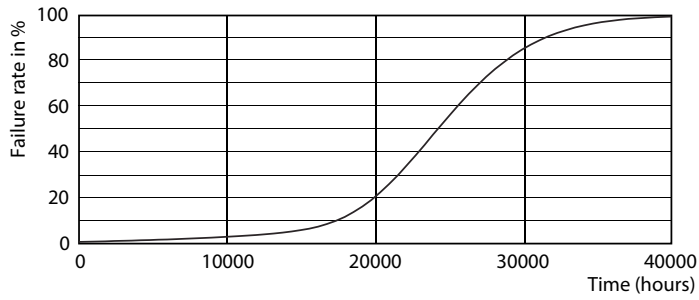
CorePro LEDspotLV 35W GU5-3 827 36D



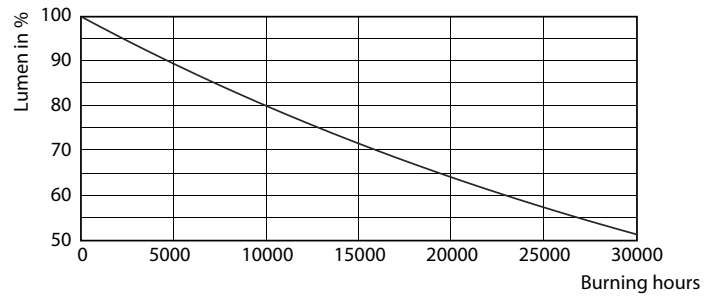
VLE D 6.3-35 W GU5.3 /827 MR16

CorePro LEDspot LV

Lifetime



CorePro LEDspotLV 20W GU5-3 827 36D



CorePro LEDspotLV 20W GU5-3 827 36D

