

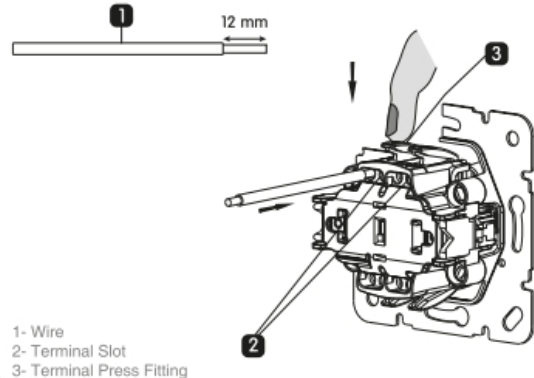
Panasonic®

Thea Blu

One-Way Switch User Manual

SCREWLESS TERMINAL - WIRING

Strip the wire (1) for 12mm so that the conductor part does not remain exposed and insert the conductor part to the terminal slot (2) by pushing the terminal press fitting (3). After the wire is placed into the terminal slot (2), release the terminal press fitting (3) to complete the wire assembly. By rotating the wire, ensure that it's securely inserted in its place.

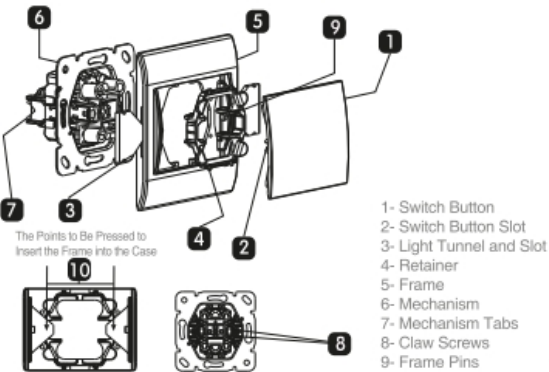


- 1- Wire
- 2- Terminal Slot
- 3- Terminal Press Fitting

1

INSTALLATION

Place the mechanism (6) into the case by loosening the claw screws (8). Tighten the claw screws (8) proportionally and secure the mechanism (6) in the case. Insert the retainer (4) on the frame (5). Push and insert the frame (5) into the light tunnel slot (3). Place the frame (5) on the mechanism (6) secured and apply pressure and insert as shown in (10). Press and place the switch button slots (2) as to align with frame pins (9) and complete the installation.



2

OPERATING PRINCIPLE

- Select the switch position on the rear cover according to the type of the lamp to be controlled by the product as given in Figure (1).
- In case of the fluorescent lamps and compact fluorescent lamps, set the switch to (fluorescent) position to turn on LEDs, pulled the neutral N terminals. (In this position, LEDs will be on all the time in each position.)
- In case of incandescent lamps, halogen lamps and low-voltage halogen lamps, set the switch to (lamp) position to turn on LEDs.
- If it's desired not use LEDs, set the switch to (fluorescent) position without neutral connection.

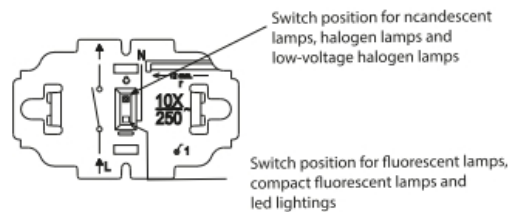


Figure (1)

3

TECHNICAL SPECIFICATIONS

- 10 AX, 250 V -
- Screwless Terminal

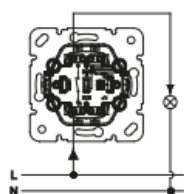
Copper wire sections used for socket connections according to the relevant standards.

Rated current	Nominal section	Biggest conductor diameter	Biggest flexible conductor diameter
10A	1 mm ² - 2,5 mm ²	2,13 mm	2,21 mm

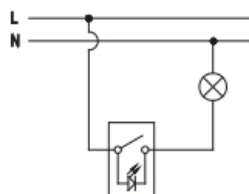
OPERATING PRINCIPLE

Enables that a lamp or a lamp group is controlled from a point.

CONNECTION DIAGRAM



CIRCUIT DIAGRAM



4

WARRANTY CONDITIONS

- Warranty period starts as of the delivery date of the product and it is 2 years.
- Warranty covers the malfunctions likely to occur due to the manufacturing defects of the product and within the warranty period.
- The product including all of its parts is under warranty as a whole. If the product turns out to be defective, the consumer can use one of the following rights stipulated in Article 11 of Consumer Protection Law no. 6502.
 - a- Withdrawal from the contract
 - b- Demanding discount from sales fee
 - c- Demanding free repair.
 - d- Demanding the replacement of the sold one with a fungible one free from defects.
- In case the consumer chooses the right of free repair among those rights; the dealer is obliged to repair the product or have the product repaired without claiming any fee under the name of replaced part fee, labor cost or for any other reasons. The consumer can also use the right of free repair against the manufacturer or exporter. The dealer, manufacturer and exporter are jointly and severally liable for the usage of this right by the consumer.
- In case the consumer uses the right of free repair and if the product
 - fails within the warranty period again and
 - the maximum period required for the repair is exceeded and
 - Authorized service station, dealer, manufacturer or exporter state that it's not possible to repair the product in a report, the consumer can demand the return of the product fee, fee discount at the ratio of the defect or the replacement with the one free of defects, if possible, from the dealer. The dealer can not reject the demand of the consumer. In case this demand is not met, the dealer, manufacturer and exporter shall jointly and severally be held responsible.
- The repair period of the product can not exceed 20 business days. This period starts on the notification of the failure on the product to the authorized service station or the dealer within the warranty period and from the date of delivery of the product to the authorized service station out of warranty period. In case of not eliminating the product malfunction within 10 business days, manufacturer or importer is obliged to dedicate another product with similar characteristics to the use of the consumer until the completion of the product repair. In case the product fails within the warranty period, elapsed time is added to the warranty period.
- Usage of the product contrary to the rules stipulated in user's manual, operating out of determined voltage, current and environmental conditions, damage on the cable connection due to the user's fault and failure of the product due to the facts arising from the fire, flood, earthquake, lightning and similar disasters are not under warranty.
- The consumer can apply to the arbitration committee for consumers or the consumer court where the consumer operations are made or in the residential area for the disputes to be occurred regarding the usage of the rights arising from the warranty.
- In case the dealer doesn't provide this certificate of warranty, the consumer can apply to the General Directorate of Consumer Protection and Market Surveillance of Ministry of Customs and Trade

5