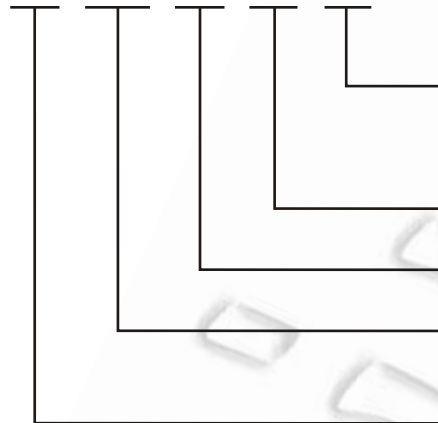




Specification:

Contact: Brass (CuZn), Cu/Ni, tin plated
 Terminal screw: Steel galvanized and chromated
 Insulator: Poly Butylene, Terephthlene,
 PBT (30% Glass Filled) (UL94V-0)
 Operating temperature: -30°C to 120°C
 Current rating: 16 A
 Resistance to tracking: 5 MW
 Dielectric strength: 2500 V
 Insulation withstanding voltage: 1500 VAC min.
 Rated voltage: 300 V

TB-5.0-PP-2P-BL



Colour:

BL - blue
 GY - gray
 BK - black

No. of Poles:

N - max. 24

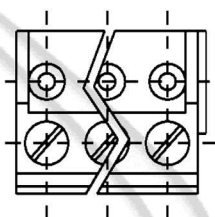
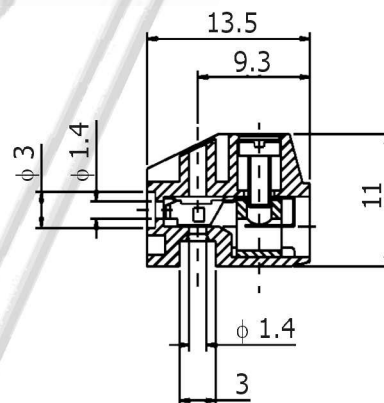
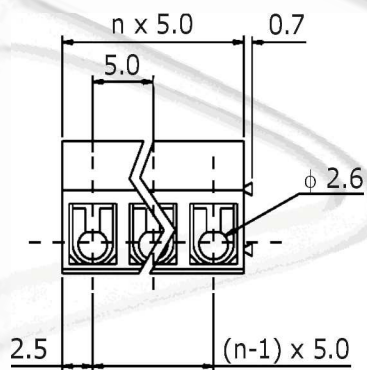
Front Wire Inlet Type:

PP - Screw on Top, Pluggable

Pitch:

5.0 - 5.0 mm
 10 - 10.0 mm

Terminal Block



Recommended PCB holes diameter: ϕ 1.5 mm



Specification:

Pins: Brass, Nickel and Tin plated
Insulator body: Polyamide, PA66 (UL94V-0)

TB-5.0-PIN-24

No. of Pins:

N - max. 24

Pin Header Strip

Pitch:

5.0 - 5.0 mm

10 - 10.0 mm

Terminal Block

