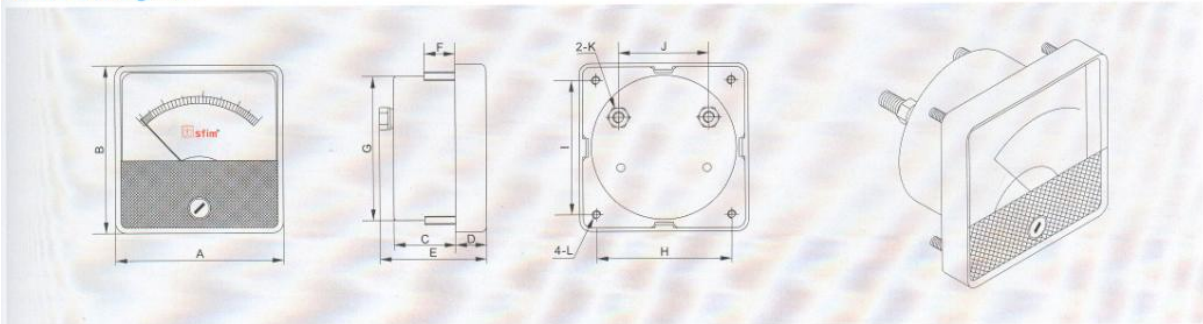


Square or Rectangular Panel Meter



Model	Name	Specification	Accuracy
SF-80 SF-670 SF-60 SF-50	AC Ammeter	From 10A, 15A, 20A, 30A... to 3000A, 5000A	With Ext. CT/1A or 5A
		From 0.1A, 0.5A, 1A, 5A, 10A, 25A... to 80A, 100A	AC Direct Connection
	DC Ammeter	From 50 μ A, 100 μ A, 1mA, 5mA... 1A, 5A, 10A, 25A, 30A... to 100A	DC Direct Connection
		From 10A, 15A, 20A, 30A... 2500A, 3000A... to 8KA, 10KA	With Ext. Shunt 50mV, 60mV, 75mV
	AC Voltmeter	From 30V, 50V, 75V, 100V... to 300V, 500V, 600V	AC Direct Connection
		From 1KV, 2KV, 5KV... to 380KV, 450KV	With Ext. PT
	DC Voltmeter	From 10V, 20V, 30V... to 500V, 600V, 1000V	DC Direct Connection
		From 1KV, 2KV, 5KV... to 8KV, 9KV, 10KV	With Ext. Resistor
Frequency Meter	Voltage: 110V, 220V, 380V, 440V	
Power Factor Meter (cos ϕ)	Frequency: 45-65Hz, 45-65Hz, 55-65Hz, 47-53Hz	For 1-Phase or 3-Phase	
Power Meter (KW or VAR)	Voltage: 110V, 220V, 380V, 440V Current: 1A or 5A		
		Scale: 0.5cap-1-0.5ind, 0.3cap-1-0.1ind, 0.7cap-1-0.2ind	Class: 2.5
		Voltage: 110V, 220V, 380V, 440V Current: 1A or 5A	For 1P, 3P3W, 3P4W With CT or PT
			Class: 2.5

Outline Drawing unit:mm



Model	A	B	C	D	E	F	G	H	I	J	K	L
SF-80	80	80	23	13	49	13	63	65	65	24	M5 Outside	M3
SF-670	70	60	22	11	45	10	51	50	50	31	M4 Inside	M3
SF-60	60	60	22	11	39	11	51	48	48	25	M4 Inside	M3
SF-50	52	52	22	11	39	10	44	38	38	31	M4 Inside	M3