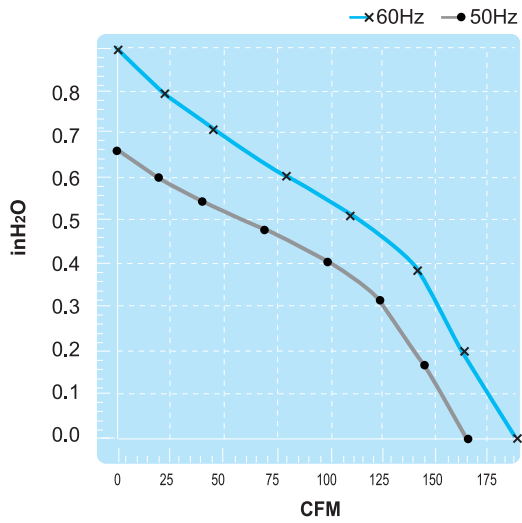
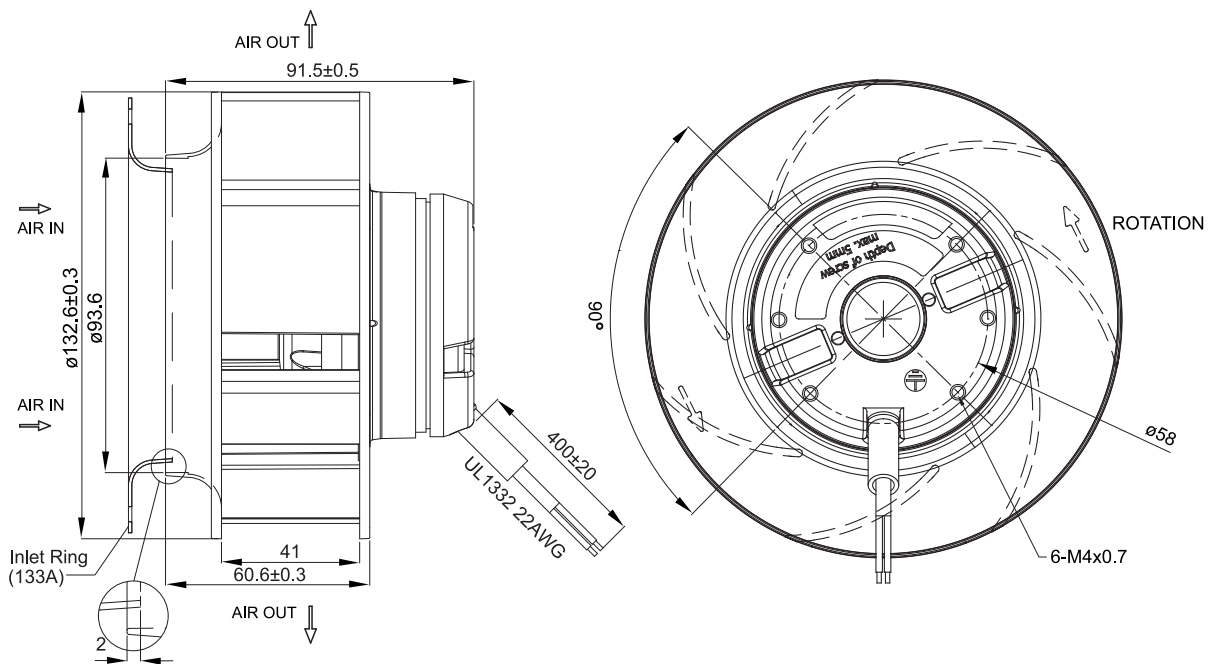


# UF133(91)APA Series

## (Centrifugal Fan)



### Thermal Protection



### Lead Wire Type



Spec.	Rated Voltage	Frequency	Input Power	Rated Current	Locked Current	Speed	Maximum Air Flow	Maximum Air Flow	Maximum Pressure	Maximum Pressure	Capacitor	Noise	Weight
Model	V	Hz	W	A	A	RPM	m <sup>3</sup> /min.	CFM	mmH <sub>2</sub> O	InchH <sub>2</sub> O	uF/V/DB	dB	kg
UF133(91)APA 11H1S2A	115V	50	38	0.50	0.83	2780	4.66	165	16.6	0.65	---	50	0.9
		60	37	0.43	0.72	3200	5.33	188	22.4	0.88	---	60	
UF133(91)APA 23H1S2A	230V	50	36	0.24	0.39	2780	4.66	165	16.6	0.65	---	50	0.9
		60	35	0.21	0.34	3200	5.33	188	22.4	0.88	---	60	