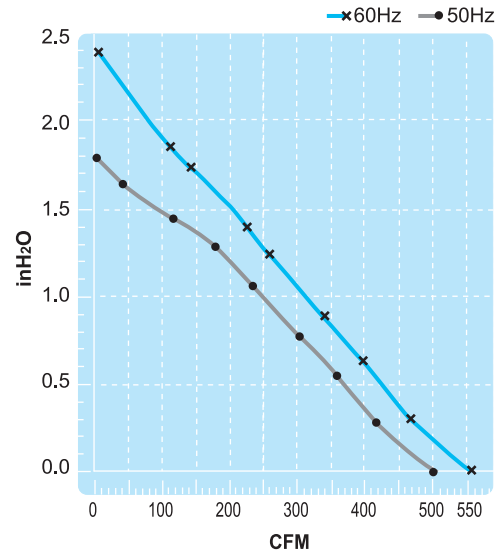
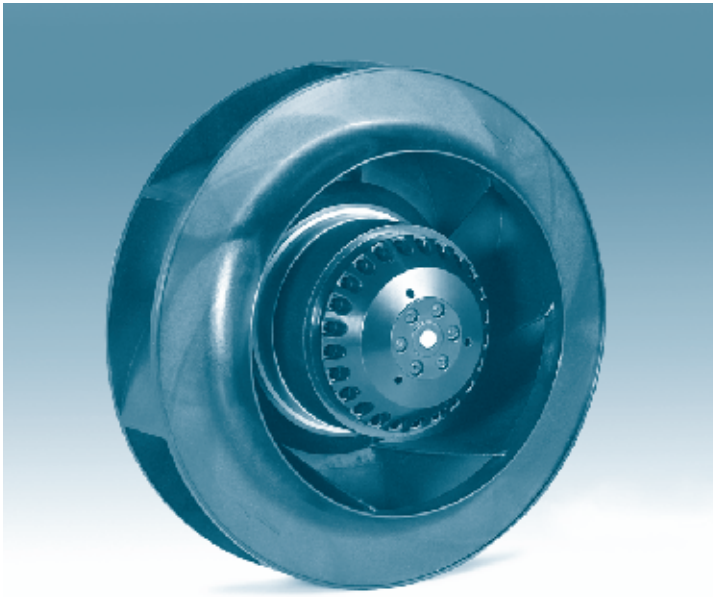
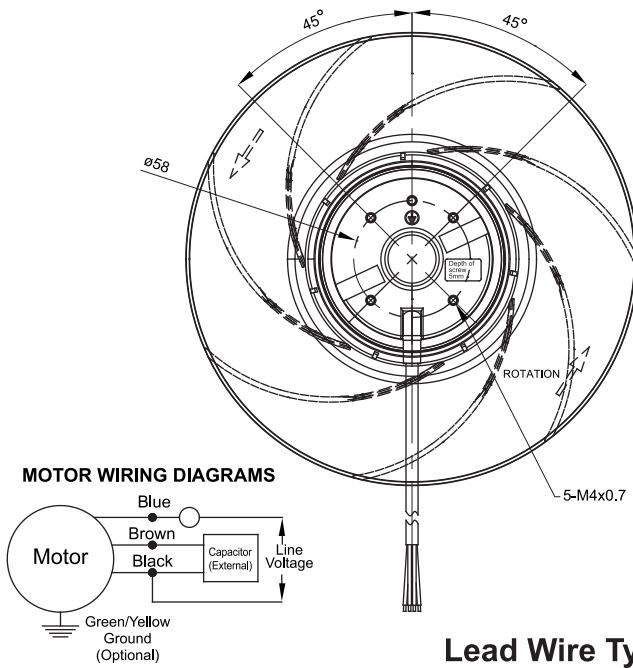
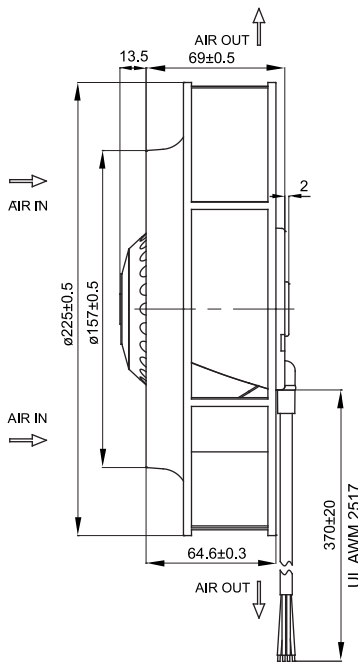


UF225(69)APA Series

(Centrifugal Fan)



Thermal Protection



Spec. Model	Rated Voltage V	Frequency Hz	Input Power W	Rated Current A	Locked Current A	Speed RPM	Maximum Air Flow m ³ /min.	Maximum Air Flow CFM	Maximum Pressure mmH ₂ O	Maximum Pressure InchH ₂ O	Capacitor μF/VDB	Noise dB	Weight kg
UF225(69)APA 11H1C2A	115V	50	105	1.11	2.22	2650	14.2	500	46	1.8	12/250	70	2.3
		60	125	1.12	2.30	2950	15.6	550	58	2.3		72	
UF225(69)APA 23H1C2A	230V	50	105	0.54	1.14	2650	14.2	500	46	1.8	3/450	70	2.3
		60	125	0.56	1.15	2950	15.6	550	58	2.3		72	