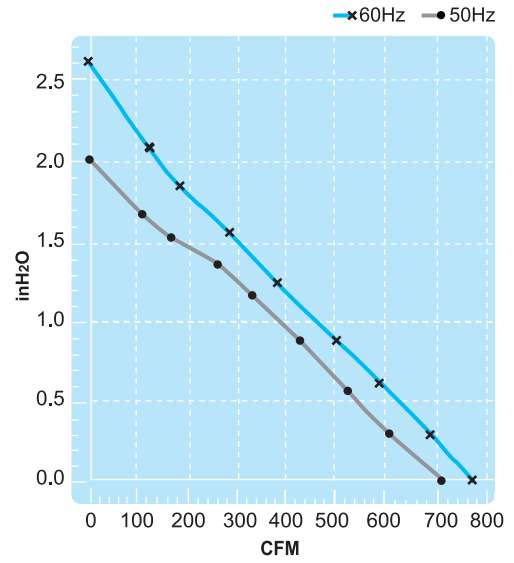
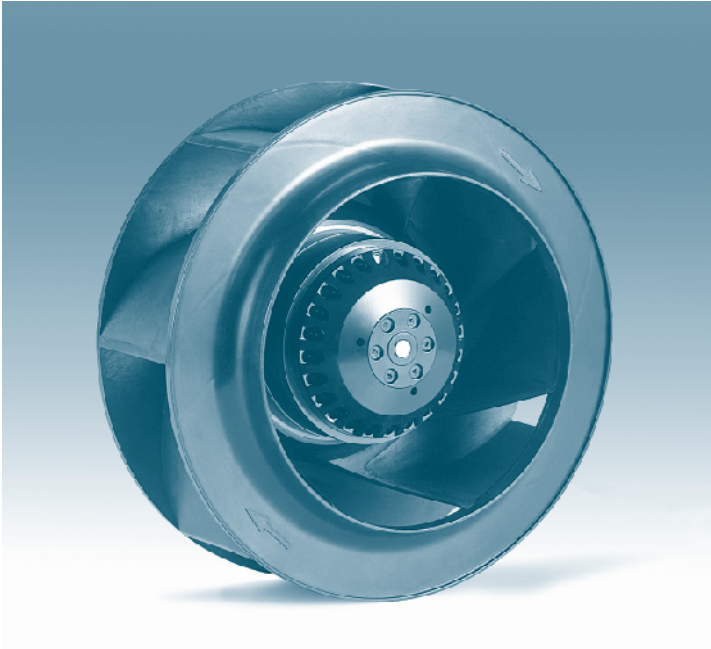
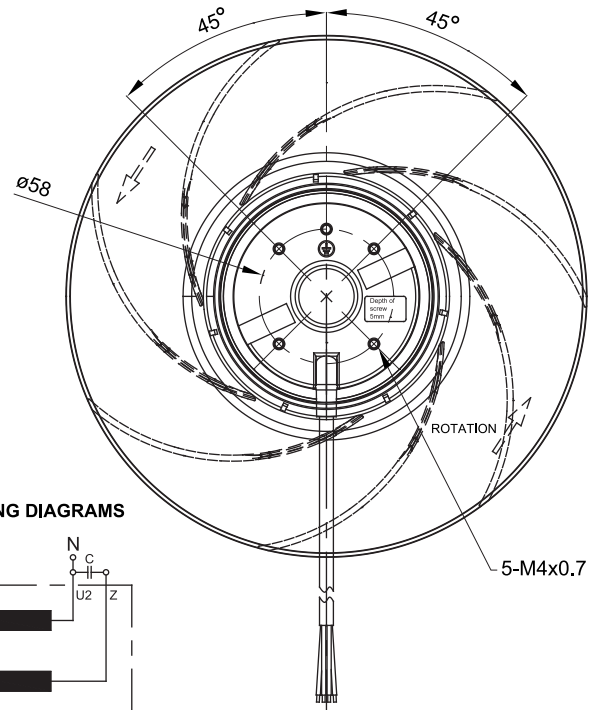
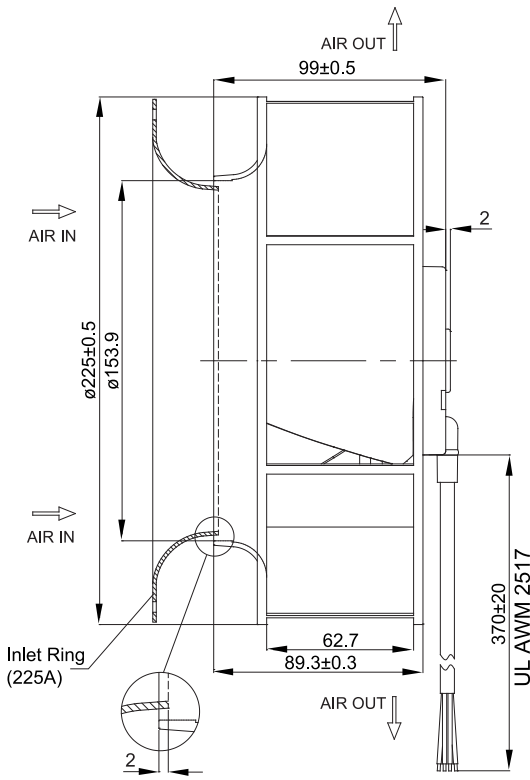


# UF225(99)APA Series

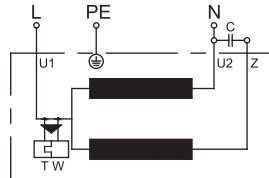
## (Centrifugal Fan)



### Thermal Protection



### MOTOR WIRING DIAGRAMS



U1=Blue  
U2=Black  
Z=Brown  
⊕=Green, Yellow.

### Lead Wire Type



Spec.	Rated Voltage	Frequency	Input Power	Rated Current	Locked Current	Speed	Maximum Air Flow	Maximum Air Flow	Maximum Pressure	Maximum Pressure	Capacitor	Noise	Weight
Model	V	Hz	W	A	A	RPM	m <sup>3</sup> /min.	CFM	mmH <sub>2</sub> O	InchH <sub>2</sub> O	μF/VDB	dB	kg
UF225(99)APA 11H1C2A	115V	50	128	1.16	2.22	2650	20	700	51	2.0	16/250	69	2.3
		60	160	1.41	2.30	2950	22	770	66	2.6		71	
UF225(99)APA 23H1C2A	230V	50	126	0.57	1.14	2650	20	700	51	2.0	4/450	69	2.3
		60	157	0.70	1.15	2950	22	770	66	2.6		71	