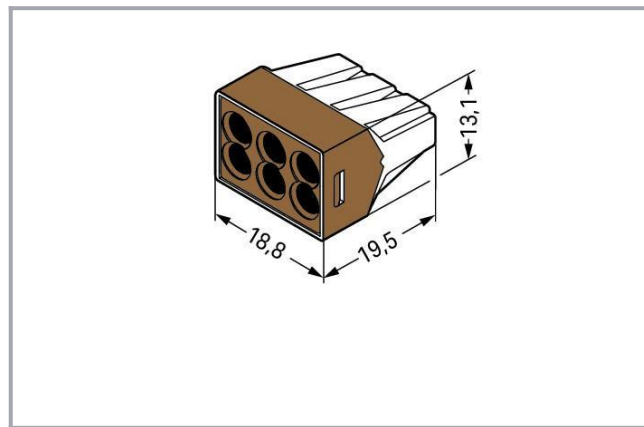
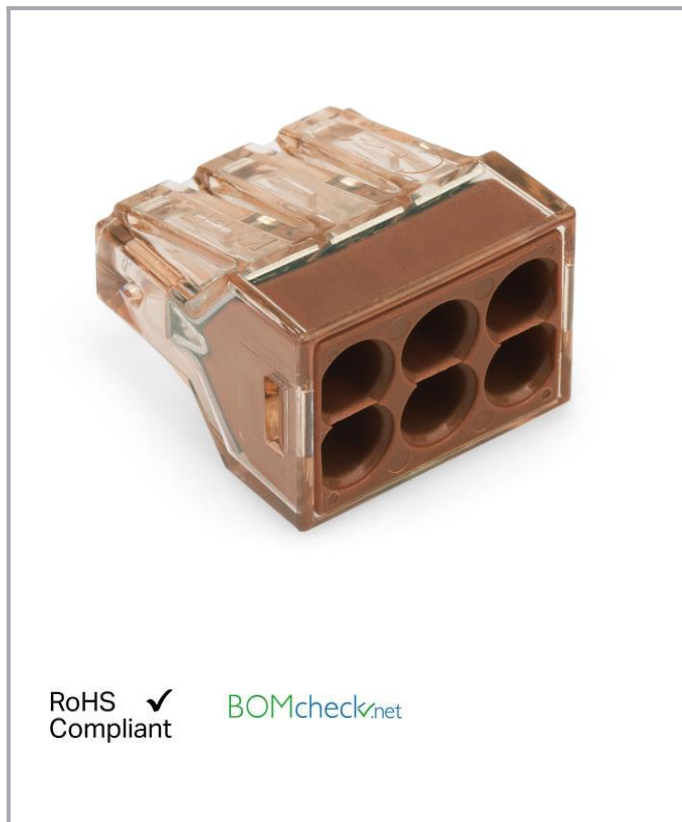


Data sheet | Item number: 773-606

PUSH WIRE® connector for junction boxes; for solid conductors; max. 4 mm<sup>2</sup>;  
6-conductor; Brown clear housing; brown cover; Surrounding air  
temperature: max 60°C; 2,50 mm<sup>2</sup>



### Item description

Note:

Terminating Aluminum Conductors

WAGO spring clamp terminal blocks are suitable for solid aluminum conductors up to 4 mm<sup>2</sup>/ 12 AWG if WAGO "Alu-Plus" Contact Paste is used for termination.

"Alu-Plus" Contact Paste Advantages:

- Automatically destroys the oxide film during clamping.
- Prevents fresh oxidation at the clamping point.
- Prevents electrolytic corrosion between aluminum and copper conductors (in the same terminal block).
- Provides long-term protection against corrosion.

Using terminal blocks with PUSH WIRE® Spring Pressure Connection Technology, aluminum conductors must first be cleaned with a blade and then immediately be inserted into the clamping units filled with “Alu-Plus” Contact Paste.

It is also possible to apply WAGO “Alu-Plus” additionally on the whole surface of the aluminum conductor before termination.

Please note that the nominal currents must be adapted to the reduced conductivity of the aluminum conductors:

2.5 mm<sup>2</sup> (14 AWG) = 16 A

4 mm<sup>2</sup> (12 AWG) = 22 A

## Data

### Electrical data

#### Ratings per IEC/EN 60664-1

Rated voltage (II / 2)	400 V
Rated impulse voltage (II / 2)	4 kV
Rated current	32 A
Legend (ratings)	(II / 2) $\triangle$ Overvoltage category II / Pollution degree 2

### Connection data

Connection technology	PUSH WIRE®
Actuation type	Push-in
Connectable conductor materials	Copper Aluminum
Strip length	12 mm / 0.47 inch
Total number of connection points	4
Total number of potentials	1
Type of wiring	Side-entry wiring

### Geometrical Data

Width	18.8 mm / 0.74 inch
Height	13.1 mm / 0.516 inch
Depth	19.5 mm / 0.768 inch

### Material Data

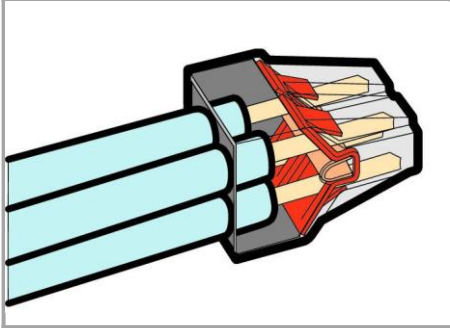
Cover color	brown
Flammability class per UL94	V2
Weight	3.5 g

### Environmental Requirements

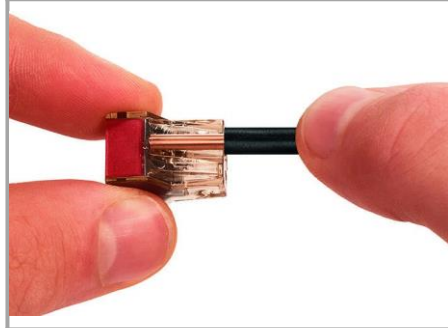
	Product Group	7 (Push)
	Packaging type	BOX
Surrounding air (operating) temperature	60 °C	
Continuous operating temperature	Country of origin	CN
	GTIN	40551
Commercial data	Customs Tariff No.	85369

## Installation Notes

### Inserting a conductor



PUSH WIRE® connector for junction boxes, 773 Series



Strip solid conductor to 12 mm (0.47 inch).



Termination: Insert stripped solid conductor until it hits backstop.

