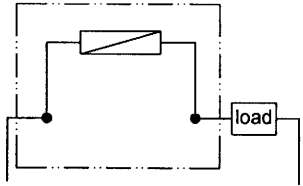
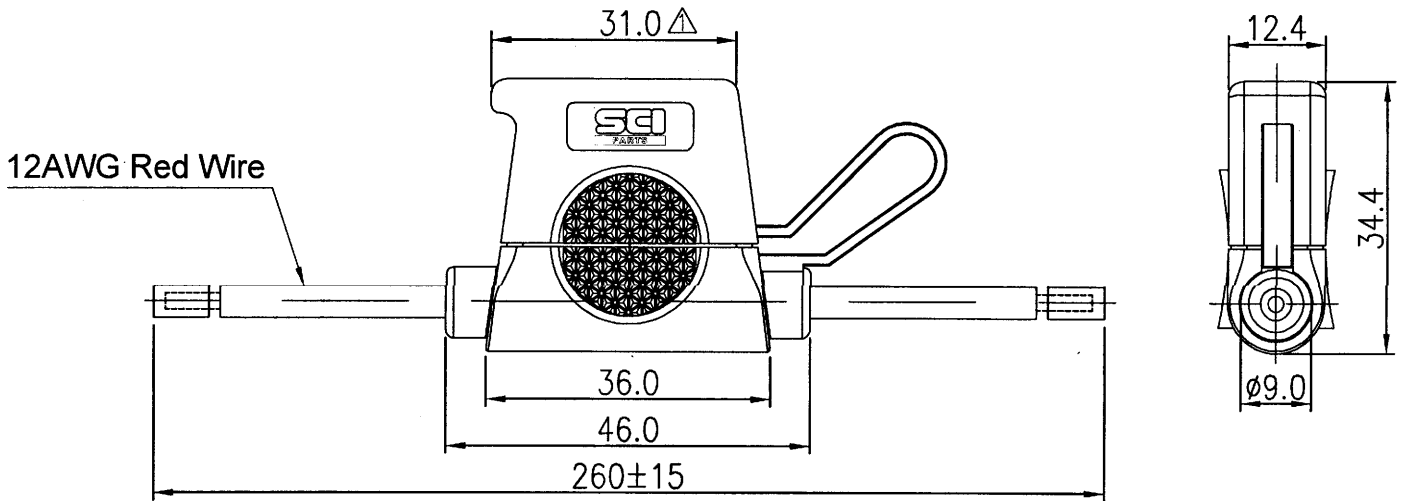
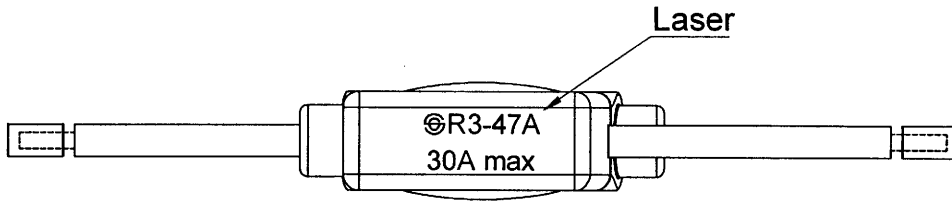


Rating	30A 32V DC	<p style="text-align: center;">Circuit Diagram</p> 
Insulation Resistance	DC 500V 100MΩ Min	
Dielectric Strength	AC 1000V 1 minute	
Fuse Type	BLADE FUSE	

Material:
 Body: Black, PVC(T105°C)
 Waterproof. IPX5 \triangle



Tolerance ± 0.5 except otherwise specified

07/13/'18	柳新強	依客人要求增加標示防水等級IPX5			\triangle	
10/31/'16	柳新強	為便於打開上蓋設計變更，尺寸27改為31			\triangle	
Date	Name	Description			NO	
Drawn	Checked	Approved	SCI BOM No.	1310220	Model Name	In-Line Fuse Holder
柳新強		<i>Shin</i>	Customer No.		Model No.	R3-47A
07/13/'18		7/13-18	Unit	mm	Shin Chin Industrial Co., Ltd.	
						Rev. X2