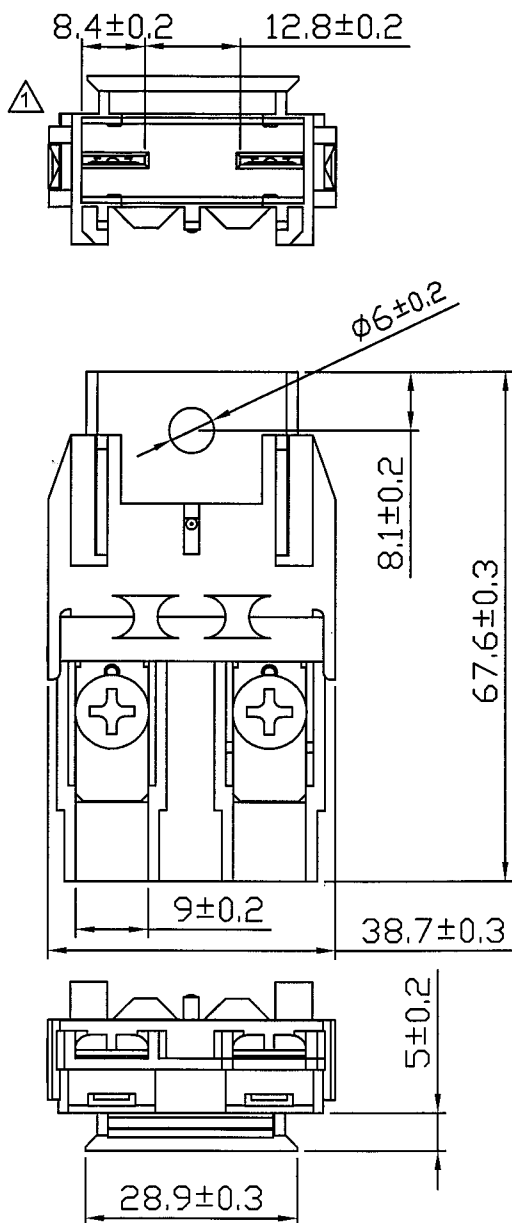
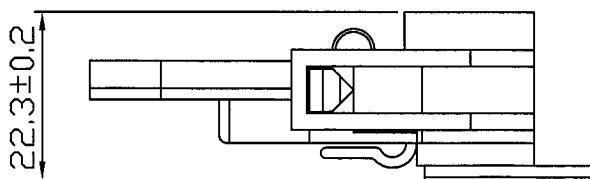
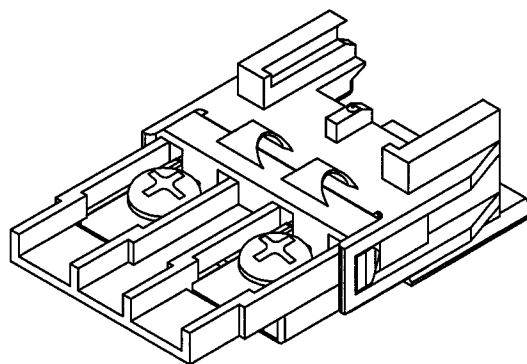


Rating	60A max 12/24/32VDC	MAXI Fuse Rating	
		Fuse Rating (colors)	Wire AWG
Insulation Resistance	DC 500V 100M ohm Min.	20A (Yellow)	12AWG
Dielectric Strength	AC 1000V 1 minute	30A (Green)	10AWG
Operation Temperature	-25°~85°	40A (Orange)	8AWG
		50A (Red)	8AWG
Fuse Type	MAXI FUSE	60A (Blue)	6AWG



Material:
 Frame: Nylon 66 FR7025, Black
 Terminal: Copper
 Nut: Nickel plated metal
 Screw: M5*0.8 L=5.8mm



05/22/14		曹盈芳		供兩款保險絲可通用, 依MCN#RD2013116修改圖面		△	
Date		Name		Description		No.	
Drawn	Checked	Approved	SCI BOM No.	1310322	Model Name	FUSE HOLDER	
曹盈芳	王冠	王冠	Customer No.		Model No.	R3-72	Rev.
05/22/14	5/2/14	5/2/14	Unit	mm	Shin Chin Industrial Co., Ltd.		1