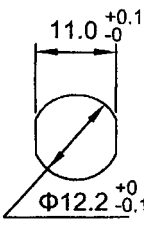
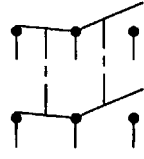
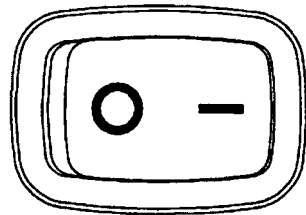
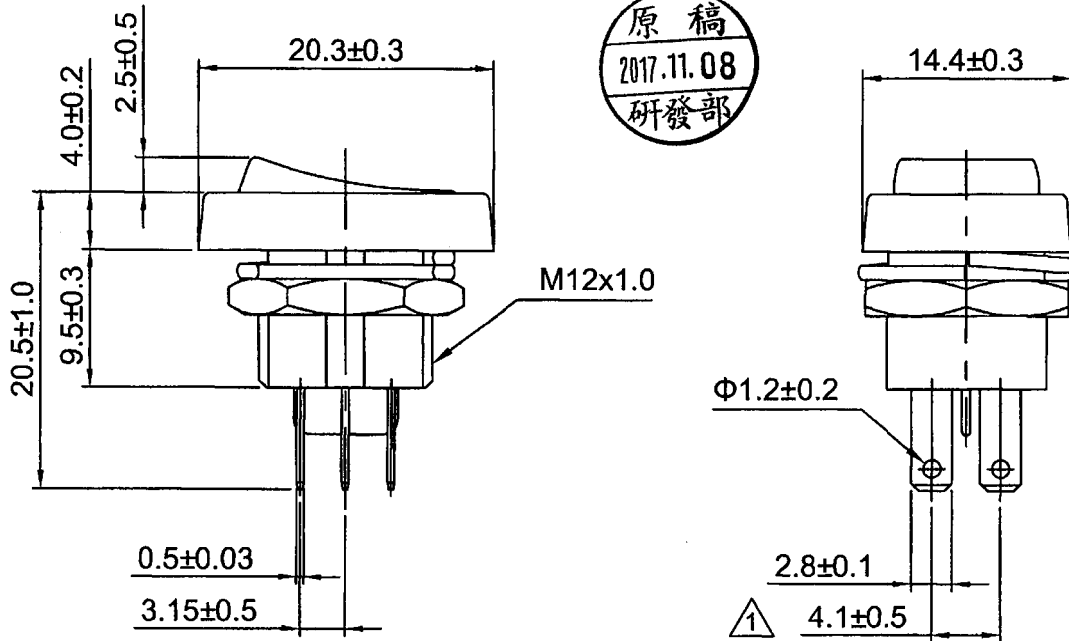


Rating	6A 125V, 3A 250V AC	Mounting Hole	Circuit Diagram
Contact Resistance	50m ohm Max.		
Insulation Resistance	DC 500V 100M ohm Min.		
Dielectric Strength	AC 1000V 1 minute		
Switch Function	6P DPDT ON-ON		



Material:
 Frame: Black, Nylon#66
 Actuator: Black, Nylon#66
 Printed: White, hot stamping



原稿
 2017.11.08
 研發部

1 - Tolerances ±0.3 Unless Otherwise Specified

10/25/17	曾敏捷	依現況兩端子中心尺寸由4.7修正為4.1				△
Date	Name	Description				NO
Drawing	Check	Approval	SCI BOM No.	1823813	Model Name	ROCKER SWITCH
曾敏捷	符平	Smcc	Customer No.		Model No.	R13-213B-03-BBNN Rev.
10/25/17	10/26/17	10/26/17	Unit	mm	SHIN CHIN INDUSTRIAL CO., LTD. 1	