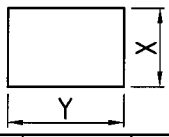
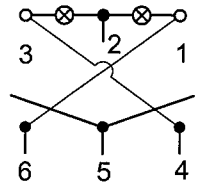
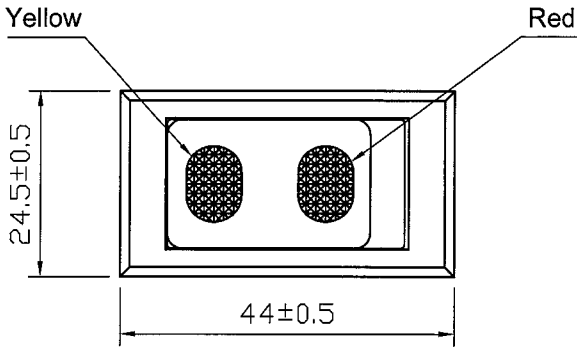
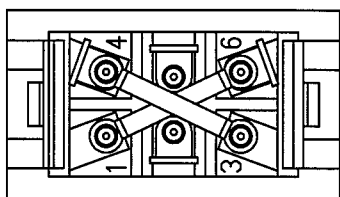
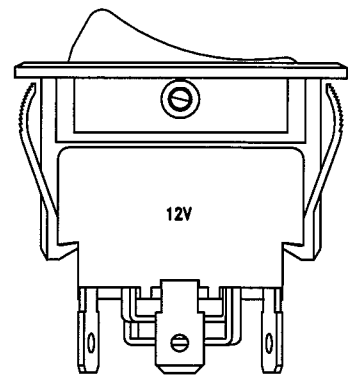
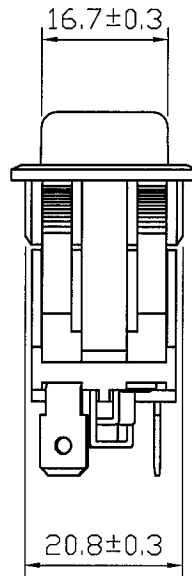
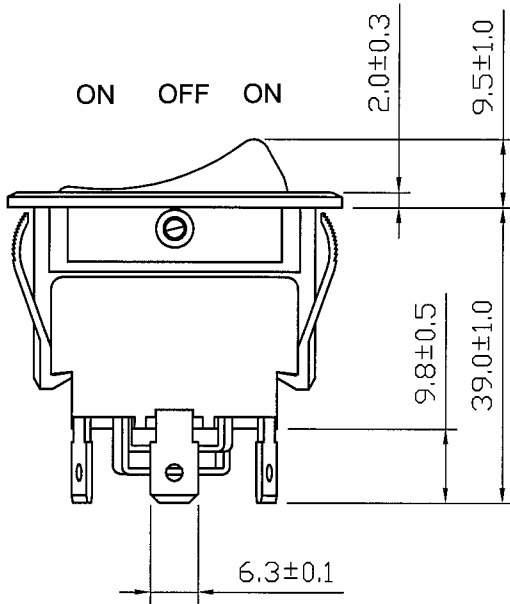


| | | | | | |
|-----------------------|-----------------------------------|--|----------|---|----------|
| Rating | 20A 12V DC | Mounting Hole | | Circuit Diagram | |
| Contact Resistance | 50m ohm Max. |  | | | |
| Insulation Resistance | DC 500V 100M ohm Min. | | |  | |
| Dielectric Strength | AC 1500V 1 minute | Thickness | X | | Y |
| Switch Function | 4P SPDT ON-OFF-ON(Bulb dependent) | 0.75~1.25 | 21.2+0.1 | | 37.3-0.1 |
| | | 1.25~2 | 21.2+0.1 | 37.5-0.1 | |
| | | 2~3 | 21.2+0.1 | 37.9-0.1 | |



Material:
 Frame: Nylon 66, Black
 Actuator: Nylon 66, Black
 Lens: PC, Red/Yellow
 Terminals: Brass alloy, Nickel Plated



Tolerances Unless Otherwise Specified ±0.3mm

| | | | | | | | | |
|----------|---------|-------------|--------------|---------|--------------------------------|---------------|------|---|
| | | | | | | | | △ |
| | | | | | | | | △ |
| Date | Name | Description | | | | | No. | |
| Drawn | Checked | Approved | SCI BOM No. | 1821185 | Model Name | ROCKER SWITCH | | |
| 曹盈芳 | | | Customer No. | | Model No. | R13-220BD-01 | Rev. | |
| 07/31/15 | | 7/31/15 | Unit | mm | Shin Chin Industrial Co., Ltd. | | 0 | |