
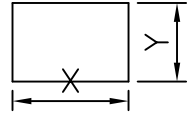
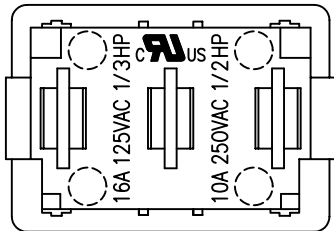
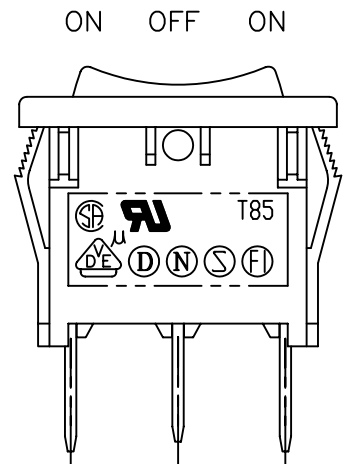
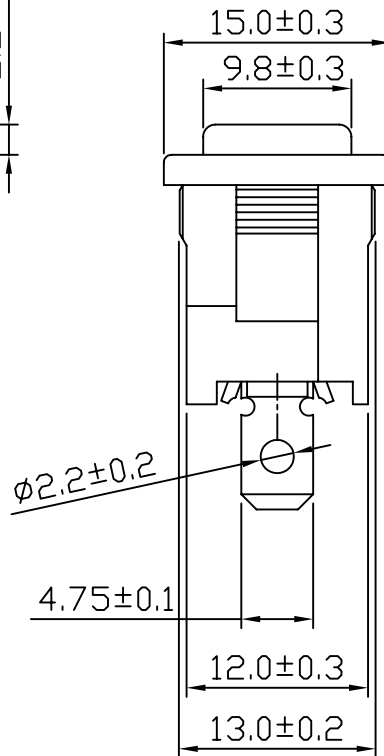
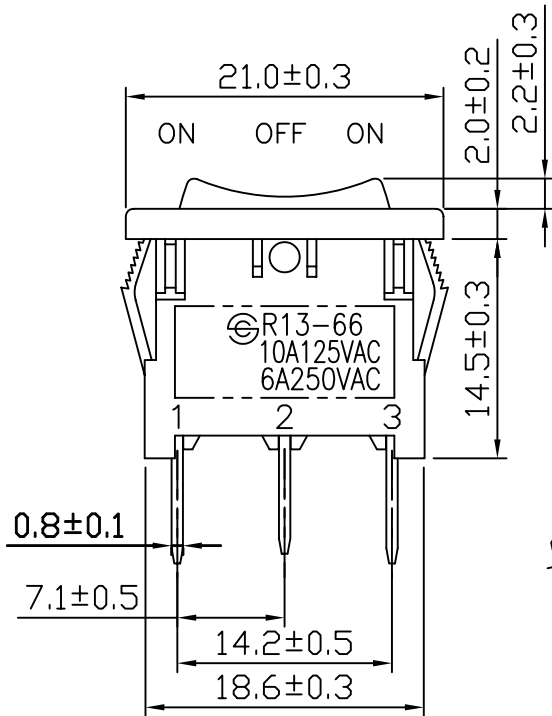
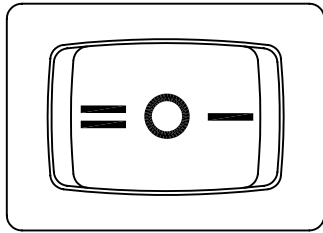



Rating	16A 125VAC 1/3HP 10A 250VAC 1/2HP		Mounting Hole	Circuit Diagram	
	10A 125V,6A 250V AC				
Contact R	50m ohm Max				
Insulation R	DC 500V 100M ohm Min.				
Dielectric Strength	AC 1500V 1 minute				
Operation Temperature	-20°C~+85°C		Thickness	X	Y
			0.75...1.25	19.2-0.1	13+0.1
			1.25...2	19.4-0.1	13+0.1
Circuit	3P SPDT ON-OFF-ON		2...3	19.8-0.1	13+0.1



C1\PDM\R13\R13-66D-02

									NO	
Date	Name	Descriptions								
Drawing	Check	Approval	SCI No.	1823579	Model Name	RDCKER SWITCH				
徐洲迎	李元生	李景煌	Customer No.		Model No.	R13-66D-02				
05/05/'06	05/09/'06	05/10/'06	Unit	mm	 SHIN CHIN INDUSTRIAL CO., LTD.					