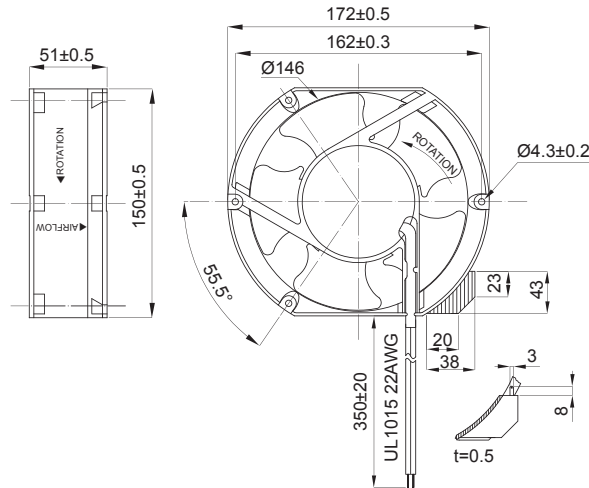
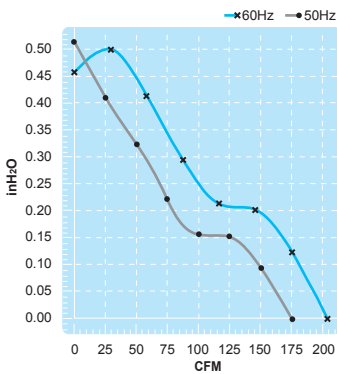


# UF15P Series

Size : 172 x 150 x 51  
Unit : mm



Impedance-Protected



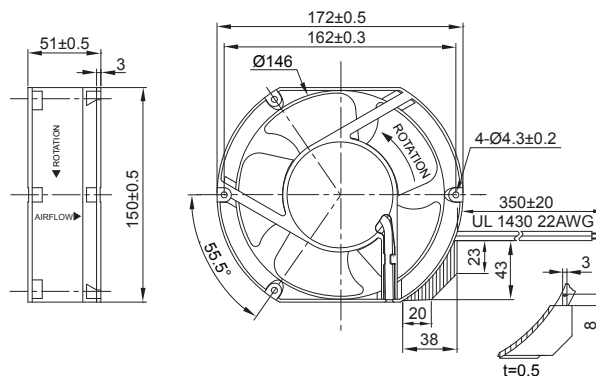
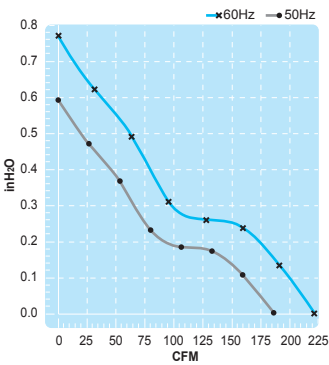
IP55

Terminal or Lead Wire Type

| Spec. Model | Rated Voltage V | Frequency Hz | Input Power W | Rated Current A | Locked Current A | Speed RPM | Maximum Air Flow m <sup>3</sup> /min. | Maximum Air Flow CFM | Maximum Pressure mmH <sub>2</sub> O | Maximum Pressure InchH <sub>2</sub> O | Noise dB | Weight kg |
|-------------|-----------------|--------------|---------------|-----------------|------------------|-----------|---------------------------------------|----------------------|-------------------------------------|---------------------------------------|----------|-----------|
| UF15P11-H   | 115             | 50           | 32            | 0.43            | 0.51             | 2750      | 4.8                                   | 170                  | 10.5                                | 0.42                                  | 50       | 0.9       |
|             |                 | 60           | 28            | 0.36            | 0.45             | 3100      | 5.5                                   | 195                  | 9.5                                 | 0.38                                  | 55       |           |
| UF15P23-H   | 230             | 50           | 35            | 0.23            | 0.29             | 2750      | 4.8                                   | 170                  | 10.5                                | 0.42                                  | 50       | 0.9       |
|             |                 | 60           | 30            | 0.18            | 0.25             | 3100      | 5.5                                   | 195                  | 9.5                                 | 0.38                                  | 55       |           |

# UF15P(C) Series

Size : 172 x 150 x 51  
Unit : mm



Thermally-Protected



IP55

Terminal or Lead Wire Type

| Spec. Model | Rated Voltage V | Frequency Hz | Input Power W | Rated Current A | Locked Current A | Speed RPM | Maximum Air Flow m <sup>3</sup> /min. | Maximum Air Flow CFM | Maximum Pressure mmH <sub>2</sub> O | Maximum Pressure InchH <sub>2</sub> O | Noise dB | Weight kg |
|-------------|-----------------|--------------|---------------|-----------------|------------------|-----------|---------------------------------------|----------------------|-------------------------------------|---------------------------------------|----------|-----------|
| UF15PC10-H  | 100             | 50           | 30            | 0.33            | 0.50             | 2850      | 5.8                                   | 205                  | 16                                  | 0.63                                  | 53       | 0.8       |
|             |                 | 60           | 30            | 0.29            | 0.52             | 3400      | 6.4                                   | 226                  | 20                                  | 0.79                                  | 58       |           |
| UF15PC11-H  | 115             | 50           | 31            | 0.26            | 0.41             | 2850      | 5.8                                   | 205                  | 16                                  | 0.63                                  | 53       | 0.8       |
|             |                 | 60           | 31            | 0.25            | 0.43             | 3400      | 6.4                                   | 226                  | 20                                  | 0.79                                  | 58       |           |
| UF15PC20-H  | 200             | 50           | 29            | 0.15            | 0.23             | 2850      | 5.8                                   | 205                  | 16                                  | 0.63                                  | 53       | 0.8       |
|             |                 | 60           | 29            | 0.14            | 0.25             | 3400      | 6.4                                   | 226                  | 20                                  | 0.79                                  | 58       |           |
| UF15PC23-H  | 230             | 50           | 29            | 0.12            | 0.19             | 2850      | 5.8                                   | 205                  | 16                                  | 0.63                                  | 53       | 0.8       |
|             |                 | 60           | 29            | 0.12            | 0.19             | 3400      | 6.4                                   | 226                  | 20                                  | 0.79                                  | 58       |           |
| UF15PC11-L  | 115             | 50           | 31            | 0.17            | 0.21             | 1400      | 2.5                                   | 88                   | 3.8                                 | 0.15                                  | 31       | 0.8       |
|             |                 | 60           | 31            | 0.15            | 0.20             | 1700      | 3.0                                   | 106                  | 5.5                                 | 0.22                                  | 37       |           |
| UF15PC23-L  | 230             | 50           | 29            | 0.08            | 0.09             | 1400      | 2.5                                   | 88                   | 3.8                                 | 0.15                                  | 31       | 0.8       |
|             |                 | 60           | 29            | 0.07            | 0.09             | 1700      | 3.0                                   | 106                  | 5.5                                 | 0.22                                  | 37       |           |