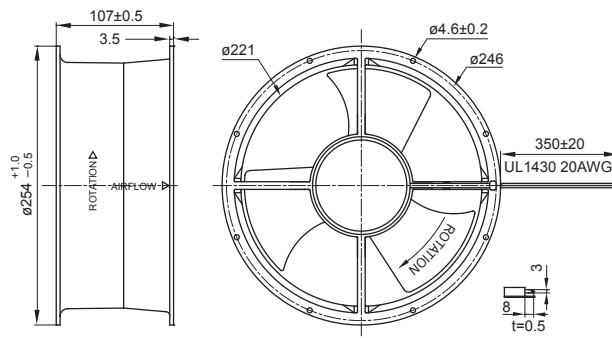
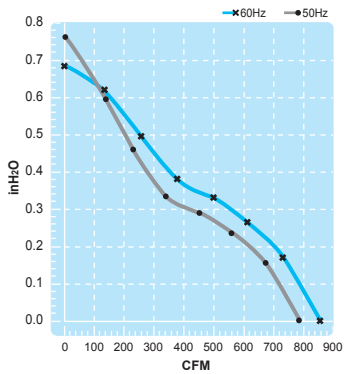


# UF25H(C) Series

Size :  $\varnothing 254 \times 107$   
Unit : mm



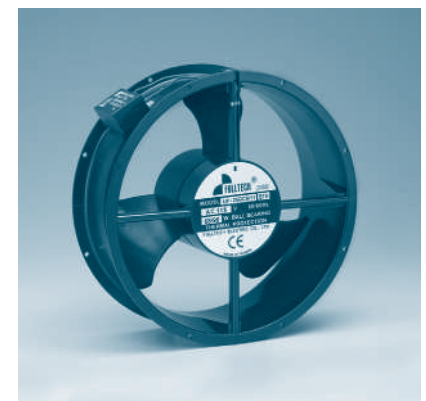
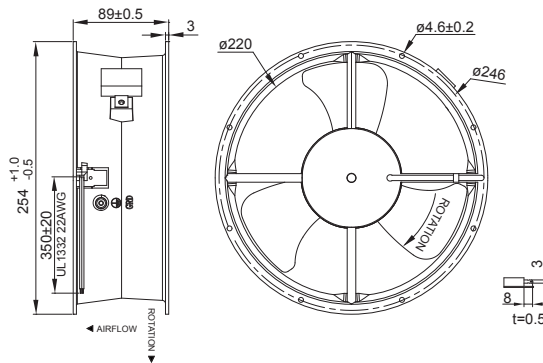
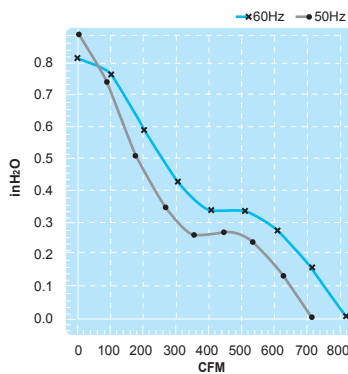
Terminal or Lead Wire Type

Thermally-Protected

Spec. Model	Rated Voltage V	Frequency Hz	Input Power W	Rated Current A	Locked Current A	Speed RPM	Maximum Air Flow m <sup>3</sup> /min.	Maximum Air Flow CFM	Maximum Pressure mmH <sub>2</sub> O	Maximum Pressure InchH <sub>2</sub> O	Noise dB	Weight kg
UF25HC11-H	115	50	95	0.85	1.65	2600	22	780	19.0	0.75	63	2.5
		60	125	1.07	1.50	2750	24	850	17.5	0.68	65	
UF25HC23-H	230	50	95	0.42	0.80	2600	22	780	19.0	0.75	63	2.5
		60	125	0.50	0.75	2750	24	850	17.5	0.68	65	

# UF25G(CB) Series

Size :  $\varnothing 254 \times 89$   
Unit : mm



Terminal or Lead Wire Type

Thermally-Protected

Spec. Model	Rated Voltage V	Frequency Hz	Input Power W	Rated Current A	Locked Current A	Speed RPM	Maximum Air Flow m <sup>3</sup> /min.	Maximum Air Flow CFM	Maximum Pressure mmH <sub>2</sub> O	Maximum Pressure InchH <sub>2</sub> O	Noise dB	Weight kg
UF25GCB11-H	115	50	68	0.62	1.16	2800	20.2	713	22.7	0.90	62	2.3
		60	96	0.88	1.16	3200	23.0	812	20.7	0.82	65	
UF25GCB23-H	230	50	70	0.32	0.60	2800	20.2	713	22.7	0.90	62	2.3
		60	98	0.45	0.60	3200	23.0	812	20.7	0.82	65	