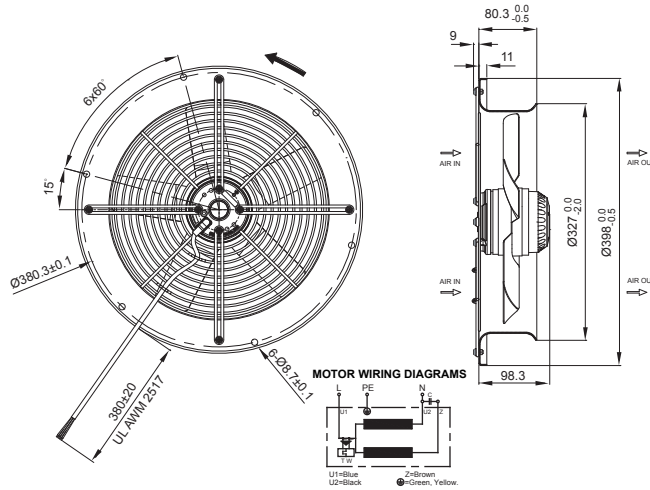
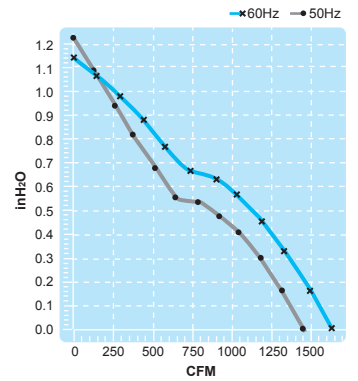


# UF300BNA Series

Size :  $\varnothing 398 \times 98.3$   
Unit : mm



(Axial Fan)



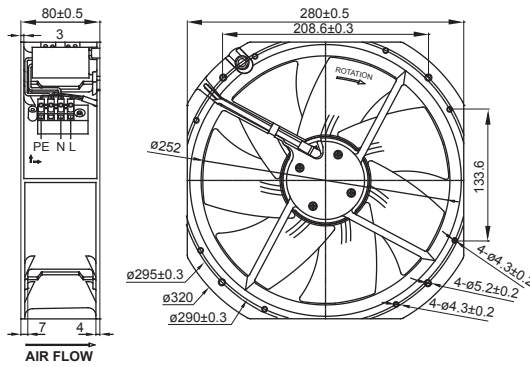
Thermally-Protected



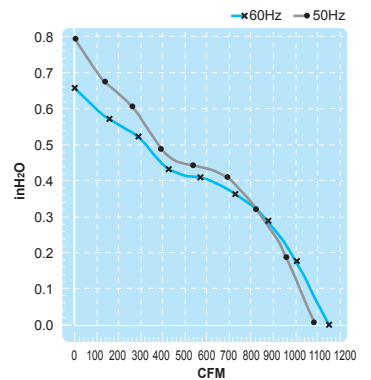
Spec.	Rated Voltage	Frequency	Input Power	Rated Current	Locked Current	Speed	Maximum Air Flow	Maximum Air Flow	Maximum Pressure	Maximum Pressure	Capacitor	Noise	Weight
Model	V	Hz	W	A	A	RPM	m <sup>3</sup> /min.	CFM	mmH <sub>2</sub> O	InchH <sub>2</sub> O	$\mu$ F/VDB	dB	kg
UF300BNA11H1C2A	115	50	150	1.6	3.15	2650	40.6	1435	31	1.2	20/250	75	4.5
		60	200	2.4	3.10	2950	45.7	1615	29	1.1		78	
UF300BNA23H1C2A	230	50	150	0.9	1.60	2650	40.6	1435	31	1.2	5/450	75	4.5
		60	200	1.2	1.56	2950	45.7	1615	29	1.1		78	

# UF250BMB Series

Size : 280 x 280 x 80  
Unit : mm



(Axial Fan)



Thermally-Protected



Spec.	Rated Voltage	Frequency	Input Power	Rated Current	Locked Current	Speed	Maximum Air Flow	Maximum Air Flow	Maximum Pressure	Maximum Pressure	Capacitor	Noise	Weight
Model	V	Hz	W	A	A	RPM	m <sup>3</sup> /min.	CFM	mmH <sub>2</sub> O	InchH <sub>2</sub> O	$\mu$ F/VDB	dB	kg
UF250BMB11H1C2A	115	50	112	1.00	1.90	2550	31	1090	20.0	0.78	12/250	68	2.8
		60	148	1.50	1.90	2700	32	1130	16.5	0.65		70	
UF250BMB23H1C2A	230	50	119	0.59	0.91	2550	31	1090	20.0	0.78	4/450	68	2.8
		60	158	0.82	0.91	2700	32	1130	16.5	0.65		70	