

SN75450

DUAL PERIPHERAL DRIVER

FAIRCHILD LINEAR INTEGRATED CIRCUITS

GENERAL DESCRIPTION — The SN75450 is a versatile general purpose dual interface driver circuit that employs TTL or DTL logic. The SN75450 features two standard series 74 TTL gates and two uncommitted, high current, high voltage transistors offering the system designer the flexibility to tailor the circuit to his application. The SN75450 is useful in high speed logic buffers, power drivers, lamp drivers, relay drivers, line drivers, MOS drivers, clock drivers and memory drivers.

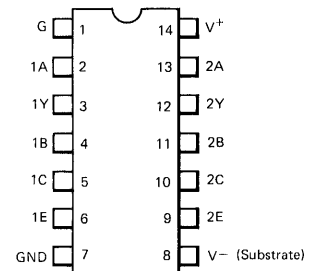
- HIGH SPEED
- 300 mA CURRENT CAPABILITY
- HIGH VOLTAGE CAPABILITY
- UNCOMMITTED OUTPUT DEVICES
- TTL OR DTL INPUT COMPATIBILITY

ABSOLUTE MAXIMUM RATINGS

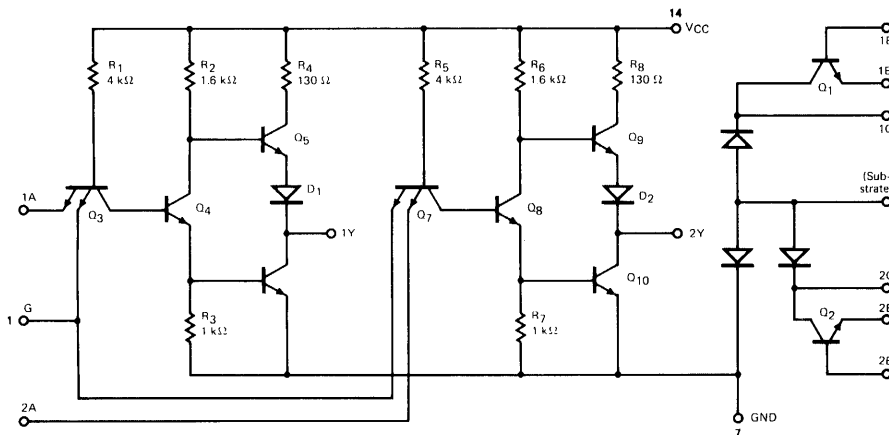
Supply Voltage (Note 1)	+7 V
Internal Power Dissipation (Note 2)	800 mW
Input Voltage (Note 3)	5.5 V
V _{CC} to Substrate or Collector to Substrate Voltage	35 V
Collector to Base Voltage	35 V
Emitter To Base Voltage	5 V
Collector to Base Voltage (Note 4)	30 V
Continuous Collector Current	300 mA
Operating Temperature Range	0° C to + 70° C
Storage Temperature Range	-65° C to +150° C
Lead Temperature Range (Soldering, 60 seconds)	300° C

**CONNECTION DIAGRAM
(TOP VIEW)**

14 LEAD DIP



EQUIVALENT CIRCUIT



BLOCK DIAGRAM

