

**Steel wall mount enclosure**



# Steel wall mount enclosure



## Single door wall mount enclosure

### Supply Include

Enclosure and door ,mounting plate, lock system, gland plate, sealing gasket and fixing accessories.

Standard Configuration

Paint finish epoxy polyester powder coating textured finish

Color: RAL 7032 or RAL 7035

Protection degree:IP 66

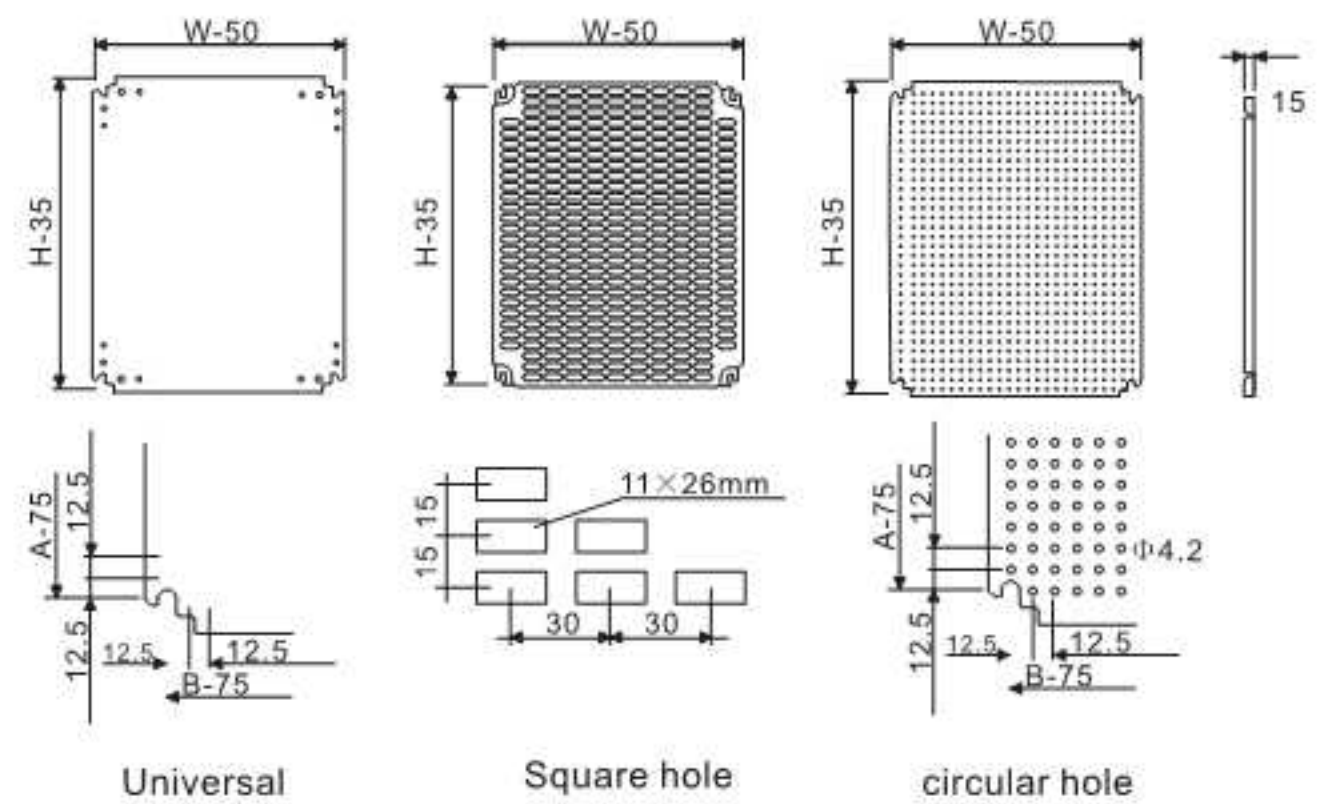
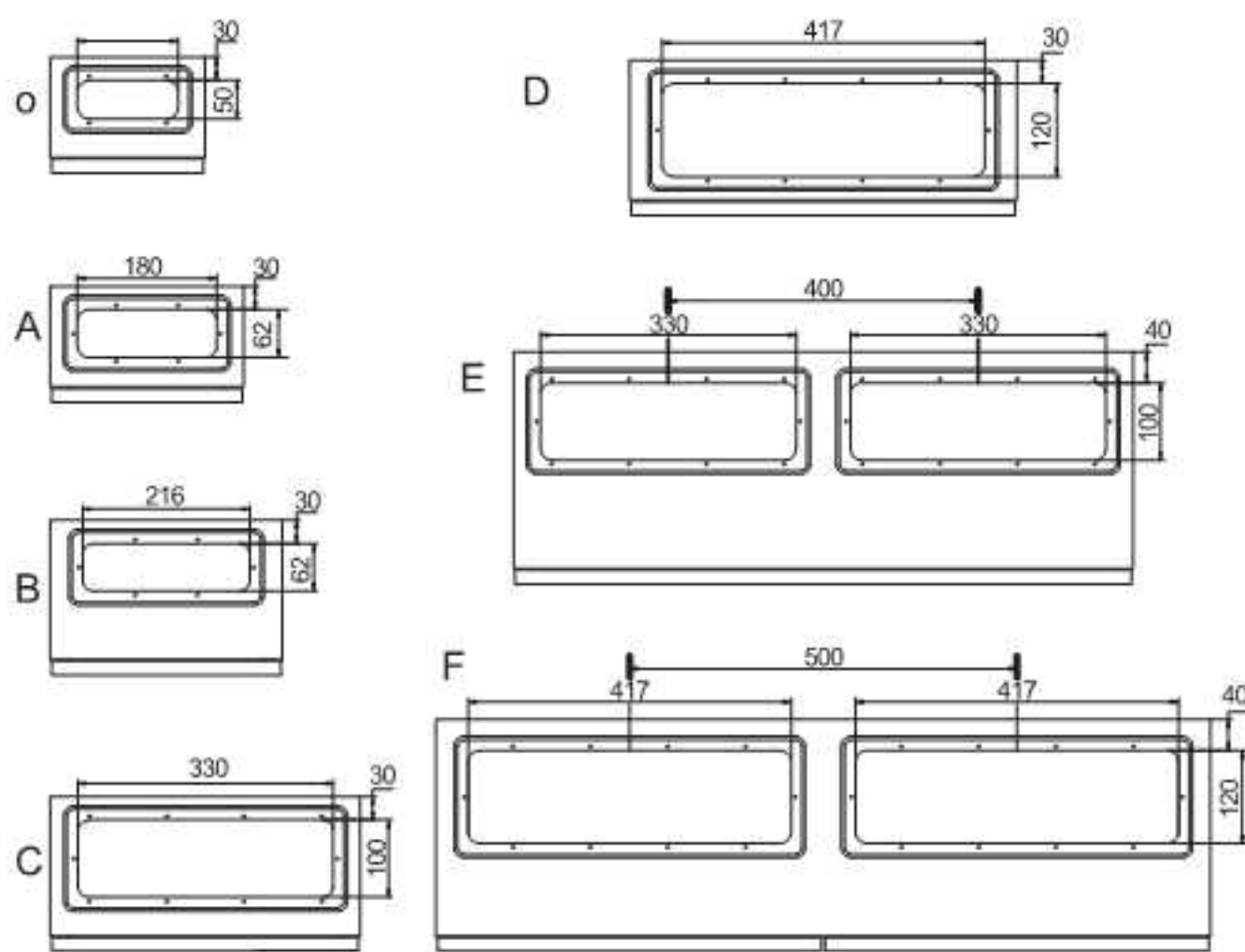
Against mechanical impacts: IK 10

Thickness:

Enclosure & door: sheet steel 1.2mm till size ST6 820 then 1.5mm.

Mounting p late:

zinc-coated steel 1.5mm till size ST6 820 then 2.0mm



Note: door hinges on the left for the left open door, door hinges on the right for the right open door

## Selection Table

Model	W	H	D(mm)	No.of lock	Gland open
ST2 215	200	200	150	1	O
ST2 2515	200	250	150	1	O
ST25 2515	250	250	150	1	A
ST2 315	200	300	150	1	O
ST25 315	250	300	150	1	A
ST3 315	300	300	150	1	B
ST4 315	400	300	150	1	B
ST3 415	300	400	150	1	B
ST4 415	400	400	150	1	B
ST3 515	300	500	150	1	B
ST4 515	400	500	150	1	B
ST5 515	500	500	150	1	D
ST4 615	400	600	150	2	C
ST5 615	500	600	150	2	D
ST25 320	250	300	200	1	A
ST3 320	300	300	200	1	B
ST4 320	400	300	200	1	B
ST3 420	300	400	200	1	B
ST4 420	400	400	200	1	B
ST6 420	600	400	200	1	D
ST3 520	300	500	200	1	B
ST4 520	400	500	200	1	C

Model	W	H	D(mm)	No.of lock	Gland open
ST5 520	500	500	200	1	D
ST4 620	400	600	200	2	C
ST5 620	500	600	200	2	D
ST6 620	600	600	200	2	D
ST5 720	500	700	200	2	D
ST6 720	600	700	200	2	D
ST6 820	600	800	200	2	D
ST8 820	800	800	200	2	E
ST6 1020	600	1000	200	3	D
ST8 1020	800	1000	200	3	E
ST6 1220	600	1200	200	3	D
ST8 1220	800	1200	200	3	E
ST4 425	400	400	250	1	C
ST6 425	600	400	250	1	D
ST4 525	400	500	250	1	C
ST5 525	500	500	250	1	D
ST4 625	400	600	250	2	C
ST5 625	500	600	250	2	D
ST6 625	600	600	250	2	D
ST5 725	500	700	250	2	D
ST6 825	600	800	250	2	D
ST8 825	800	800	250	2	E

Model	W	H	D(mm)	No.of lock	Gland open
ST6 1025	600	1000	250	3	D
ST8 1025	800	1000	250	3	E
ST6 1225	600	1200	250	3	D
ST8 1225	800	1200	250	3	E
ST4 530	400	500	300	1	C
ST4 630	400	600	300	2	C
ST5 630	500	600	300	2	D
ST6 630	600	600	300	2	D
ST5 730	500	700	300	2	D
ST6 830	600	800	300	2	D
ST8 830	800	800	300	2	E
ST6 1030	600	1000	300	3	D
ST6 1230	600	1200	300	3	D
ST8 1030	800	1000	300	3	E
ST8 1230	800	1200	300	3	E
ST8 1430	800	1400	300	3	E
ST6 840	600	800	400	2	D
ST8 840	800	800	400	2	E
ST6 1040	600	1000	400	3	D
ST8 1040	800	1000	400	3	E
ST6 1240	600	1200	400	3	D
ST8 1240	800	1200	400	3	E
ST8 1440	800	1400	400	3	E