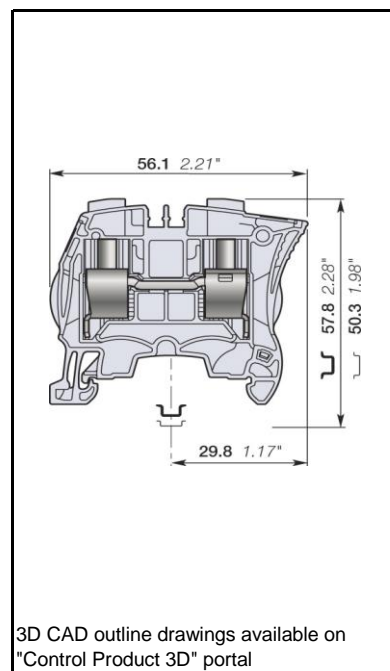
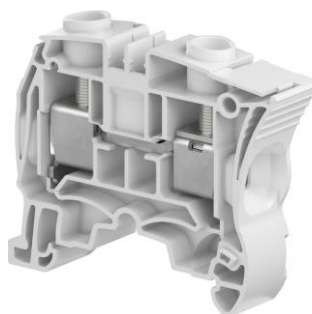


ZS25 Screw Clamp Terminal Blocks Feed-through

- Save space by connecting conductors up to 25 mm² (without insulated ferrule, CB certified) 3 AWG in just 12 mm 0.472 in spacing,
- Perfectly adapted to solar applications: voltage is rated 1000 V AC / DC IEC.



		25 mm²
		3 AWG
12 mm 0.472 in Spacing		

Ordering Details

Color	Type	Order Code	EAN Code	Pack ^(mg)	Weight (1 pce) g
Grey	ZS25	1SNK512010R0000	3472595120109	25	21.40
Blue	ZS25-BL	1SNK512020R0000	3472595120208	25	21.40
Yellow	ZS25-YL	1SNK512060R0000	3472595120604	25	21.40

Declarations and Certificates

CE	CB	RoHS	UL US USR CNR		EAC Ex	ATEX	IECEX
				ATEX Declaration			
BR-Ex e II	Haz Loc	BV	DNV				

Declarations and Certificates

	CE	1SND225100U10*
	CB	1SND161100A02*
	RoHS	1SND230491F02*
	USR CNR	1SND161041A02*
	CSA	1SND161070A02*
	EAC Ex	
	ATEX	1SND162004A17*
	IECEX	1SND162005A17*
	BR-Ex e II	1SND161042A02*
	USR CNR Haz Loc	1SND161047A02*
	BV	1SND161073A02*
	DNV	1SND161087A02*
Atex Declaration	Atex Declaration	1SND225085C10*

Explosive Atmosphere: ATEX Classification

Group Category	Protection Method
IM2 II 2 GD Ex eb I/II/IIIC	Ex e: increased security
In the presence of explosive dust atmosphere, terminal blocks are to be installed in certified enclosure II 2D	

General Information

The following information must be strictly adhered to in order to guarantee the terminal block electrical, mechanical and environmental performance.

Protection	IEC 60947-1	IP20		NEMA 1				
Rail		TH 35-7.5, TH 35-15						
Wire stripping length		13.5 mm	0.531 in					
		Screw clamp		Screw rail contact (Maximum value)		Disconnect device		
Operating tool		Flat screwdriver						
		5.5 mm	0.217 in					
Torque		1.8 N.m	15.9 N.m					
		± 0.2 N.m	± 1.77 N.m					

Material Specifications

Insulating material	Polyamide
CTI	600 V
Flammability	UL94 V0
	NF F 16101 I2F2
	Needle flame test: C 60615-11-5 Compliant

Connecting capacity per clamp

	Screw clamp		
1 Rigid - Solid / Stranded conductor	Norme	IEC60947-7-1	UL1059
	Value	0.5 ... 25 mm ²	24 ... 3 AWG
1 Flexible conductor	Norme	IEC60947-7-1	
	Value	0.5 ... 25 mm ²	
1 Flexible conductor with non insulated ferrule	Norme	Manufacturer data	Manufacturer data
	Value	0.5 ... 16 mm ²	24 ... 4 AWG
1 Flexible conductor with insulated ferrule	Norme	Manufacturer data	Manufacturer data
	Value	0.5 ... 16 mm ²	24 ... 8 AWG
Gauge		A6-B6	
		IEC 60947-1	
Ferrule maximum outer diameter or conductor insulation maximum outer diameter		Manufacturer data	9.6 mm

The "Connecting capacity with ferrule" data is guaranteed with ABB crimping tool PS-3 (crimping capacity up to 10 mm²).

As part of its on-going product improvement, ABB reserves the right to modify the characteristics or the products described in this document. The information given is not contractual. For further details please contact the ABB company marketing these products in your country.

Multi Connecting capacity per clamp

2 Rigid - Solid / Stranded conductors	Norme	IEC60947-7-1	UL1059	
	Value	0.5 ... 10 mm ²	20 ... 10 AWG	
2 Flexible conductors	Norme	IEC60947-7-1		
	Value	0.5 ... 10 mm ²		
2 Flexible conductors with twin ferrule	Norme	Manufacturer data	Manufacturer data	
	Value	0.5 ... 10 mm ²	20 ... 10 AWG	

Don't mix **solid and flexible** conductors **in the same clamp**

Don't mix **solid or flexible** conductors of different sizes **in the same clamp**

The "Connecting capacity with ferrule" data is guaranteed with ABB crimping tool PS-3 (crimping capacity up to 10 mm²)

Cross section

Rated cross section	IEC60947-7-1	16 mm ²	UL1059	3 AWG
Maximum Cross section	Manufacturer data	25 mm ²	Manufacturer data	3 AWG

Electrical characteristics

Current

Rated current		IEC60947-7-1	76 A
	Field and factory wiring Cat.2	UL 1059	100 A
	Factory wiring Cat.1	UL 1059	
		CSA-C-22.2 n°158	100 A
Maximum Exe current		IEC/EN 60079-7	69 A
Rated short-time withstand current 1 s (I _{cw})		IEC60947-7-1	1920 A
Short-time withstand current	0.5 s	Manufacturer data	
	5 s	Manufacturer data	
	10 s	Manufacturer data	
	30 s	Manufacturer data	
	1 min	Manufacturer data	
Rated short-circuit withstand current		UL 1059	
Max. current (45° temperature increase) / Max. cross section (mm ²)		Manufacturer data	101 A 25 mm ²
Maximum short circuit current (1s)		Manufacturer data	1920 A

Short Circuit Current Rating (SCCR) SA UL 1059 supplement

SCCR		UL 1059	100 kA
With the following configurations:			
Suitable conductor wire range			10 ... 3 AWG
Maximum voltage			600 V
Fuse class / Max. amp. Rating		J	250 A
		T	250 A
		RK1	200 A
		RK5	100 A
		G	60 A
		CC	30 A

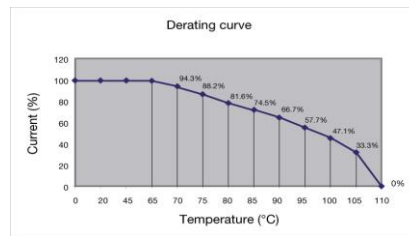
Voltage

Rated voltage	IEC 60947-1	1000 V
Rated voltage	UL 1059	600 V
Use Group	UL 1059	B, C
Rated voltage	CSA-C-22.2 n°158	600 V
Rated voltage Ex e	IEC/ EN 60079-7	693 V
Rated impulse withstand voltage	IEC 60947-1	8000 V
Dielectric test voltage	IEC 60947-1	2200 V
Pollution degree	IEC 60947-1	3
Overvoltage category	IEC 60947-1	III

Temperature range

Ambient temperature min/max	Storage	-55 ... +110 °C	-67 ... +230 °F
	Installing	-5 ... +40 °C	+23 ... +104 °F
	Service	-55 ... +110 °C	-67 ... +230 °F

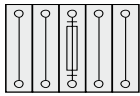
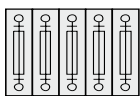
Current Derating curve for continuous service temperature



Dissipated power

Maximum dissipated power at rated current	IEC 60947-1	2,4 W
Maximum dissipated power at maximum Exe current	IEC 60079-7	2,2 W

Rated power dissipation at an ambient temperature of 23 °C - IEC 60947-7-3

Separate arrangement / Overload and short-circuit protection	 <p>1 fuse and 4 feed-through blocks</p>	
Separate arrangement / Exclusive short-circuit protection		
Compound arrangement / Overload and short-circuit protection	 <p>5 fuse blocks</p>	
Compound arrangement / Exclusive short-circuit protection		

Environmental Characteristics Additional climatic tests

Dry heat	Conditions	IEC 60068-2 2	Compliant
		Temperature	110 °C
		Duration of test	96 h
Cyclic damp heat	Conditions	IEC 60068-2 30	Compliant
		Temperature	55 °C
		Relative humidity	95 %
		Number of cycles (1 cycle = 24h)	2
Cold	Conditions	IEC 60068-2 1	Compliant
		Temperature	-55 °C
		Duration of test	96 h
Damp heat steady state	Conditions	IEC 60068-2-78	Compliant
		Temperature	40 °C
		Relative humidity	93 %
		Duration of test	96 h

Corrosion

Salt mist	Conditions	IEC 60068-2 11	Compliant
		Duration of test	96 h
		Concentration	5 %
SO ₂	Conditions	ISO 6988	Compliant
		Duration of test	48 h
		Concentration	0,2 dm ³
Flowing mixed gas corrosion test	Conditions	IEC 60068-2 60	Compliant
		Number of the test method	3
		Duration of test	21 j

As part of its on-going product improvement, ABB reserves the right to modify the characteristics or the products described in this document. The information given is not contractual. For further details please contact the ABB company marketing these products in your country.

Vibrations and shocks

Sinusoidal vibrations	Conditions	IEC 60068-2-6	Compliant
		Frequency range	5 ... 100 Hz
		Number of cycles	1
		Acceleration	7 m/s ²
Functional random vibrations Category 1 Class B 3 axes	Conditions	IEC 61373	
		Duration of test	
		Frequency range	
		Acceleration	
Long life testing at increased random vibrations Category 1 Class B 3 axes	Conditions	IEC 61373	
		Duration of test	
		Frequency range	
		Acceleration	
Shock Category 1 Class B 3 axes	Conditions	IEC 61373	
		Duration of test	
		Acceleration	

ZS25 Terminal Block Accessories Compatibility

Some accessories may modify the terminal block's rating. See complete information in the accessories catalog page.

Description	Type	Order Code	Pack ^(mg) pieces	Weight g (1 pce)
1 Terminal Block Markers	MG-CPM 13	1SNB041791R0612	1680	0.273
	MC512	1SNK140000R0000	22	9.00
	MC512-YL	1SNK140004R0000	22	9.00
	MC512PA	1SNK149999R0000	20	10.00
	MC612	1SNK150000R0000	22	10.00
	MC612-YL	1SNK150004R0000	22	10.00
	MC612PA	1SNK159999R0000	20	11.00
	MC812	1SNK160000R0000	22	10.00
	MC812-YL	1SNK160004R0000	22	10.00
	MC812PA	1SNK169999R0000	20	14.00
	UMH	1SNK900611R0000	10	0.20
	PROCAP8	1SNK900613R0000	20	1.00
	SAT6	1SNK900615R0000	5	6.00
	SAT8	1SNK900616R0000	5	6.00
	SAT	1SNK900623R0000	5	6.00
2 Mounting Rails	PR3.G2	1SNA164800R0300	2	718.00
	PR4	1SNA168500R1200	2	915.00
	PR5	1SNA168700R2200	2	700
	PR30	1SNA173220R0500	2	328.00
	PR3.Z2	1SNA174300R1700	2	718.00
	PR50	1SNA178529R0400	2	1288.00
3 End Sections	ES4	1SNK505910R0000	20	2.20
4 End Stops	BAM4	1SNK900001R0000	50	14.00
	BAZ1	1SNK900002R0000	50	5.30
5 Circuit Separators	CS	1SNK900101R0000	20	0.20
	CS-R1	1SNK900103R0000	20	5.20
6 Test Connectors	TC5	1SNK900200R0000	10	5.20
	TC5-R1	1SNK900201R0000	10	5.20
7 Test Adapters	TP2	1SNK900203R0000	20	1.70
	TP4	1SNK900205R0000	20	2.40
8 Cross Spacing Jumpers	JB85-3	1SNK900603R0000	10	2.80
9 Protecting Covers	CO	1SNK900604R0000	1	300.00
	PL10	1SNK900621R0000	10	3.10
10 Protecting Cover Kits	KCO	1SNK900624R0000	1	47.80
11 Tools	PS-3	1SNK900650R0000	1	380.00
12 Jumper Bars	JB12-2	1SNK912302R0000	50	4.90
	JB12-3	1SNK912303R0000	50	7.60
	JB12-5	1SNK912305R0000	20	12.90

As part of its on-going product improvement, ABB reserves the right to modify the characteristics or the products described in this document. The information given is not contractual. For further details please contact the ABB company marketing these products in your country.

Contact us

ABB France
Electrification Products Division
PG Connection
3, rue Jean Perrin
F-69687 Chassieu cedex / France
Tel. +33 (0)4 7222 1722
Fax +33 (0)4 7222 1935

Note

We reserve the right to make technical changes or modify the contents of this document without prior notice. With regard to purchase orders, the agreed particulars shall prevail. ABB does not accept any responsibility whatsoever for potential errors or possible lack of information in this document.

We reserve all rights in this document and in the subject matter and illustrations contained therein. Any reproduction, disclosure to third parties or utilization of its contents – in whole or in parts – is forbidden without prior written consent of ABB.

Copyright© 2011 ABB
All rights reserved

1 SNK161068D0201 - PDF