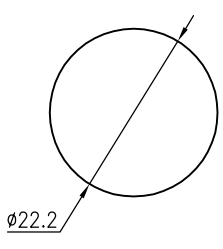
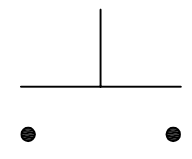
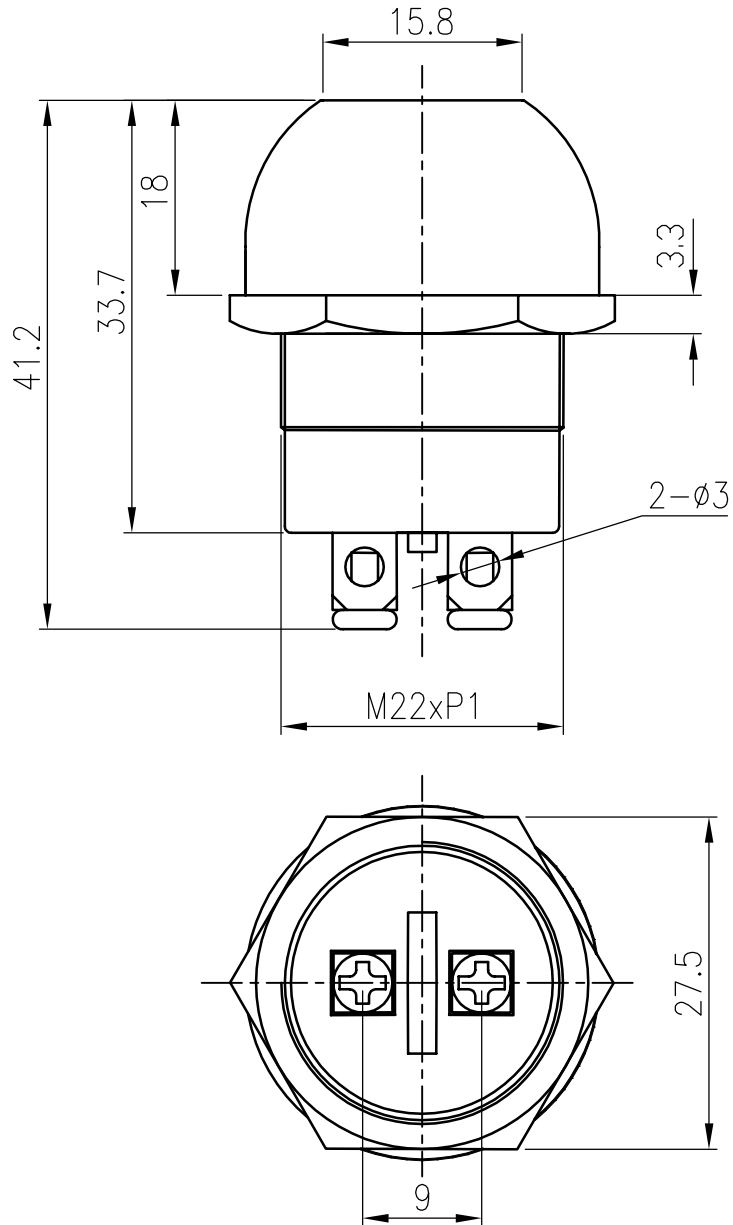



|                       |                       |  |   |
|-----------------------|-----------------------|--|---|
| Rating                | 10A 24V DC            |  |  |
| Contact Resistance    | 50M ohm Min           |  |   |
| Insulation Resistance | DC 1500V 100M ohm Min |  |   |
| Dielectric Strength   | AC 1500V 1 Minute     |  |   |
| Operation Temperature |                       |  |   |
| Circuit               | 2P SPST OFF-(ON)      |  |   |



|                |              |                    |                     |                 |  |                       |           |
|----------------|--------------|--------------------|---------------------|-----------------|--|-----------------------|-----------|
|                |              |                    |                     |                 |  |                       | △         |
|                |              |                    |                     |                 |  |                       | △         |
| <b>Date</b>    | <b>Name</b>  | <b>Description</b> |                     |                 |  |                       | <b>NO</b> |
| <b>Drawing</b> | <b>Check</b> | <b>Approval</b>    | <b>SCI No.</b>      | 1110005,1110055 | <b>Model Name</b>  | Starter Button Switch |           |
| 黃偉東            | 李元生          | 李景煌                | <b>Customer No.</b> |                 | <b>Model No.</b>   | A2-5B                 |           |
| 01/04/'07      | 01/10/'07    | 01/11/'07          | <b>Unit</b>         | mm              |  SHIN CHIN INDUSTRIAL CO., LTD. |                       |           |