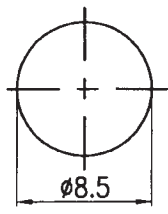
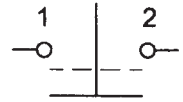
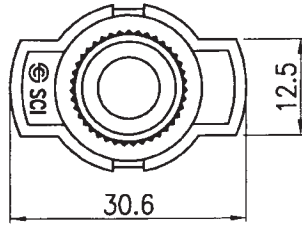
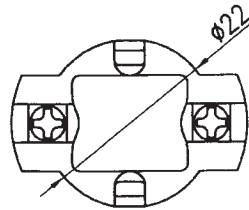
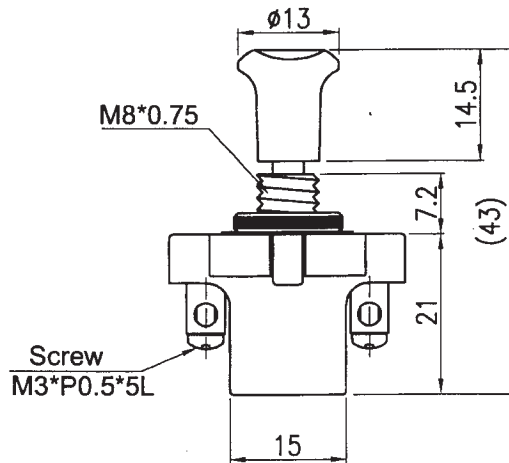


| | | | |
|-----------------------|----------------------|--|---|
| Rating | 10A 12VDC |  |  2P SPST ON-OFF |
| Contact Resistance | 50m ohm Max | | |
| Insulation Resistance | DC 500V 100M ohm Min | | |
| Dielectric Strength | AC 1500V 1 minute | | |
| Switch Function | PUSH-OFF/PULL-ON | | |



Material:
Frame: Black, PF
Cover: Nickel Plated, SPCC
Actuator: Black, ABS



Tolerances ± 0.5 Unless Otherwise Specified

| | | | | | | | |
|---------|---------|-------------|--------------|---------|--------------------------------|------------------|------|
| | | | | | | △ | |
| | | | | | | △ | |
| Date | Name | Description | | | | No. | |
| Drawn | Checked | Approved | SCI BOM No. | 1120029 | Model Name | PUSH PULL SWITCH | |
| 黃洋 | | | Customer No. | | Model No. | A3-5BB | Rev. |
| 3/13/15 | | 3/13-15 | Unit | mm | Shin Chin Industrial Co., Ltd. | | 0 |