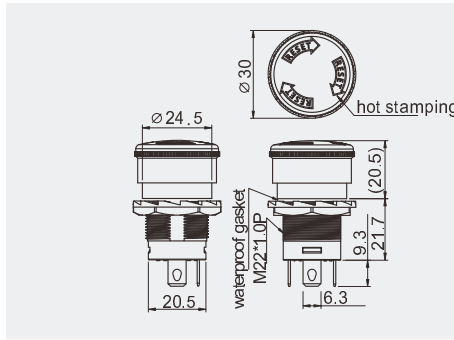


**R13-930**

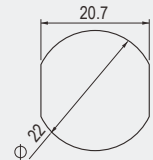
**EMERGENCY STOP SWITCH**



|                       |                        |
|-----------------------|------------------------|
| Rating                | 21A 14V DC, 10A 28V DC |
| Contact resistance    | 50mΩ Max               |
| Insulation resistance | DC 500V 100MΩ Min      |
| Dielectric strength   | AC 1500V 1 minute      |
| Cut out               |                        |

**FEATURES**

- \* MATERIAL: Frame and bottom are nylon. Terminals are silver plated copper.
- \* Pushbutton is PC.
- \* Waterproof gasket is EPDM.
- \* Sealed: IP56 when supplied with panel seal.



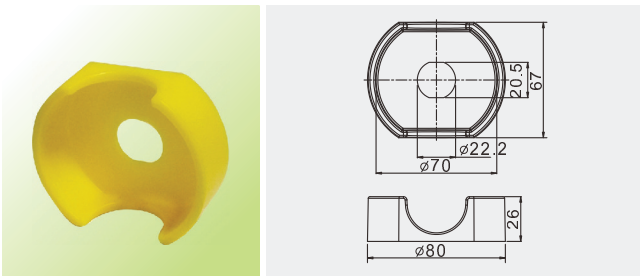
± 1.5~5.0 mm max

R13-930   -   -   -  

| FUNCTION                                                                        | PUSHBUTTON           | TERMINAL                                          | FRAME COLOR                                                                                        | LIGHT VOLTAGE                                                                                     |
|---------------------------------------------------------------------------------|----------------------|---------------------------------------------------|----------------------------------------------------------------------------------------------------|---------------------------------------------------------------------------------------------------|
| <input checked="" type="checkbox"/> Non-lighted<br>Push-lock.turn-resst<br><br> | <b>S</b> ∅30<br><br> | <b>0 1</b> .250" SQ<br><br><b>1 4</b> No.4-36 UNC | PUSHBUTTON COLOR<br><br><input checked="" type="checkbox"/> None<br><b>B</b> Black<br><b>R</b> Red | <input checked="" type="checkbox"/> None<br><b>1</b> 12V DC<br><b>2</b> 24V DC<br><b>3</b> 48V DC |
| <input type="checkbox"/> Lighted<br>Push-lock.turn-resst<br><br>                | <b>M</b> ∅40<br><br> |                                                   |                                                                                                    |                                                                                                   |



**R13-930-11 SAFETY HOLDER**



**FEATURES**

- \* MATERIAL: Frames are ABS.
- \* Fits SCL switches: R13-930 series.