

Motorized change-over and transfer switches OTM_C

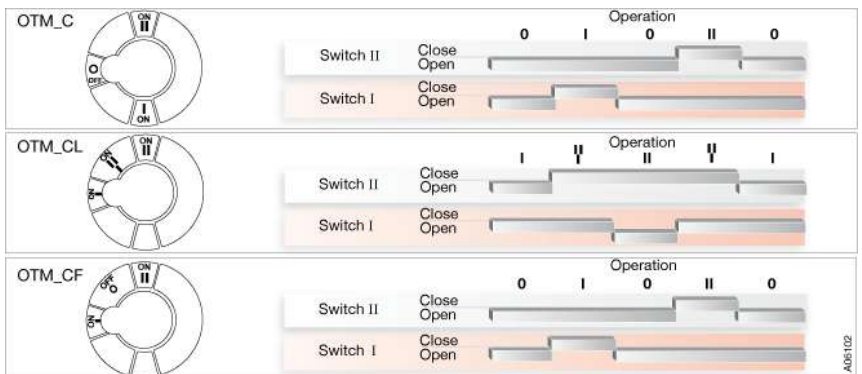
Installation and operating instructions
34OTM_C / 1SCC303002M0204



ABB

Contents

- 1. Introduction 4**
- 1.1 Use of symbols 4
- 1.2 Explanations of abbreviations and terms 4
- 2. Product overview 5**
- 3. Quick start 6**
- 3.1 Operating the motorized change-over switch electrically; remote control 6
- 3.1.1 Locking electrical operation 6
- 3.2 Operating the motorized change-over switch manually; local operation 7
- 4. Installation 8**
- 4.1 Mounting the motorized change-over switch 8
- 4.2 Dimensional drawings 10
- 4.3 Mounting positions 17
- 4.4 Labelling 17
- 5. Connecting 18**
- 5.1 Control circuit 18
- 6. Operating 19**
- 6.1 Electrical operation 19
- 6.1.1 Impulse control 20
- 6.1.2 Continuous control 21
- 6.2 Manual operation by using the handle 22
- 6.3 Locking 23
- 6.3.1 Locking the electrical operation 23
- 6.3.2 Locking the manual operation 23
- 7. Technical data 25**
- 8. Accessories 27**
- 8.1 Terminal clamp sets 27
- 8.2 Bridging bars 28
- 8.3 Terminal shrouds 31
- 8.4 Auxiliary contacts 34
- 8.5 Voltage sensing connectors 35
- 8.6 Handle and spare fuse storage 36
- 9. UL standard switches 37**
- 9.1 Phase barriers 38



1. Introduction

This manual describes the installation and the basic operation of the motorized change-over and transfer switches, types OTM_C. The instructive part is followed by a section on available accessories.

1.1 Use of symbols



Hazardous voltage: warns about a situation where a hazardous voltage may cause physical injury to a person or damage to equipment.



General warning: warns about a situation where something other than electrical equipment may cause physical injury to a person or damage to equipment.



Caution: provides important information or warns about a situation that may have a detrimental effect on equipment.



Information: provides important information about the equipment.

1.2 Explanations of abbreviations and terms

OTM_C:	Motorized change-over switch, the type name
OME_:	Motor operator, the type name
OT_C:	Change-over switch, the type name
OZXB_ and OZXA_:	Terminal clamp sets, the type name, accessories
OTZC_:	Bridging bars, the type name, accessories
OTS_:	Terminal shrouds, the type name, accessories
OA_:	Auxiliary contacts, the type name, accessories

2. Product overview

Motorized change-over switches (type OTM_C) are suitable for remote control. You can operate the motorized change-over switches either electrically by using the motor operator or manually by using the handle. The operation, either electrical or manual, can be chosen by the selector switch "Motor/Manual" on the motor operator. Motorized change-over switches consist of the change-over switch and the motor operator.

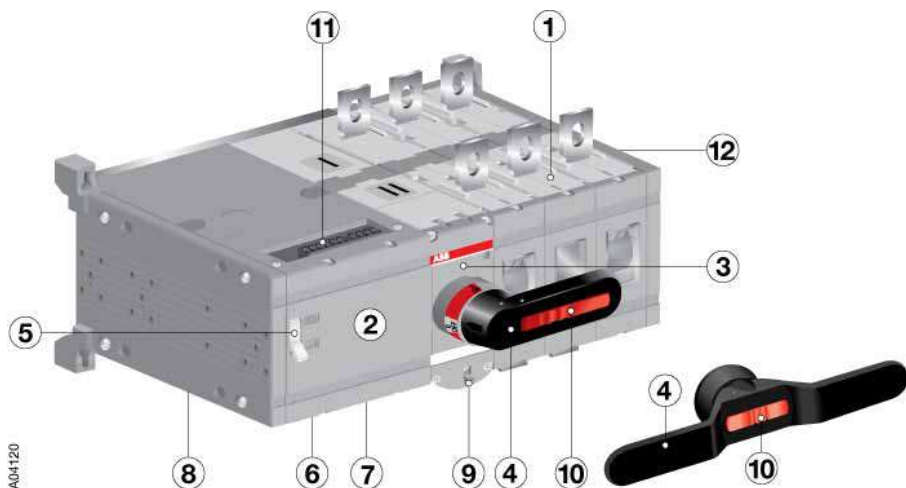


Figure 2.1 Motorized change-over switch (type OTM_C)

- 1 Change-over switch
- 2 Motor operator
- 3 Switch panel, the operating mechanism
- 4 Handle for manual operation, double grip handle in sizes OTM1000-2500_C
- 5 Motor/Manual selection
- 6 Terminals for motor operator voltage supply
- 7 Terminals for push-buttons
- 8 Fuse (F1) of motor operator
- 9 Locking latch for releasing the handle and locking electrical operation
- 10 Locking clip for locking manual operation
- 11 Terminals for locking state information
- 12 Place for auxiliary contacts

3. Quick start

This is a quick guide only meant for those who need a reminder of how to operate the unit. For more detailed instructions, see chapter 6.

3.1 Operating the motorized change-over switch electrically; remote control

To operate the motorized change-over switch electrically:

1. Remove the handle from the switch panel. You can remove the handle in all positions (I, 0, II).
2. Turn the Motor/Manual selector to the Motor (M) position to enable electrical operation.

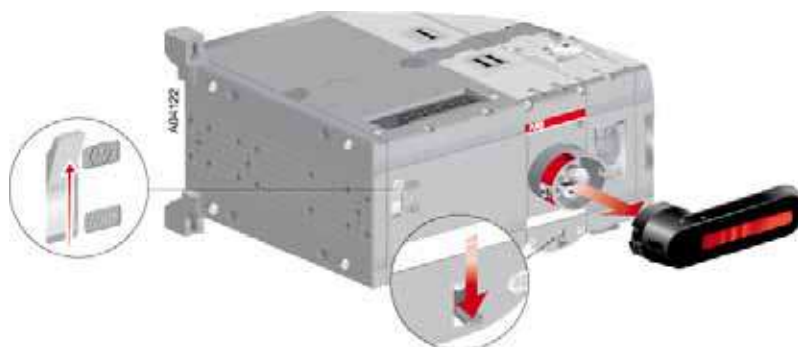


Figure 3.1 Operating the motorized change-over switch electrically; remote control

3.1.1 Locking electrical operation

To disable electrical operation, lock the locking latch with a padlock. After the locking latch has been locked, the motorized change-over switch cannot be operated electrically. You can lock electrical operation in all positions (I, 0, II).

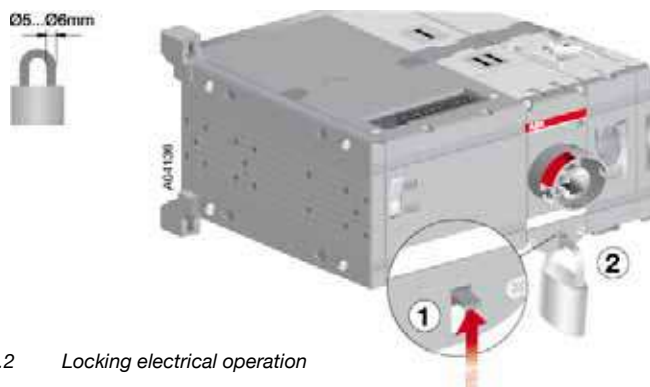


Figure 3.2 Locking electrical operation

3.2 Operating the motorized change-over switch manually; local operation

To operate the motorized change-over switch manually:

1. Turn the Motor/Manual selector to the Manual (Man.) position to enable manual operation and to prevent electrical operation.
2. Attach the handle to the switch panel. You can attach the handle in all positions (I, 0, II).



Figure 3.3 Operating the motorized change-over switch manually

To disable the manual (and at the same time also electrical) operation, lift up the locking clip to position 0 and attach the padlock to the handle.



Figure 3.4 Locking the manual operation

4. Installation

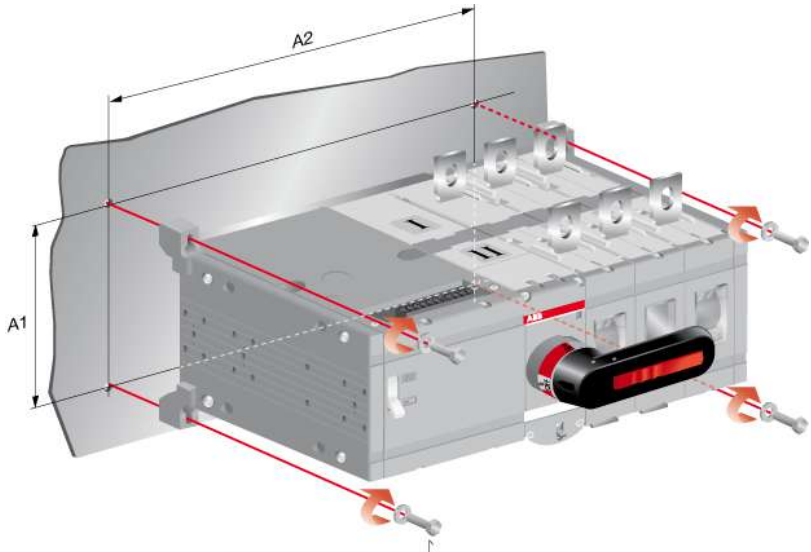
4.1 Mounting the motorized change-over switch



Use protection against direct contact.



Figure 4.1 An example of using protection against direct contact



A04127

M5	M6	M10
3,5...4Nm 31...35.4 lb.in		
OTM160-250_C_ OTM315_400_C_	OTM600-800E_C_	OTM800U_C_ OTM1000-2500_C_

	OTM160-250_C_M		OTM160-250_WC_M		OTM200_C_M	
	E3	E4	E3	E4	U3	U4
A1	116	116	116	116	116/4,57	116/4,57
A2	258	293	282	325	282/11,10	325/12,80

	OTM315-400_C_M		OTM400_C_M	
	E3	E4	U3	U4
A1	142	142	142/5,59	142/5,59
A2	305	349	335/13,19	389/15,31

	OTM630-800_C_M		OTM600_C_M	
	E3	E4	U3	U4
A1	180	180	180/7,09	180/7,09
A2	390	455	390/15,35	455/17,91

	OTM1000-1250_C_M		OTM1600_WC_M		OTM800-1200_C_M	
	E3	E4	E3	E4	U3	U4
A1	230	230	230	230	230/9,06	230/9,06
A2	476,5	556,5	476,5	556,5	476,5/18,77	556,5/21,92

	OTM2000-2500_C_M		OTM1600_C_M	
	E3	E4	U3	U4
A1	230	230	230/9,06	230/9,06
A2	614,5	740,5	614,5/24,21	740,5/29,17

Figure 4.2 Motorized change-over switches, drilling hole distances / screw-mounting, [mm/in]

4.2 Dimensional drawings

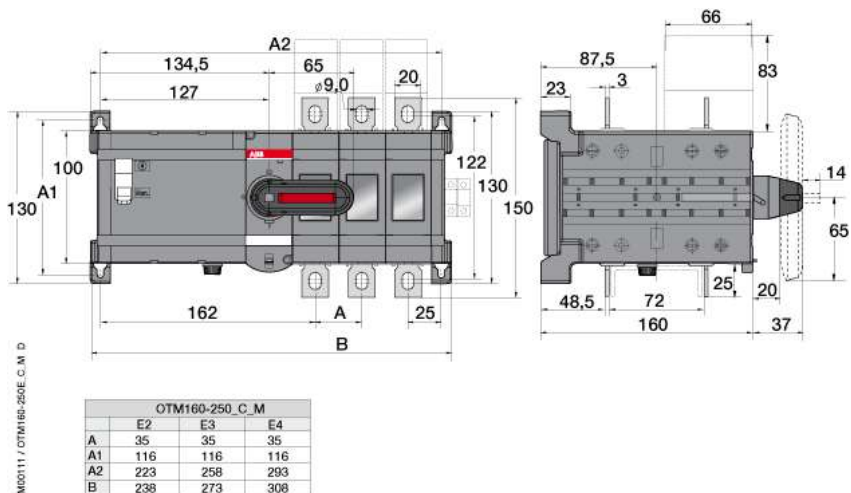


Figure 4.3 OTM160-250E_C_M

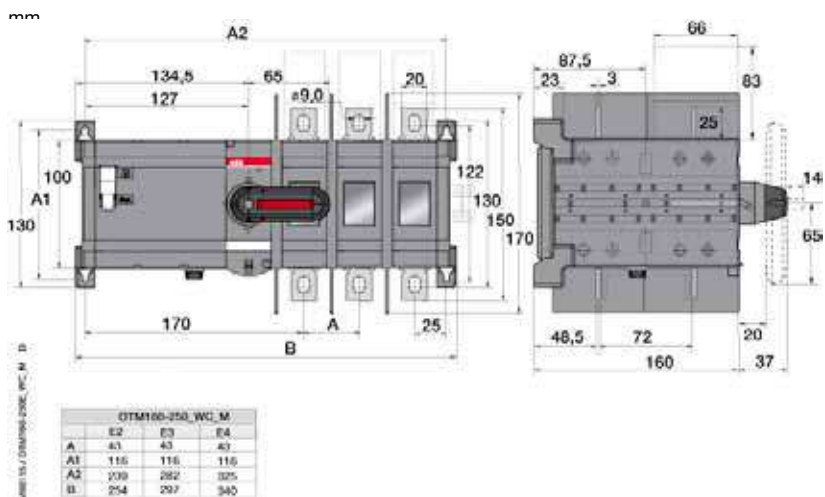


Figure 4.4 OTM160-250E_WC_M

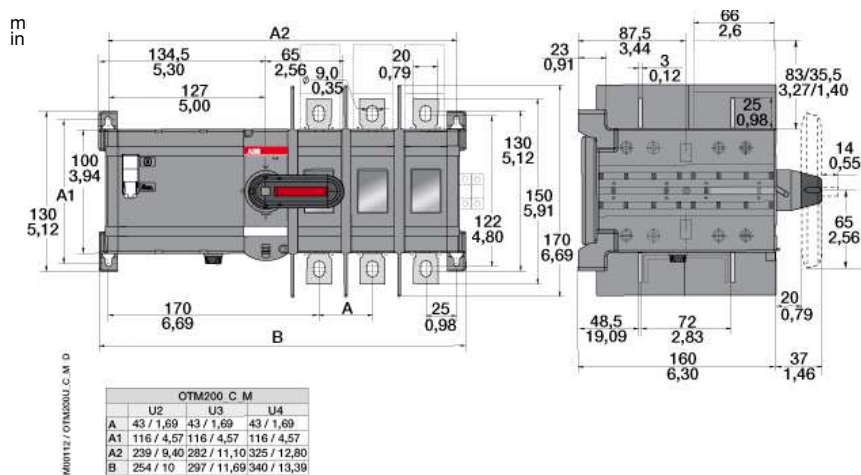


Figure 4.5 OTM200U_C_M

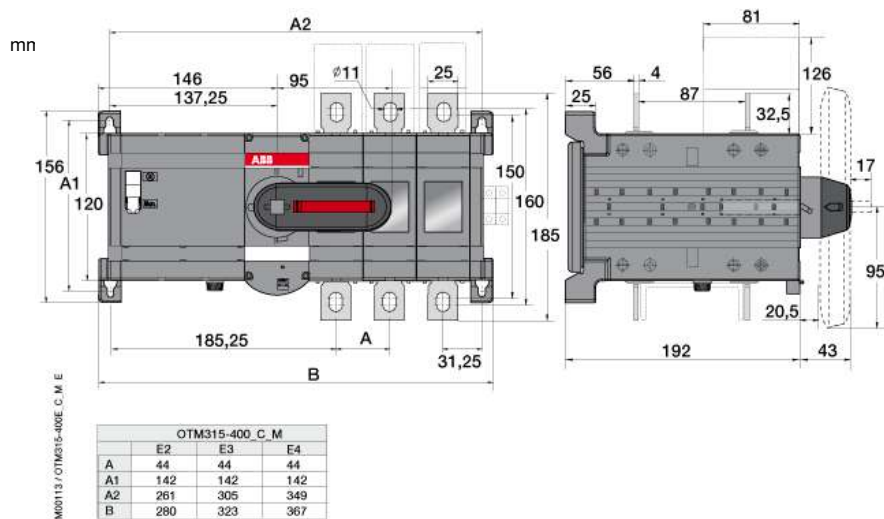


Figure 4.6 OTM315-400E_C_M

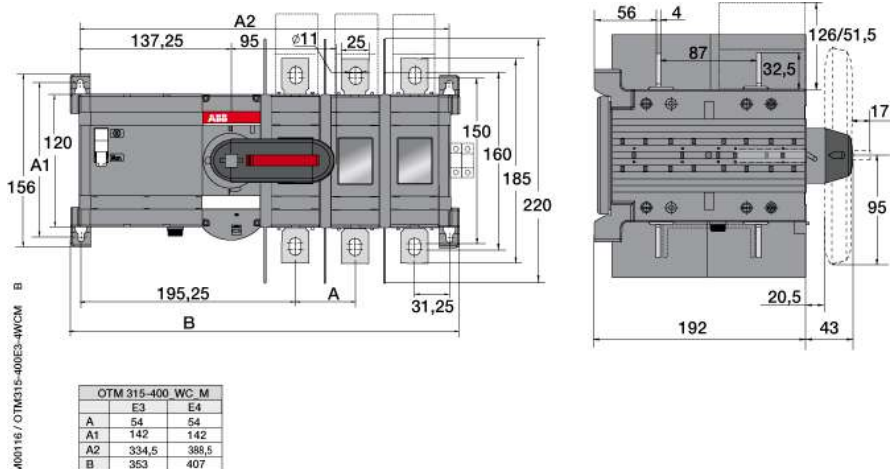


Figure 4.7 OTM315-400E_WC_M

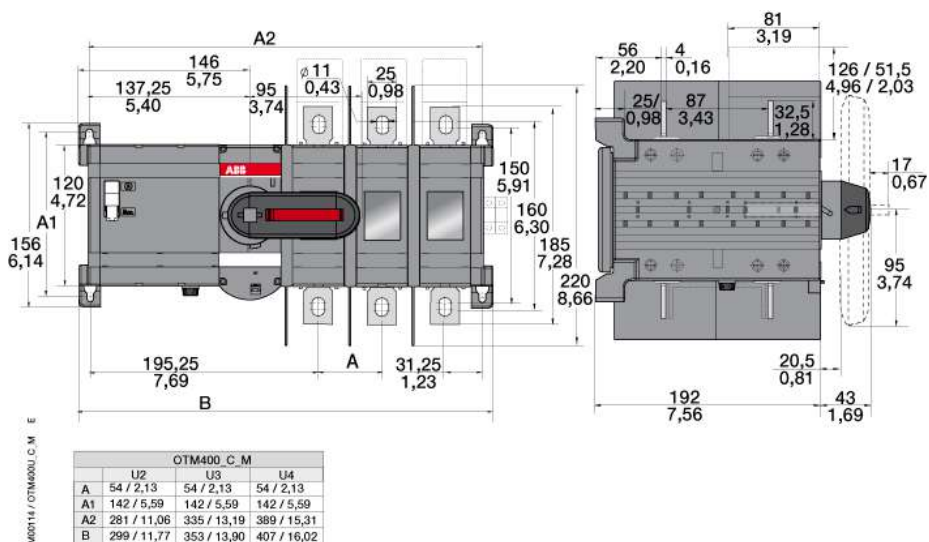


Figure 4.8 OTM400U_C_M

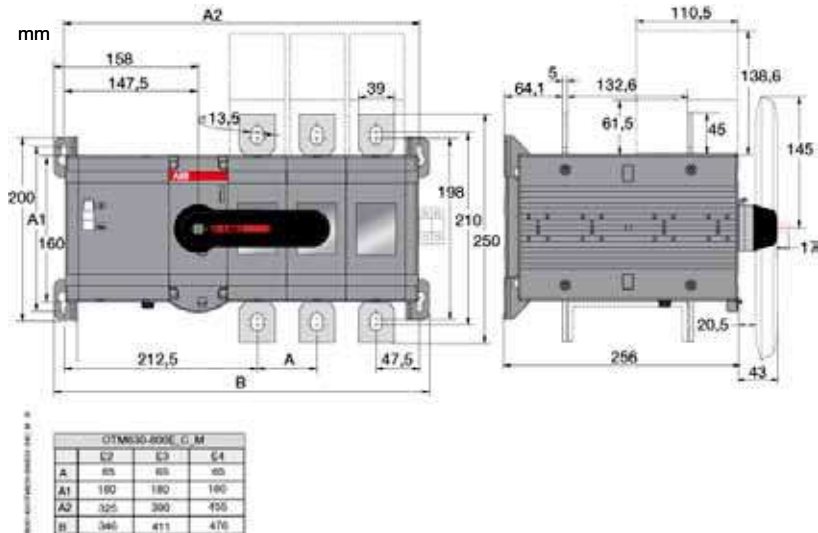


Figure 4.9 OTM630-800E_C_M

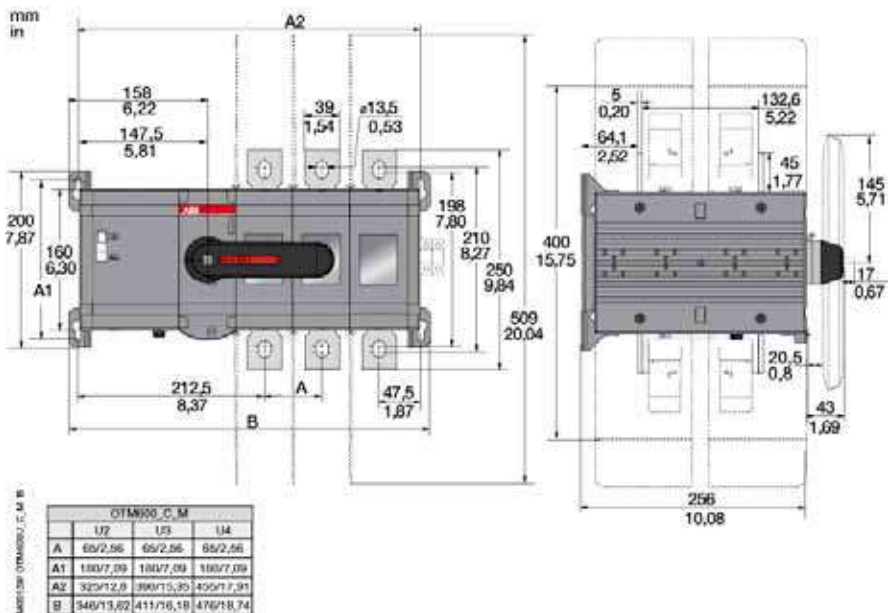


Figure 4.10 OTM600U_C_M

mm

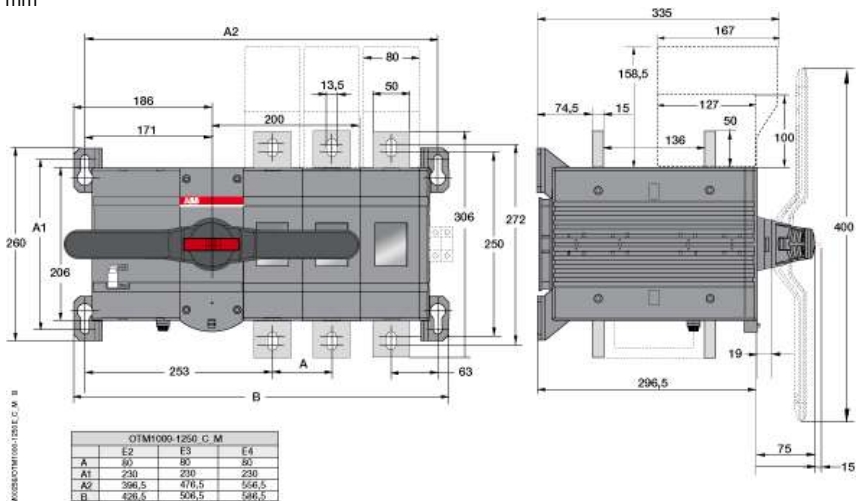


Figure 4.11 OTM1000-1200E_C_M

mm

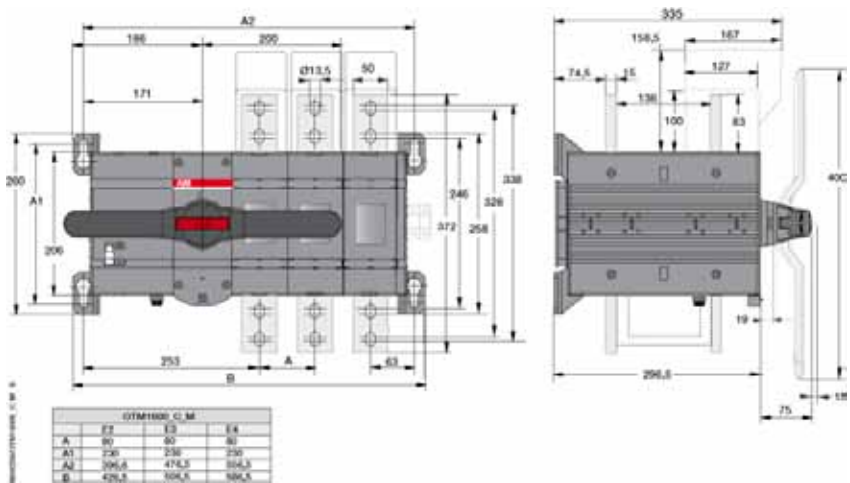


Figure 4.12 OTM1600E_C_M

mm
in

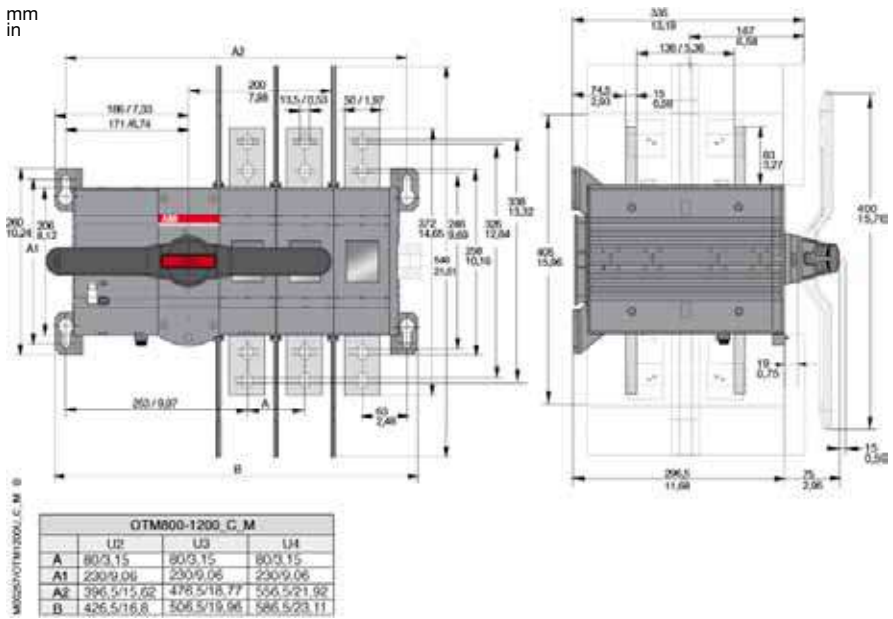


Figure 4.13 OTM800-1200U_C_M

mm

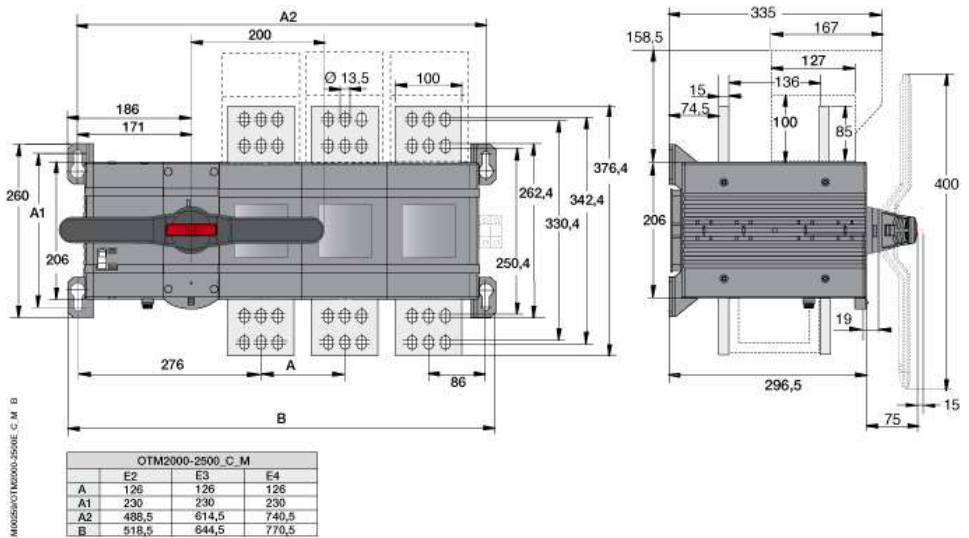


Figure 4.14 OTM2000-2500E_C_M

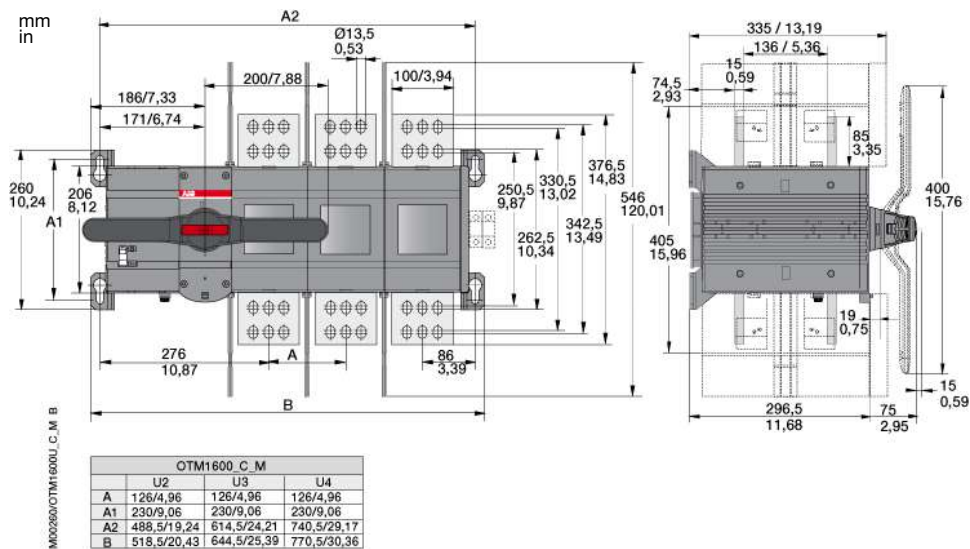


Figure 4.15 OTM1600U_C_M

4.3 Mounting positions

The recommended mounting positions for motorized change-over switches are horizontal, wall mounted or table mounted.

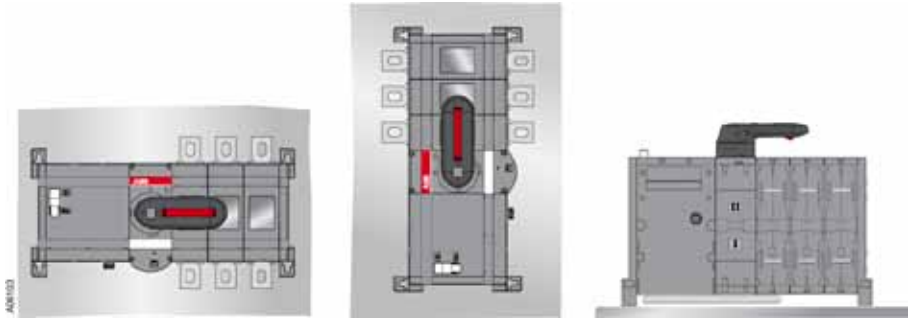


Figure 4.16 Mounting positions



Do not install the motorized change-over switches in any other position than those described above.

4.4 Labelling

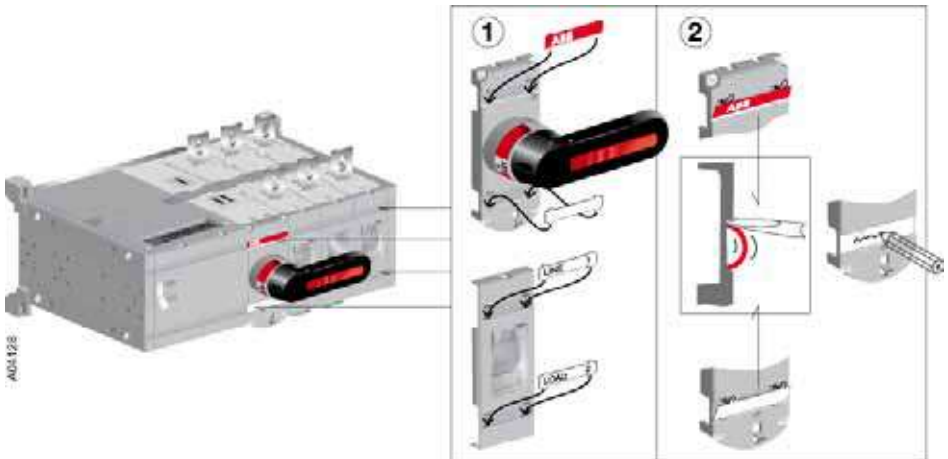


Figure 4.17 Labelling of the motorized change-over switches

5. Connecting



Only an authorised electrician may perform the electrical installation and maintenance of motorized change-over switches. Do not attempt any installation or maintenance actions when a motorized change-over switch is connected to the electrical mains. Before starting work, make sure that the change-over switch is de-energised.

5.1 Control circuit

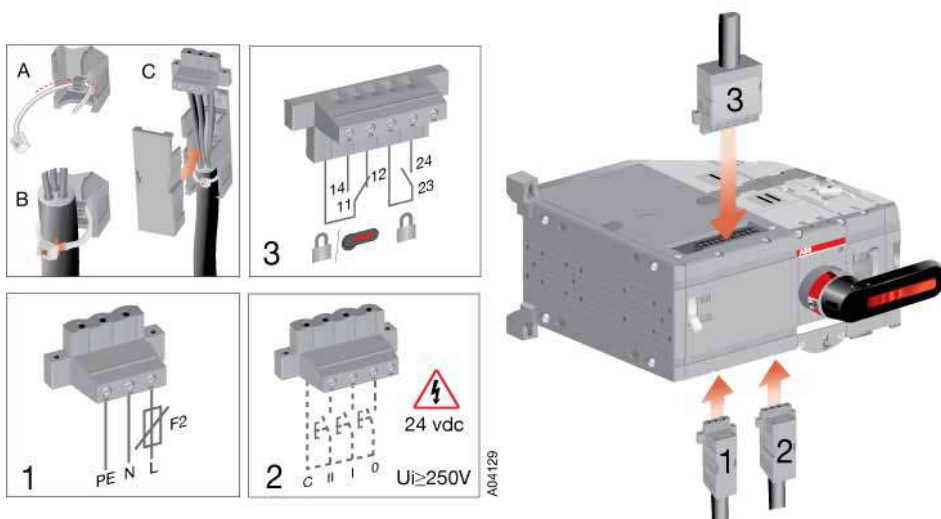


Figure 5.1 Motorized change-over switch terminals

1. Terminal for motor operator voltage supply
2. Control terminal for push buttons or selector switch
3. Terminal for state information of locking



Do not couple power for the control terminal. See the correct terminal for the power supply in Figure 5.1



The control voltage (output C = 24Vdc) on the control terminal is non-isolated, see box 2 in Figure 5.1



When relay outputs are used with inductive loads (such as relays, contactors and motors), they must be protected from voltage spikes using varistors, RC-protectors (AC current) or DC current diodes (DC current).

6. Operating



Never open any covers on the product. There may be dangerous external control voltages inside the motorized change-over switch even if the voltage is turned off.



Never handle control cables when the voltage of the motorized change-over switch or external control circuits are connected.



Exercise sufficient caution when handling the unit.

6.1 Electrical operation

The motorized change-over switches are available for remote control.

To operate the motorized change-over switch electrically:

1. Release the handle from the switch panel by pressing down the locking latch under the switch panel and pulling the handle off, see Figure 6.1.

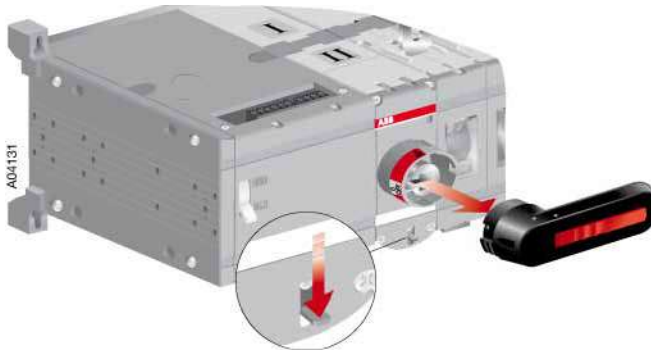


Figure 6.1 Releasing the handle




Electrical operation is disabled if the handle is attached to the switch panel.

- Turn the Motor/Manual selection switch to the Motor (M) position, see Figure 6.2.



Figure 6.2 Motor/Manual selection switch in the Motor (M) position


- Operate the motorized change-over switch with the push-buttons or selector switch via impulse control or continuous control.



The motor operator is protected from overloading by a fuse (F1) under the motor operator. Only use the same type of fuse that is described on the label close to the fuse.

6.1.1 Impulse control

When using impulse control, the change-over switch is operated by electric impulses. When you press the control button, the change-over switch is driven to the corresponding position (I, 0, II). The control impulse must last more than 100ms to take effect. A new command cannot be given until the change-over switch has reached the position of the previous command. Figure 6.3 shows the operation of the change-over switch with impulse control.



If a new command is given before the switch has reached the position of the previous command, the fuse (F1) may operate.

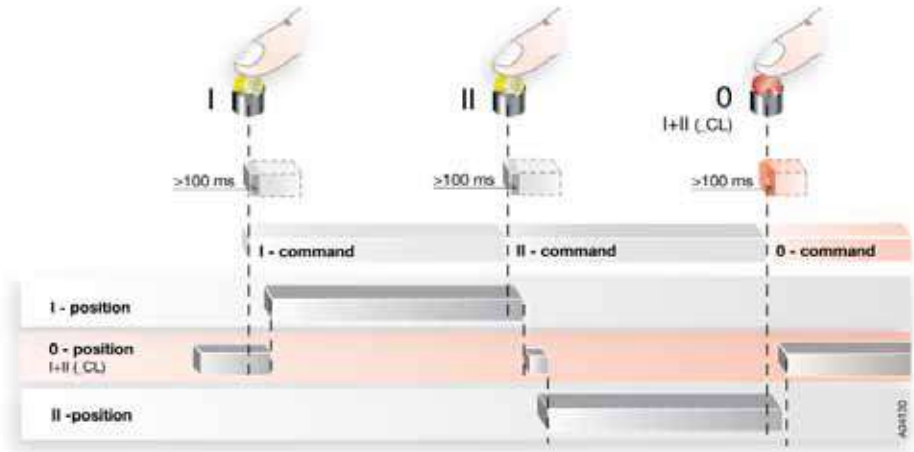


Figure 6.3 Impulse control

6.1.2 Continuous control

When using continuous control, the control command is supplied to the switch continuously. When you press the control button, the change-over switch is driven to the corresponding position (I, 0, II). Operation of position 0 will over-run control of the other positions; that is, if you simultaneously give the 0 command with another command, the change-over switch is driven to position 0. Figure 6.4 shows the operation of the change-over switch with continuous control.



The continuous control command can be given with push buttons, cam switches or with relays incorporated in PLC equipment or with other suitable contacts.

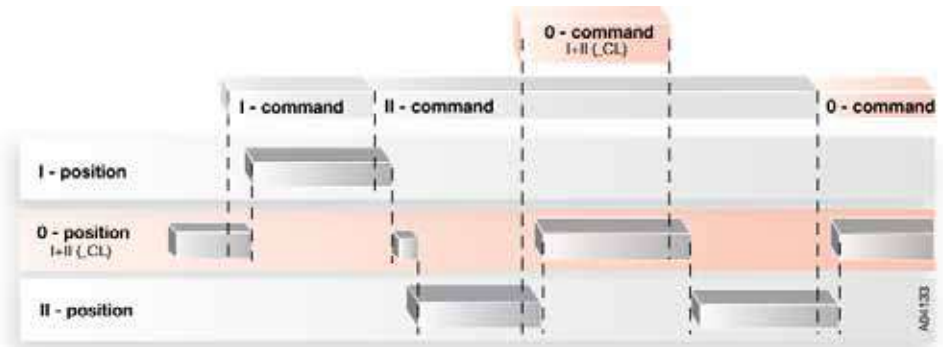


Figure 6.4 Continuous control

6.2 Manual operation by using the handle

You can operate the motorized change-over switch manually by using the handle that is included in the delivery.

To operate the motorized change-over switch manually:

1. Turn the Motor/Manual selector to the Manual (Man.) position, see Figure 6.5. The motor operator is switched off and electrical operation is prevented.

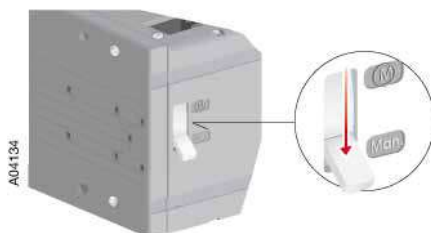


Figure 6.5 Motor/Manual selection in the Man. position

2. Attach the handle by pressing it to the switch panel until it clicks into place. You can attach the handle in all positions (I, 0, II), see Figure 6.6.



Figure 6.6 Attaching the handle

3. Operate the motorized change-over switch by turning the handle to the required position (I, 0, II).



Electrical operation is prevented when the handle is attached to the switch panel.

6.3 Locking

You can lock the motorized change-over switch to a specific position.

6.3.1 Locking the electrical operation

To disable electrical operation, lock the locking latch with a padlock. After the locking latch has been locked, the change-over switch cannot be operated electrically. You can lock the electrical operation in all positions (I, 0, II).

To lock electrical operation:

1. Pull up the locking latch under the change-over switch panel.
2. Place the padlock under the latch, see Figure 6.7.

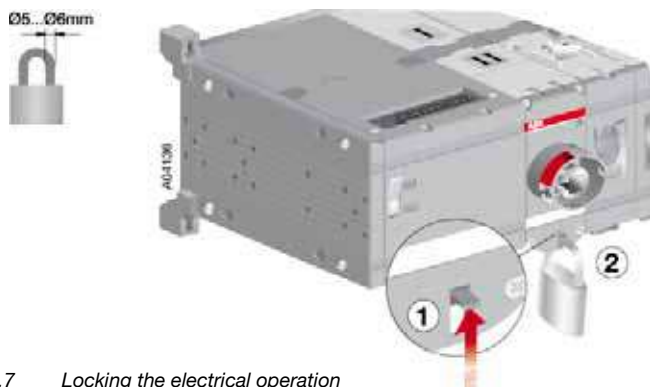


Figure 6.7 Locking the electrical operation



The handle cannot be attached when electrical operation is locked.

6.3.2 Locking the manual operation


By default, manual operation can only be locked to position 0. Locking to position I and II is optional and possible only with modifications to the switch panel.

To lock manual operation:

1. Turn the handle to the required position.
2. Pull out the clip from the handle and place the padlock on the handle; see Figure 6.8



Figure 6.8 Locking the manual operation

 The handle cannot be removed when padlocked to position 0.

The following chart shows the locking state information (the voltage on motor operator supply needed).

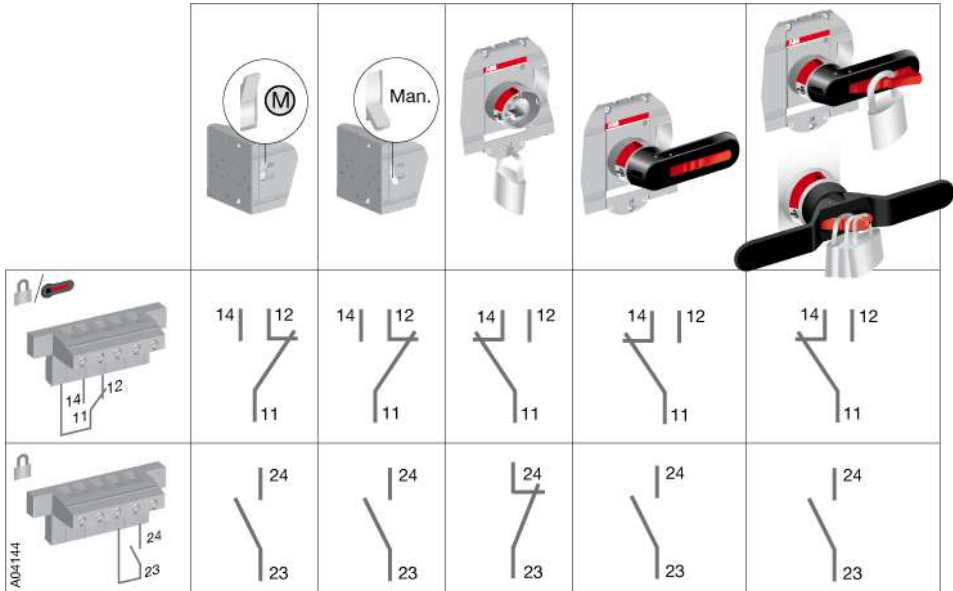


Figure 6.9 Locking state information

7. Technical data

Motor operator, control circuit	Value	Cabling
Rated operational voltage U [V]	220-240 Vac 50-60 Hz	
	110-125 Vac/dc 50-60 Hz	
	48 Vdc	
	24 Vdc	
Operating voltage range	0.85... 1.1 x U	
Operating angle	90° 0-I, I-0, 0-II, II-0; 180° I-0-II	
Operating time	See the Table 7.2	
Protection degree	IP 20, front panel	
Rated impulse withstand voltage U_{imp}	4 kV	
Voltage supply	PE N L	1,5 -2,5 mm ²
F2	Max. MCB 16 A	
Cable of the push-buttons (no SELV)	C II I 0	1,5 -2,5 mm ²
Maximum cable length	100 m	
State information of locking (no SELV)		
Handle attached or motor operator locked	11-12-14 (C/O)	1,5 -2,5 mm ²
Locking motor operator	23-24 (NO)	1,5 -2,5 mm ²
Operating temperature	-25... +55 °C	
Transportation and storage temperature	-40... +70 °C	
Altitude	Max. 2000 m	

Table 7.1 General technical data of motor operators

Type	Voltage U_o [V]	Nominal current ^{a)} I_n [A]	Current Inrush ^{a)} [A]	Operating time ^{a)} I-0, 0-I, 0-II, II-0 [s]	Operating transfer time ^{a)} I-II or II-I [s]	OFF-time when operating ^{a)} I-II or II-I [s]
OTM160...250_C	220-240 Vac	0,2	1,3	0,4 - 1,0	1,0 - 2,0	0,4 - 1,0
OTM160...250_C	110-125 Vac/dc	0,45	2,1	0,5 - 1,2	1,1 - 2,5	0,5 - 1,1
OTM160...250_C	48 Vdc	1,1	4,4	0,5 - 1,2	1,1 - 2,5	0,5 - 1,1
OTM160...250_C	24 Vdc	3,3	16,8	0,5 - 1,0	1,0 - 2,0	0,4 - 1,0
OTM315...400_C	220-240 Vac	0,5	2,1	0,4 - 1,0	0,9 - 2,0	0,4 - 1,0
OTM315...400_C	110-125 Vac/dc	0,6	2,5	0,5 - 1,5	1,2 - 2,6	0,5 - 1,5
OTM315...400_C	48 Vdc	2,1	8,3	0,4 - 1,0	1,0 - 2,0	0,4 - 1,0
OTM315...400_C	24 Vdc	4,2	17,5	0,4 - 1,0	1,0 - 2,0	0,4 - 1,0
OTM600...800_C	220-240 Vac	0,7	2,8	0,4 - 1,0	0,9 - 2,0	0,4 - 1,0
OTM600...800_C	110-125 Vac/dc	0,8	4,6	0,6 - 1,5	1,2 - 3,0	0,6 - 1,5
OTM600...800_C	48 Vdc	2,6	8,4	0,6 - 1,6	1,2 - 3,0	0,6 - 1,6
OTM600...800_C	24 Vdc	4,0	22,4	0,5 - 1,5	1,1 - 2,5	0,5 - 1,5
OTM1000...1600_C	220-240 Vac	1,8	7,7	0,5 - 1,5	1,5 - 3,0	0,5 - 1,5
OTM1000...1600_C	110-125 Vac/dc	3,0	13,3	0,5 - 1,5	1,5 - 3,0	0,5 - 1,5
OTM1000...1600_C	48 Vdc	5,3	22,4	0,5 - 1,5	1,5 - 3,0	0,5 - 1,5
OTM1000...1600_C	24 Vdc	8,0	26,6	1,0 - 2,0	2,0 - 3,5	0,8 - 1,7
OTM2000...2500_C	220-240 Vac	1,8	7,7	0,5 - 2,0	1,5 - 3,5	0,5 - 1,5
OTM2000...2500_C	110-125 Vac/dc	3,0	13,3	0,5 - 2,0	1,5 - 3,5	0,5 - 1,5
OTM2000...2500_C	48 Vdc	5,3	22,4	0,5 - 2,0	1,5 - 3,5	0,5 - 1,5
OTM2000...2500_C	24 Vdc	8,0	26,6	1,0 - 2,0	2,0 - 3,5	0,8 - 1,7

^{a)} Under nominal conditions

Table 7.2 Specified technical data of motor operators

Measurement	Value
Handle attached or motor operator locked	11-12-14 (C/O): 5 A AC-1 / 250 V
Locking motor operator	23-24 (NO): 5 A AC-1 / 250 V
SCPD	Max. MCB C2A

Table 7.3 State information

8. Accessories

8.1 Terminal clamp sets

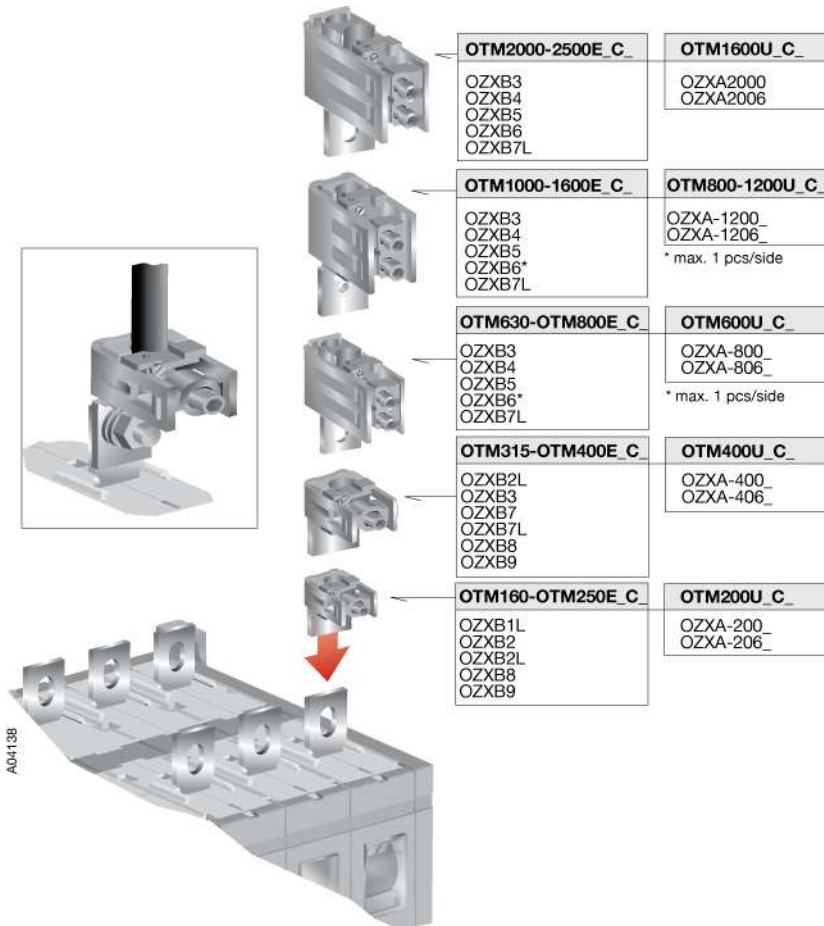


Figure 8.1 Mounting of the terminal clamp sets, types OZXB_ and OZXA_

8.2 Bridging bars

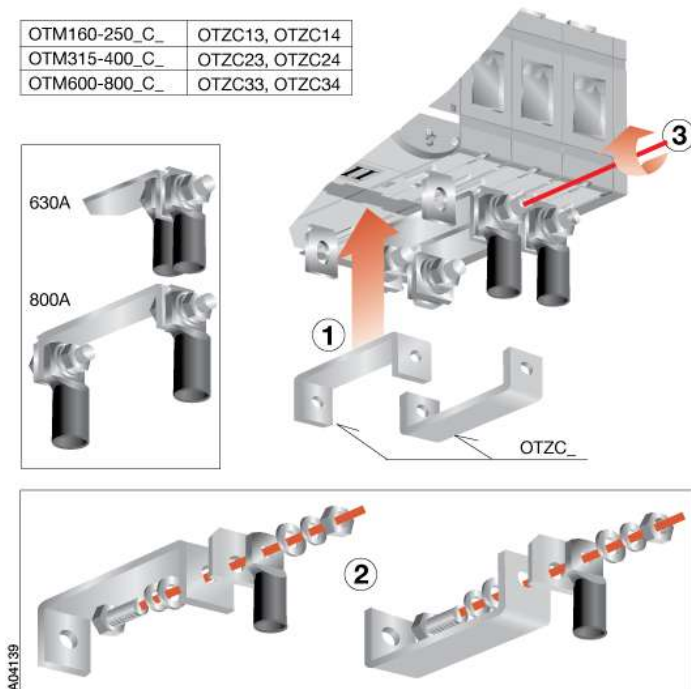


Figure 8.2 Mounting of the bridging bars (type OTZC_) to the motorized change-over switches OTM160-800E_C_

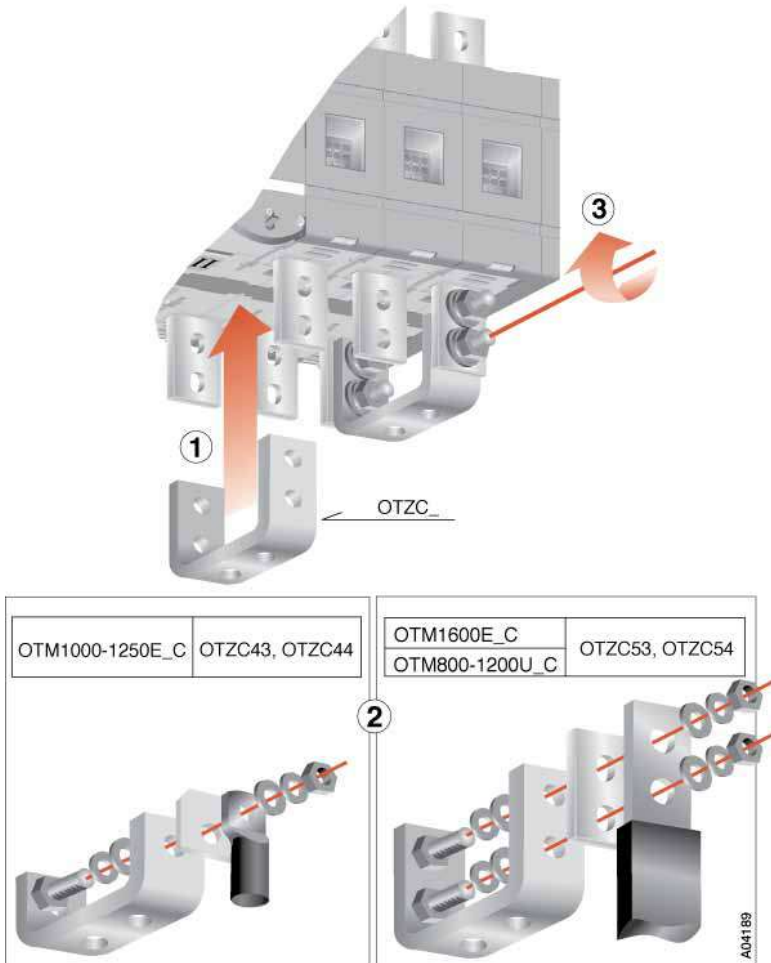


Figure 8.3 Mounting of the bridging bars (type OTZC_) to the motorized change-over switches OTM1000-1600E_C_ and OTM800-1200U_C_

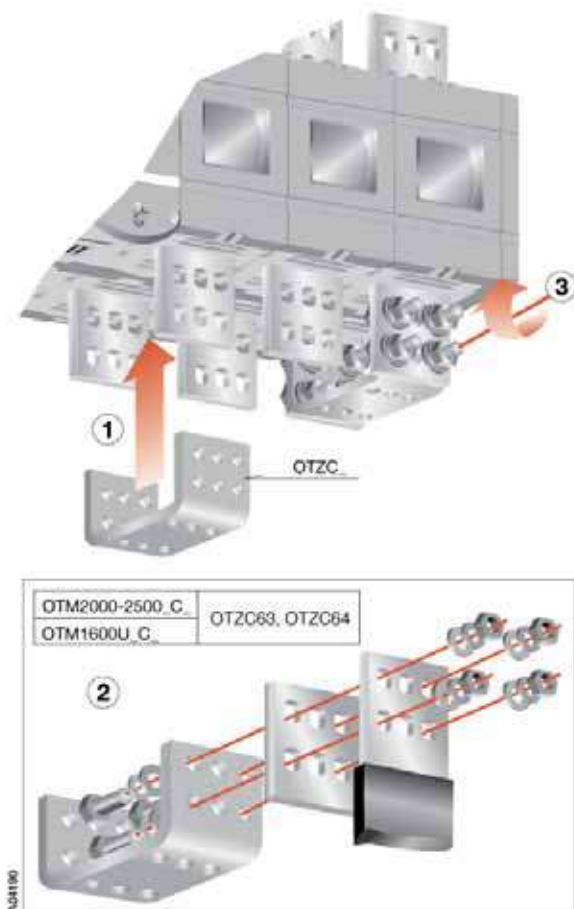


Figure 8.4 Mounting of the bridging bars (type OTZC_) to the motorized change-over switches OTM2000-2500E_C_ and OTM1600U_C_

8.3 Terminal shrouds

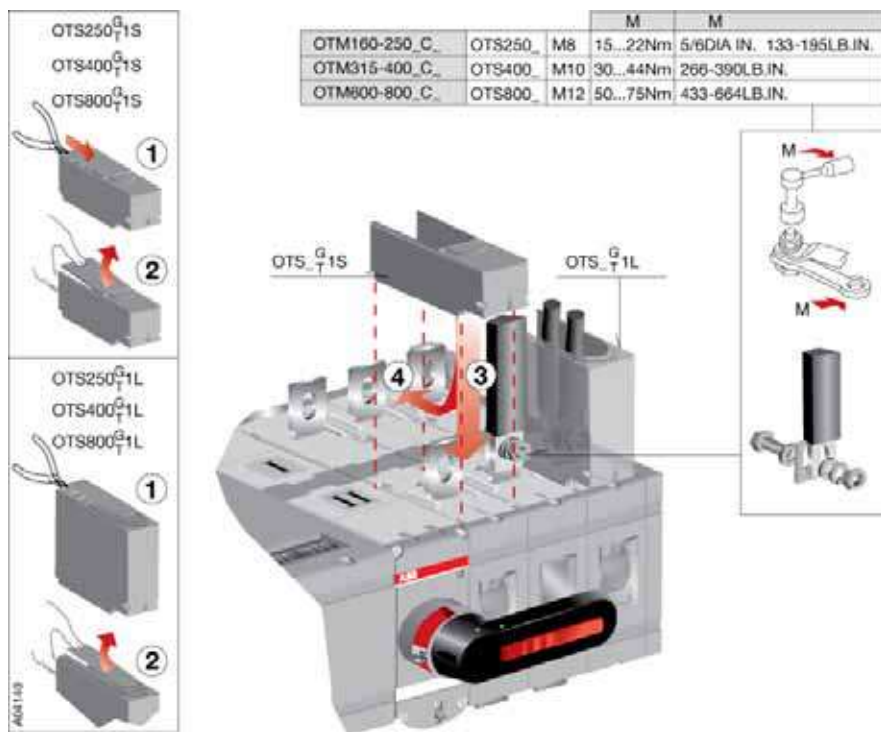


Figure 8.5 Mounting of the terminal shrouds (type OTS_) to the motorized change-over switches OTM160-800E_C_

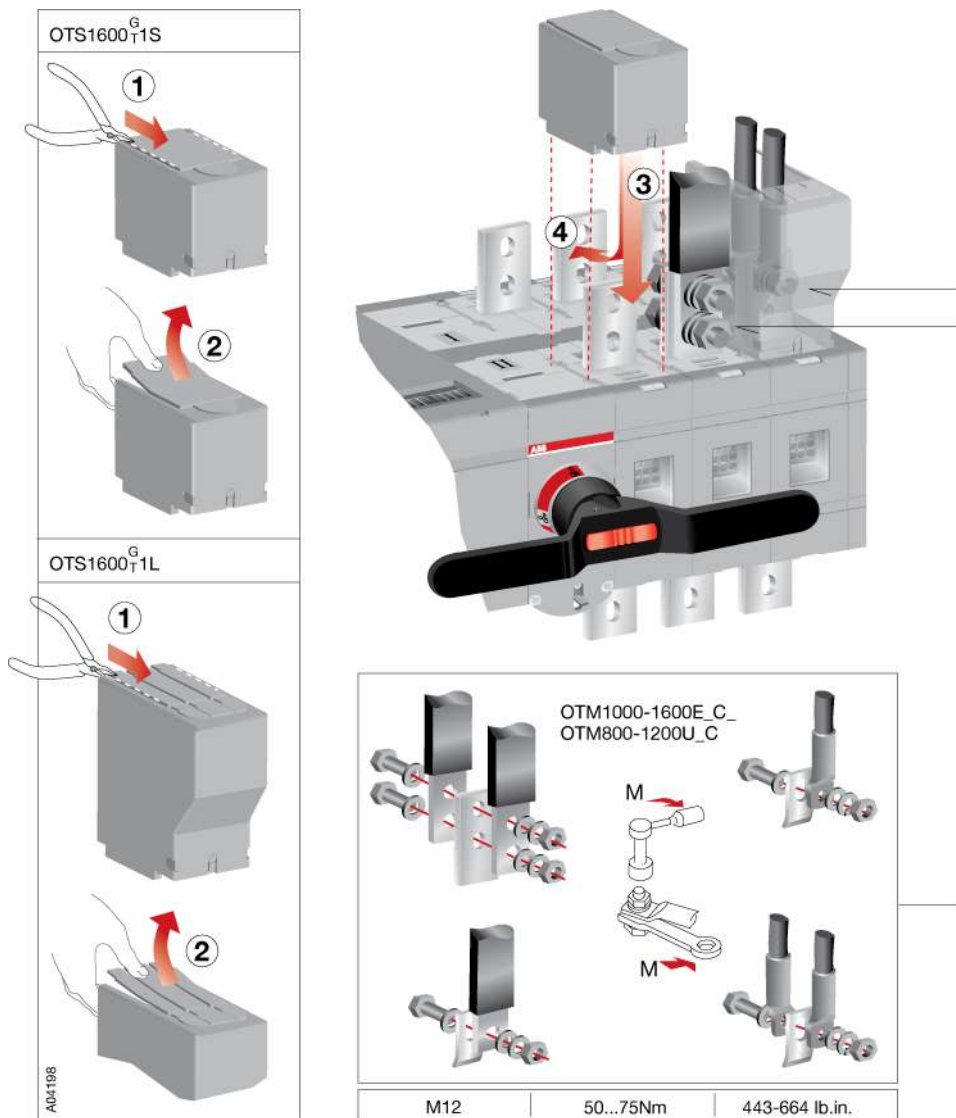


Figure 8.6 Mounting of the terminal shrouds (type OTS_) to the motorized change-over switches OTM1000-1600E_C_ and OTM800-1200U_C_

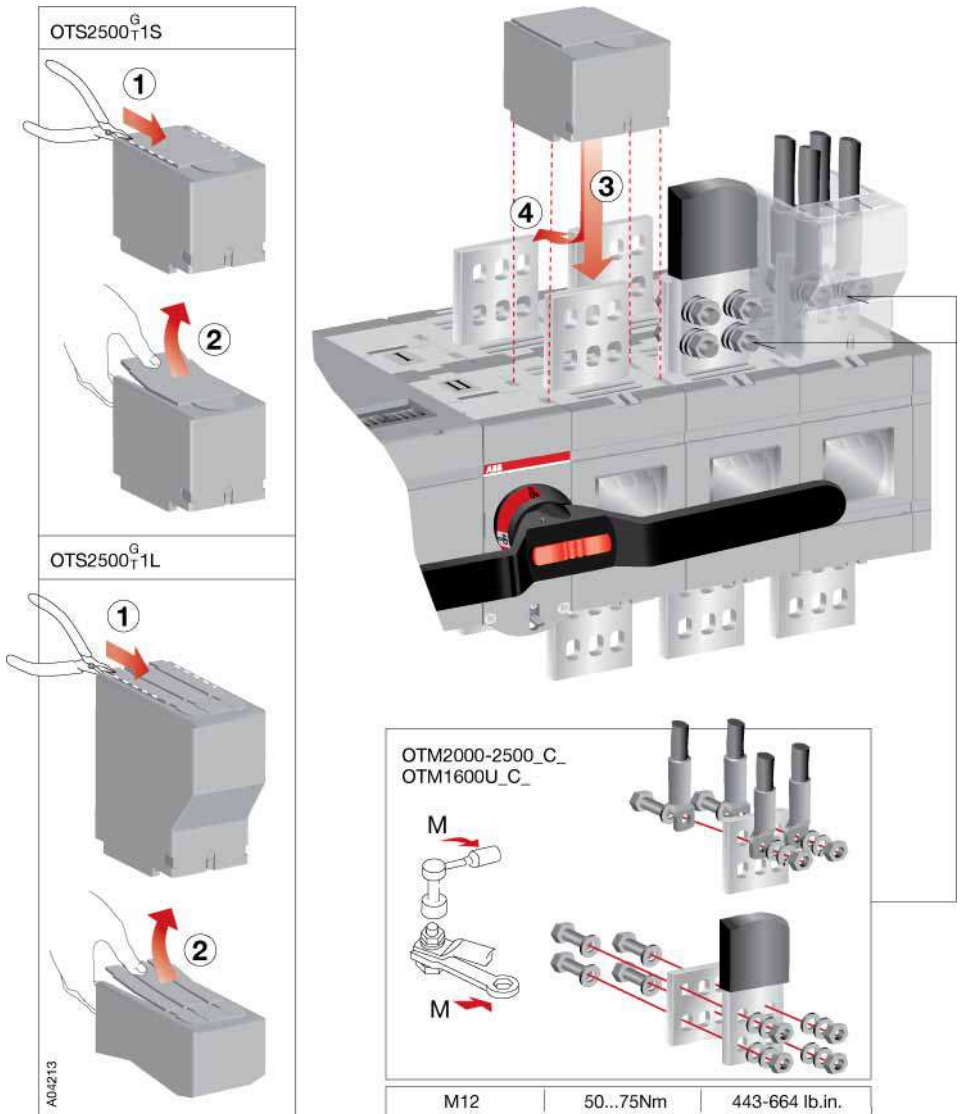
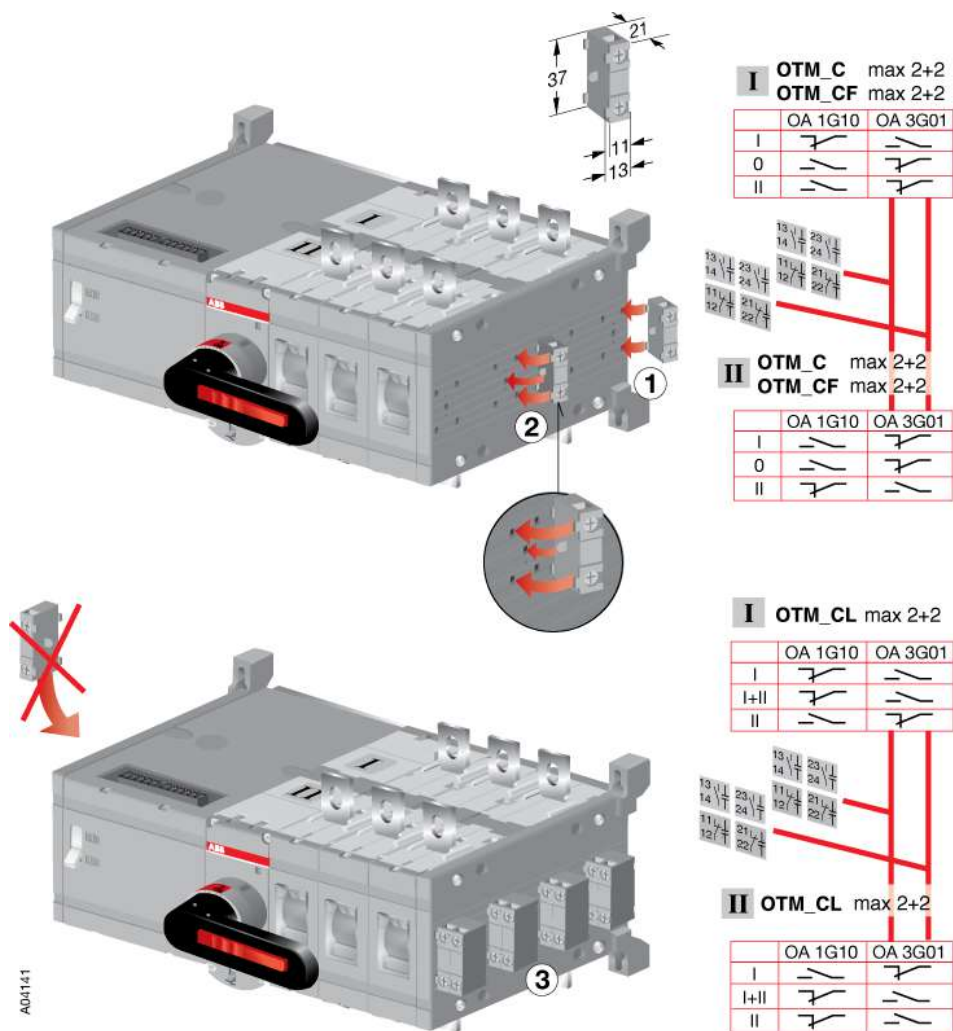


Figure 8.7 Mounting of the terminal shrouds (type OTS_) to the motorized change-over switches OTM2000-2500_C_ and OTM1600U_C_

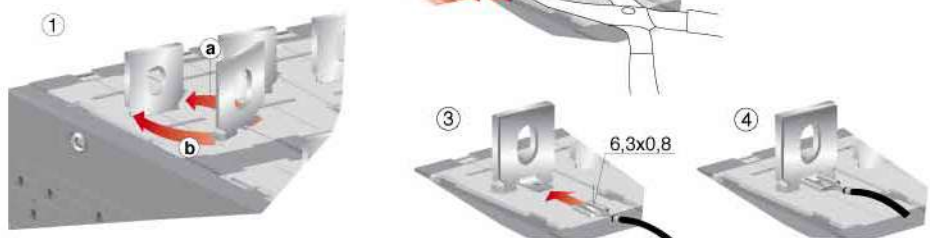
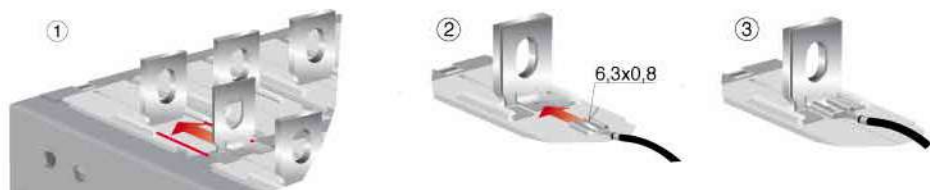
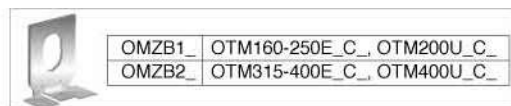
8.4 Auxiliary contacts



A04141

Figure 8.8 Mounting of the auxiliary contacts, type OA_

8.5 Voltage sensing connectors



8.6 Handle and spare fuse storage

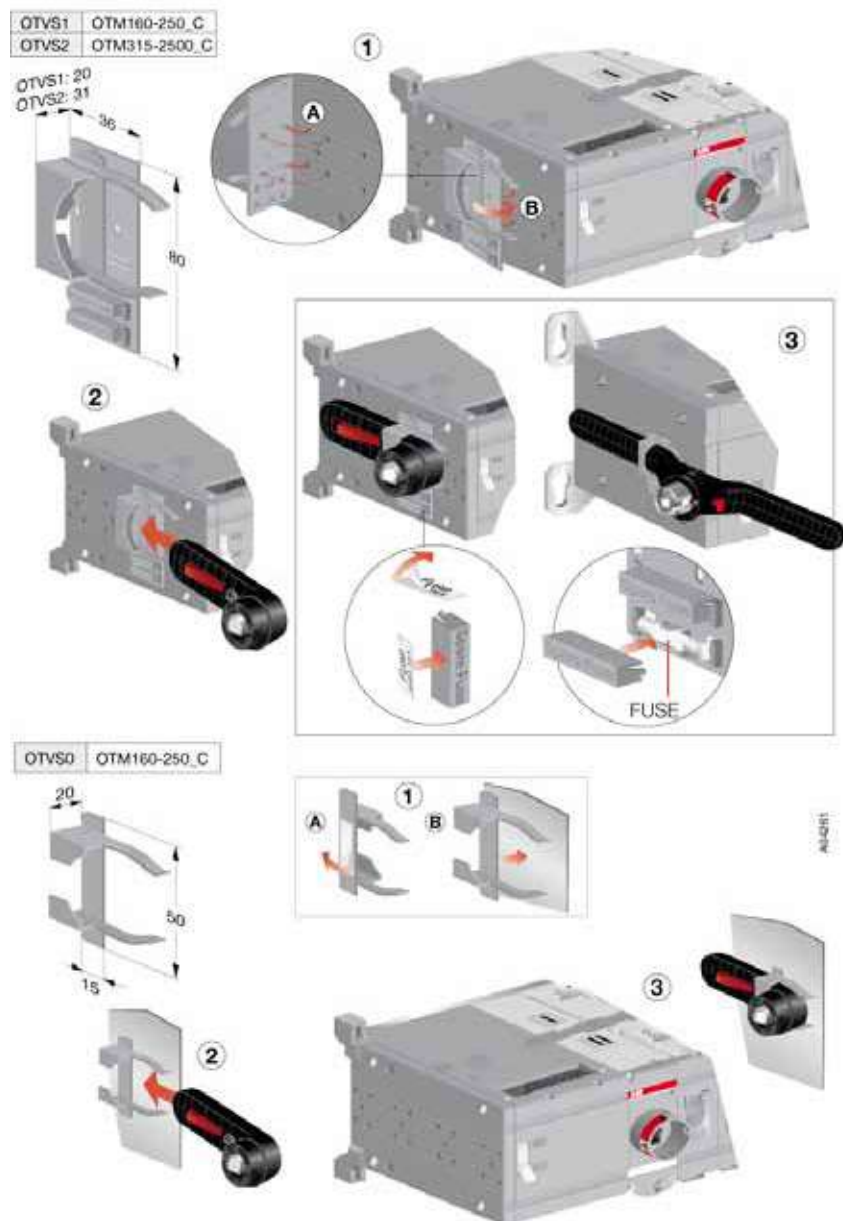
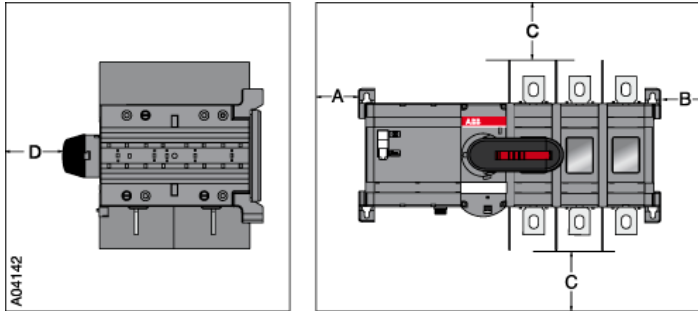


Figure 8.10 Handle and spare fuses can be stored on the motorized change-over switch by mounting the accessory OTVS_.

9. UL standard switches



	Current	Height	Width	Depth
OTM200U_C		406 mm/16 in	305 mm/12 in	203 mm/8 in
OTM400U_C		610 mm/24 in	356 mm/14 in	254 mm/10 in
OTM600U_C		610 mm/24 in	700 mm/28 in	400 mm/16 in
OTM800-1200U_C		1220 mm/48 in	610 mm/24 in	400 mm/16 in
OTM1600U_C		1200 mm/47 in	750 mm/30 in	400 mm/16 in

	A	B	D
OTM200-1600U_C	0	13 mm/0,5 in	13 mm/0,5 in

OTM200U_C			
Cable size		Cable size	
AWG	C	MCM	C
4-3	100 mm/4 in	250	200 mm/8 in
2	100 mm/4 in	300	250 mm/10 in
1	100 mm/4 in		
1/0	125 mm/5 in		
2/0	150 mm/6 in		
3/0-4/0	175 mm/7 in		

OTM400U_C			
Cable size		Cable size	
AWG	C	MCM	C
2	100 mm/4 in	250	250 mm/8 in
1	100 mm/4 in	300	250 mm/10 in
1/0	125 mm/5 in	350	350 mm/12 in
2/0	150 mm/6 in		
3/0-4/0	175 mm/7 in		

OTM600-1200U_C			
Cable size		Cable size	
AWG	C	MCM	C
2	100 mm/4 in	250	200 mm/8 in
1	100 mm/4 in	300	250 mm/10 in
1/0	125 mm/5 in	350	300 mm/12 in
2/0	150 mm/6 in	400	330 mm/13 in
3/0-4/0	175 mm/7 in	500	356 mm/14 in
		600	381 mm/15 in

OTM1600U_C	
Cable size	
MCM	C
250	200 mm/8 in
300	250 mm/10 in
350	300 mm/12 in
400	330 mm/13 in
500	356 mm/14 in
600	381 mm/15 in

Figure 9.1 Clearances per UL 98, minimum enclosure size or equivalent volume

9.1 Phase barriers

Phase barriers or shrouds (see section 8.3) must be used to maintain a clearance of 1 inch on the motorized change-over switch types: OTM600U_C_, if the conductors are wider than 39 mm /1,54 in (phase barrier 68838), on OTM800-1200U_C_, if the lugs are wider than 54 mm /2,13 in (phase barrier 68912) and on OTM1600U_C_, if the lugs are wider than 100 mm / 3,94 in (phase barrier 68912).

Phase barriers 68912 must be used on motorized change-over switches types OTM1000-2500_C_ if the voltage is > 415 V.

The types for the package of 6 barriers are: 68838 = OTB800/6C and 68912 = OTB1600/6C .

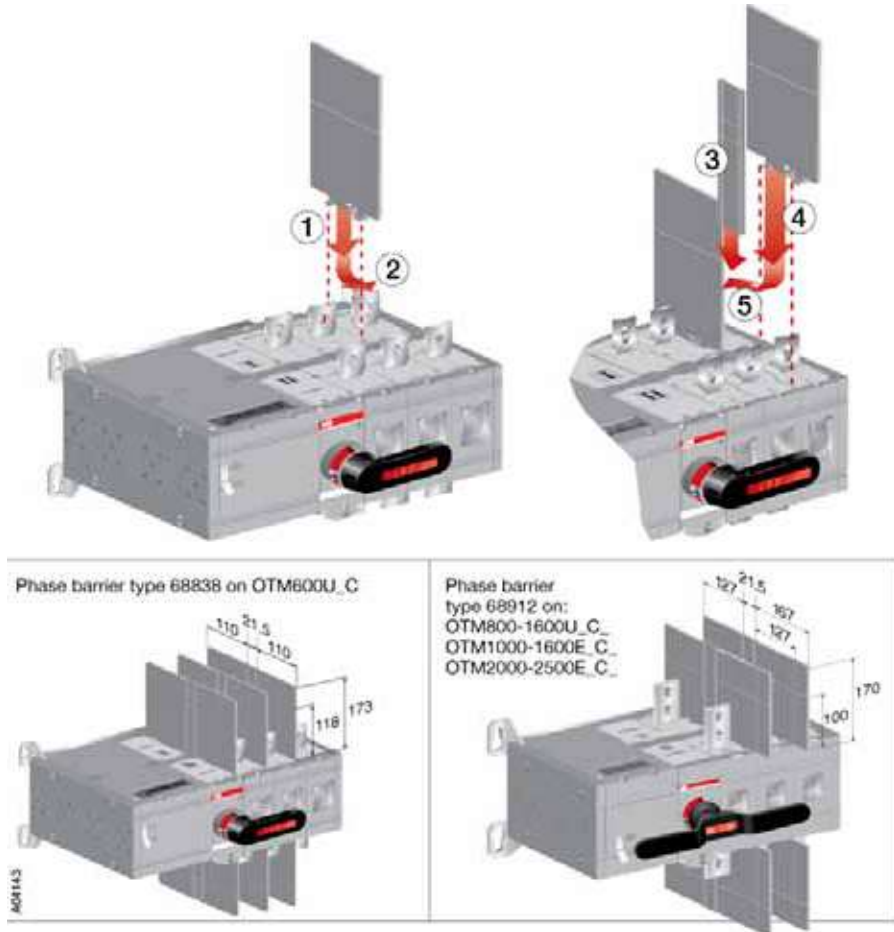


Figure 9.2 OTM600U_C, OTM800-1600U_C_ and OTM1000-2500E_C_ mounting of phase barriers



ABB Oy

Low Voltage Switches

P.O Box 622

FI-65101 VAASA, Finland

Telephone +358 10 22 11

Telefax +358 10 22 45708

www.abb.com

Printed by: Waasa Graphics Oy, Vaasa Finland
Produced by: GRAFIMER, Vaasa Finland

The technical data and dimensions are valid at the time of printing. We reserve the right to subsequent alterations.