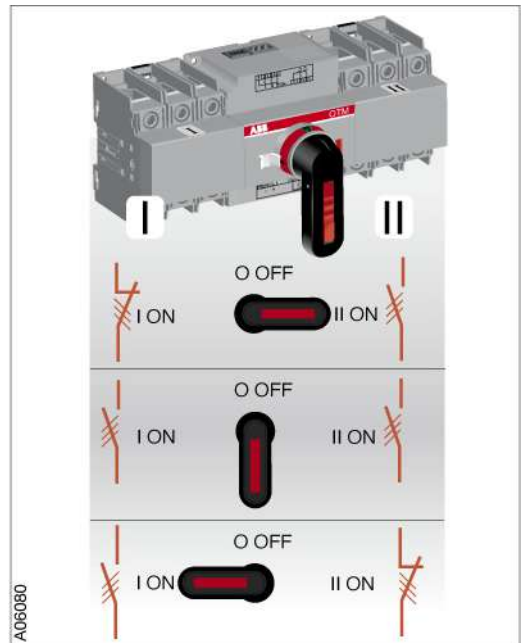


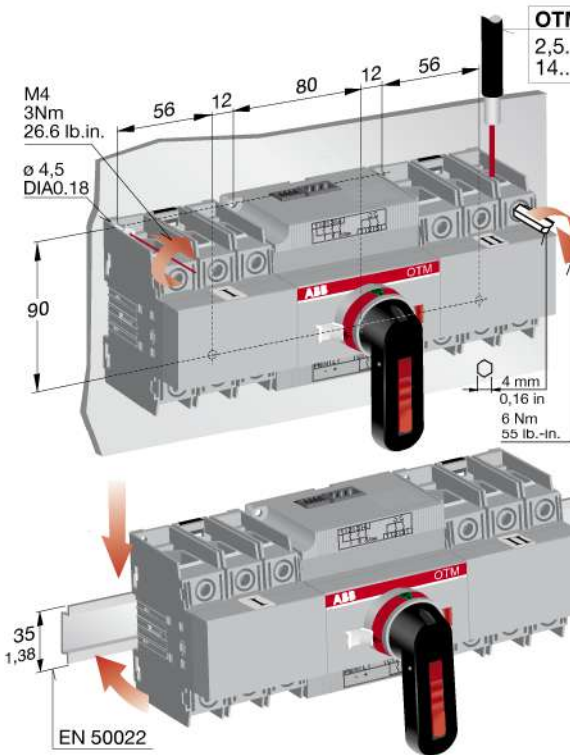




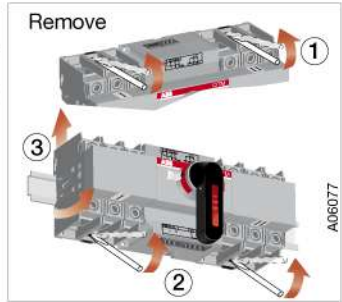
# Contents

Mounting and dimensional drawings .....	4
Mounting positions.....	5
Control circuit.....	5
Manual operation: Local.....	6
Electrical operation: Remote.....	6
Automatic operation.....	7
Impulse control.....	8
Continuous control.....	8
Locking.....	9
Locking state information.....	9
Technical data .....	10
Terminal clamp sets: OZX.....	11
Bridging bars: OMZC.....	11
Terminal shrouds: OTS_ .....	12
Auxiliary contact blocks: OA_ .....	13
Handle storage: OTVS0.....	13
Fourth pole: OTP_ .....	14

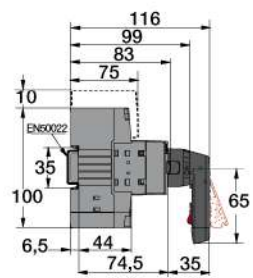
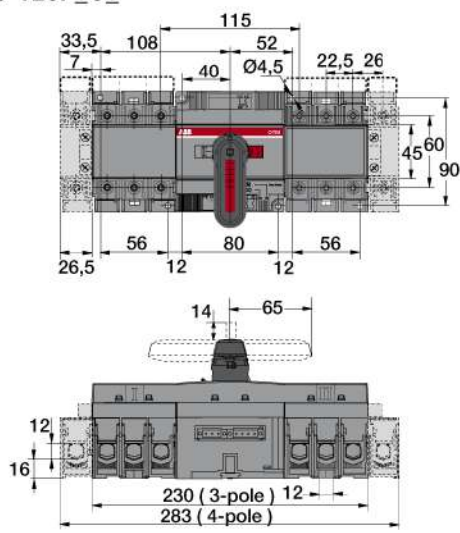




OTM40	OTM63-125
2,5...25mm <sup>2</sup> / 2 x 2,5 -16mm <sup>2</sup>	10...70mm <sup>2</sup>
14...4 AWG / 2 x 14 - 6 AWG	8...2/0 AWG



OTM30-125F\_C\_



M00352/OTM30-125F\_C\_M\_A

## Mounting positions

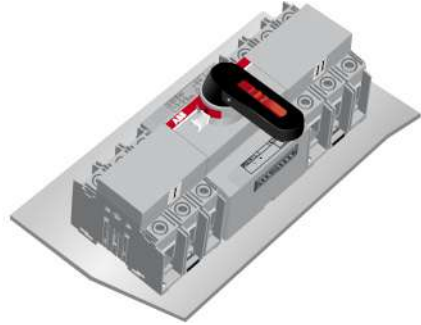


ABB076

## Control Circuit



Only an authorised electrician may perform the electrical installation and maintenance of motorized switch. Do not attempt any installation or maintenance actions when a motorized switch is connected to the electrical mains. Before starting work, make sure that the switch is de-energised.

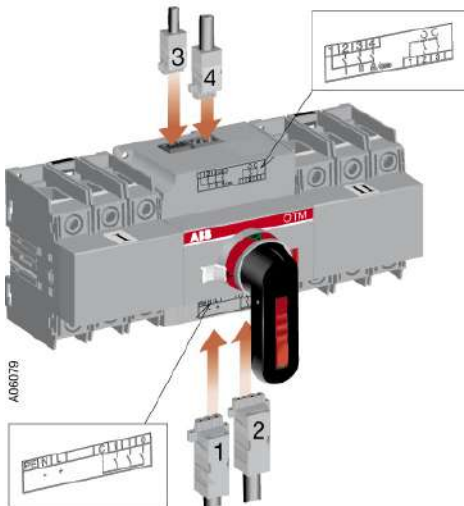
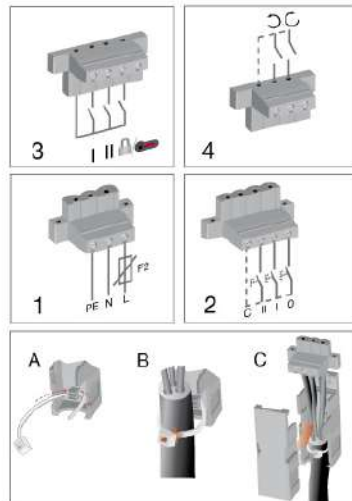


ABB079

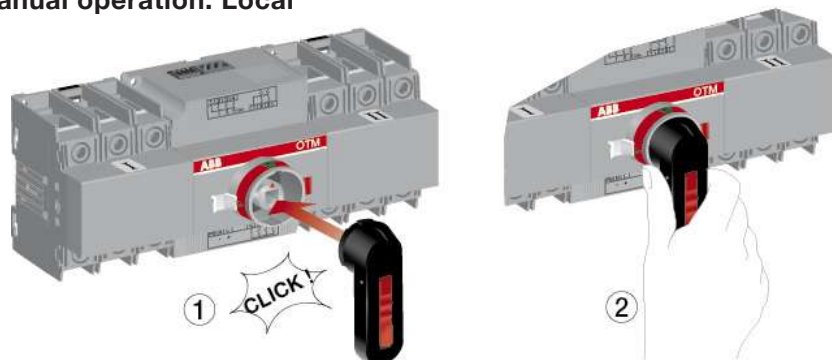


1. Terminal for motor operator voltage supply
2. Control terminal for push buttons
3. Terminal for state information (also used with the automatic control unit)
4. Control terminal for automatic control unit (If used OMD controller)



Do not couple power for the control terminal. See the correct terminal for the power supply.

## Manual operation: Local



Electrical operation is prevented when the handle is attached to the switch panel.

## Electrical operation: Remote



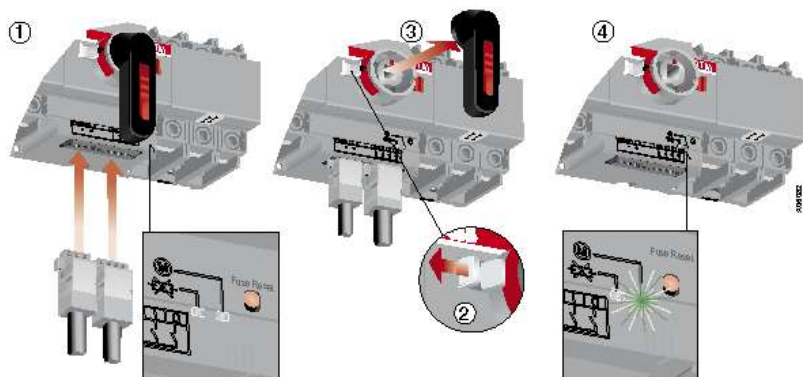
Never open any covers on the product. There may be dangerous external control voltages inside the motorized switch even if the voltage is turned off.



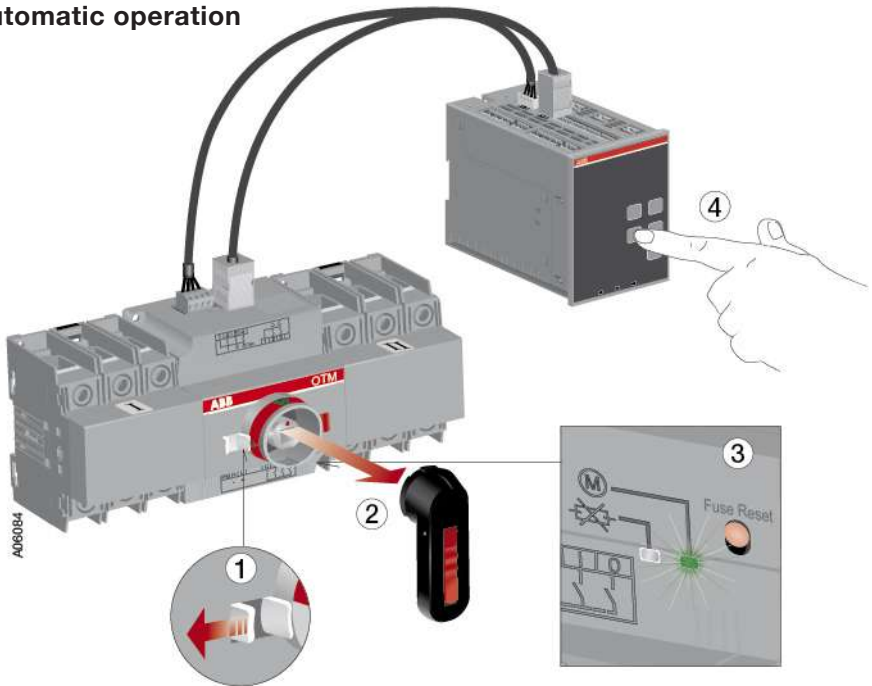
Never handle control cables when the voltage of the motorized switch or external control circuits are connected.



Exercise sufficient caution when handling the unit.

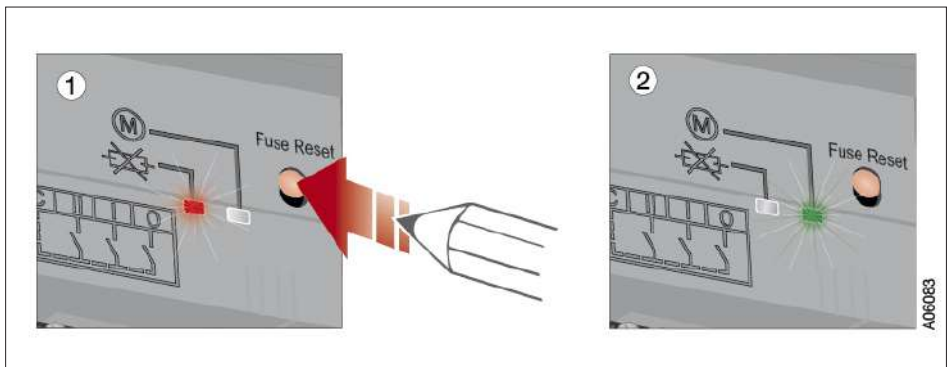


## Automatic operation

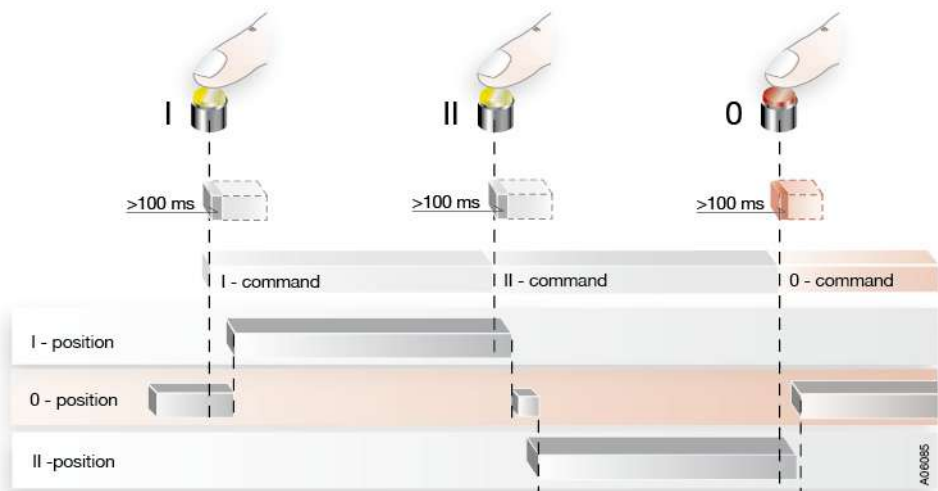


See detailed installation instructions for OMD controllers from OMD user manuals.

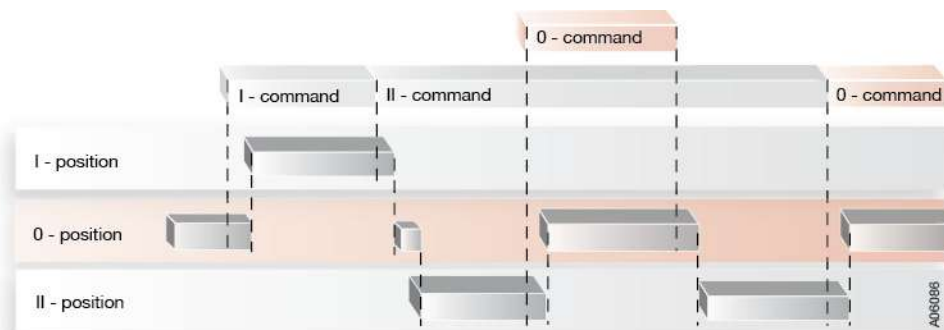
## Resetting Fuse



## Impulse control



## Continuous control



If a new command is given before the switch has reached the position of the previous command, the internal protection may operate.

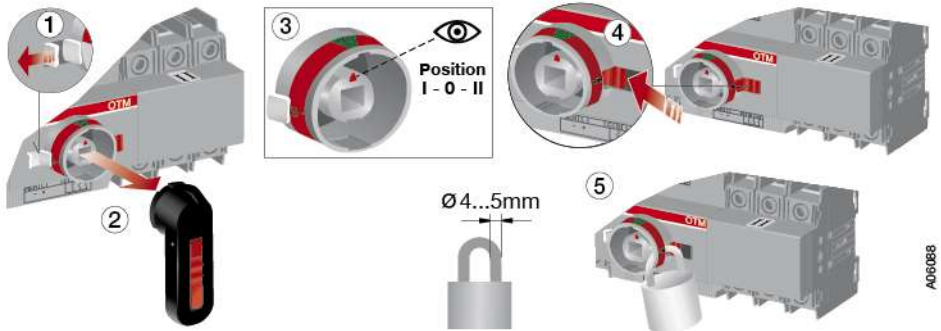


## Locking

Prevent manual and electrical operation.

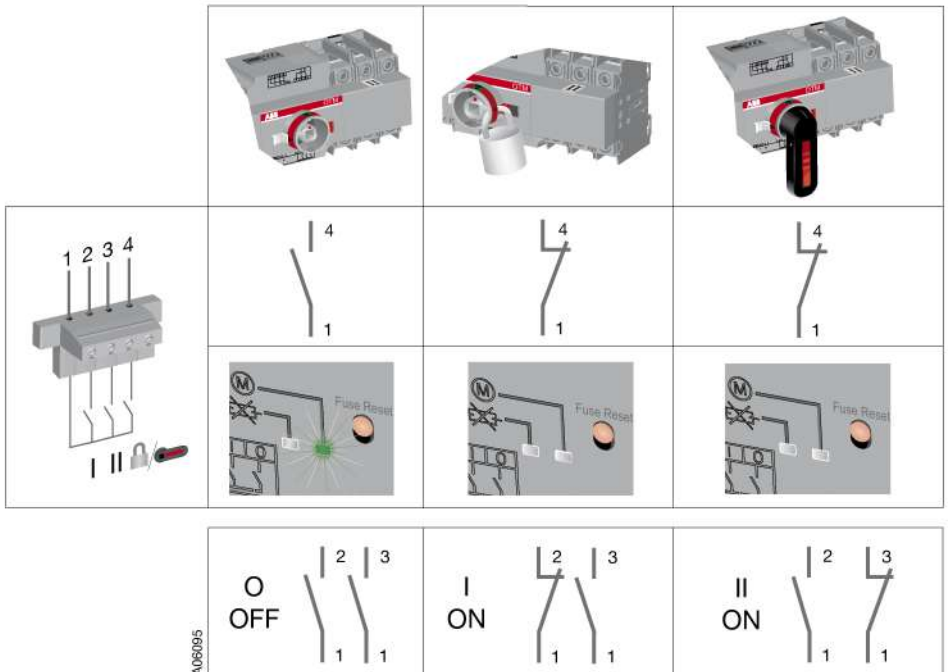


Locking possible at any position. Check position before locking.



A06068

## State information



A06095

## Technical data

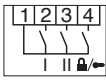
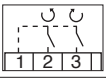
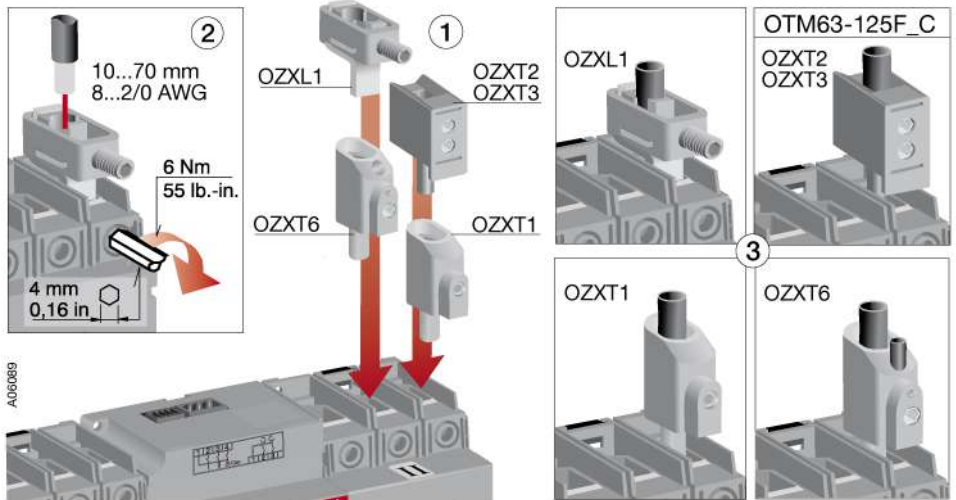
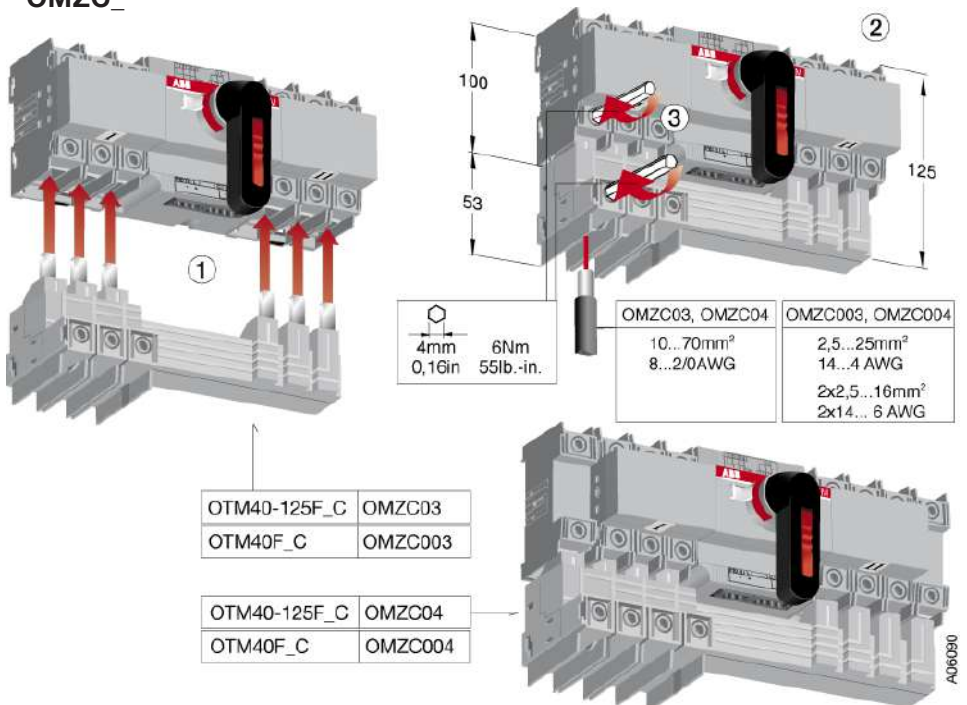
Motor operator, control circuit	Value	Cabling/Rating
Rated operational voltage U [V]	110-240 Vac/dc 50-60Hz	
	24 Vdc	
Operating voltage range	0.85... 1.1 x U	
Operating angle	90° 0-I, I-0, 0-II, II-0; 180° I-0-II	
Operating time	See Table 2	
Protection degree	IP 20, front panel	
Rated impulse withstand voltage Uimp	4 kV	
Voltage supply	<b>PE N L</b>	1,5 -2,5mm <sup>2</sup>
	F2	Max. MCB 16A
Control terminal for the push-buttons	<b>C II I O</b>	1,5 -2,5mm <sup>2</sup>
Maximum cable length	100 m	
Terminal for state information Also used with the automatic control unit		1,5mm <sup>2</sup> 3A AC-1/250V
Common, voltage supply	<b>1</b>	
Position of change-over switch I	<b>2</b>	
Position of change-over switch II	<b>3</b>	
Handle attached or motor operator locked	<b>4</b>	
	SCPD	Max. MCB C2A
Control terminal for automatic control unit If used OMD_ controller		1,5-2,5mm <sup>2</sup>
Common, voltage supply from motor operator	<b>1</b>	24VDC
Close switch I or open switch II	<b>2</b>	24VDC 500mW
Close switch II or open switch I	<b>3</b>	24VDC 500mW
Operating temperature	-25... +55 °C	
Transportation and storage temperature	-40... +70 °C	
Altitude	Max. 2000m	

Table 1 General technical data of motor operators

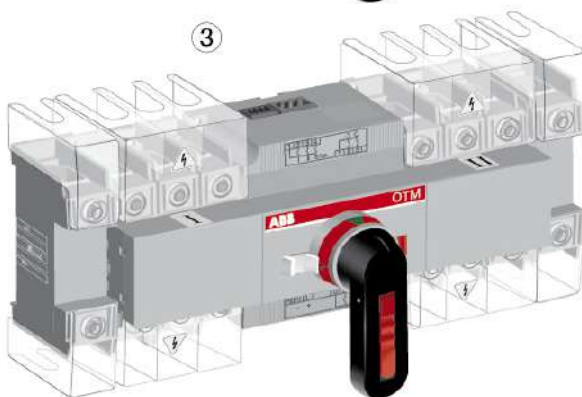
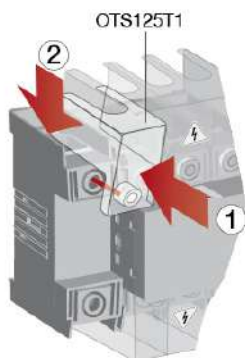
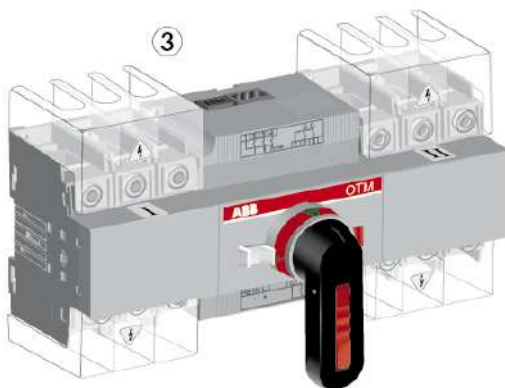
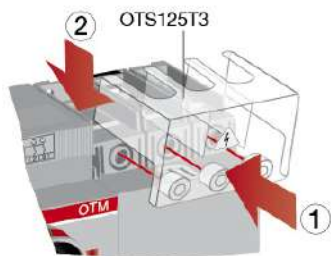
Type	Voltage U <sub>e</sub> [V]	Nominal current <sup>a)</sup> I <sub>n</sub> [A]	Current Inrush <sup>a)</sup> [A]	Operating time <sup>a)</sup> I-0, 0-I, 0-II, II-0 [s]	Operating transfer time <sup>a)</sup> I-II or II-I [s]	OFF-time when operating <sup>a)</sup> I-II or II-I [s]
OTM40...125_C	110-240 Vac/dc	0,2 - 0,5	1,5 - 3,0	0,5 - 1,0	1,2 - 1,5	0,4 - 0,8
	24 Vdc	0,6	3,6	0,6 - 1,3	1,4 - 2,1	0,6 - 1,0

a) Under nominal conditions

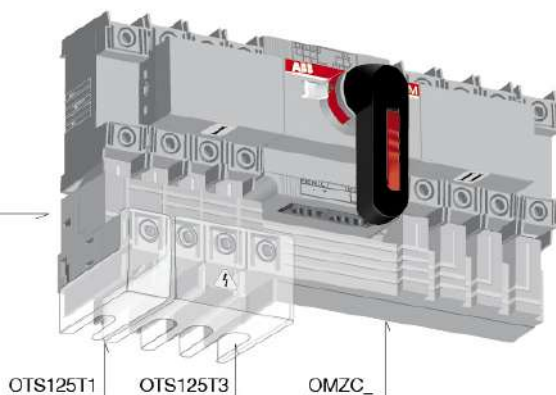
Table 2 Specified technical data of motor operators

**OZX\_****OMZC\_**

# OTS\_

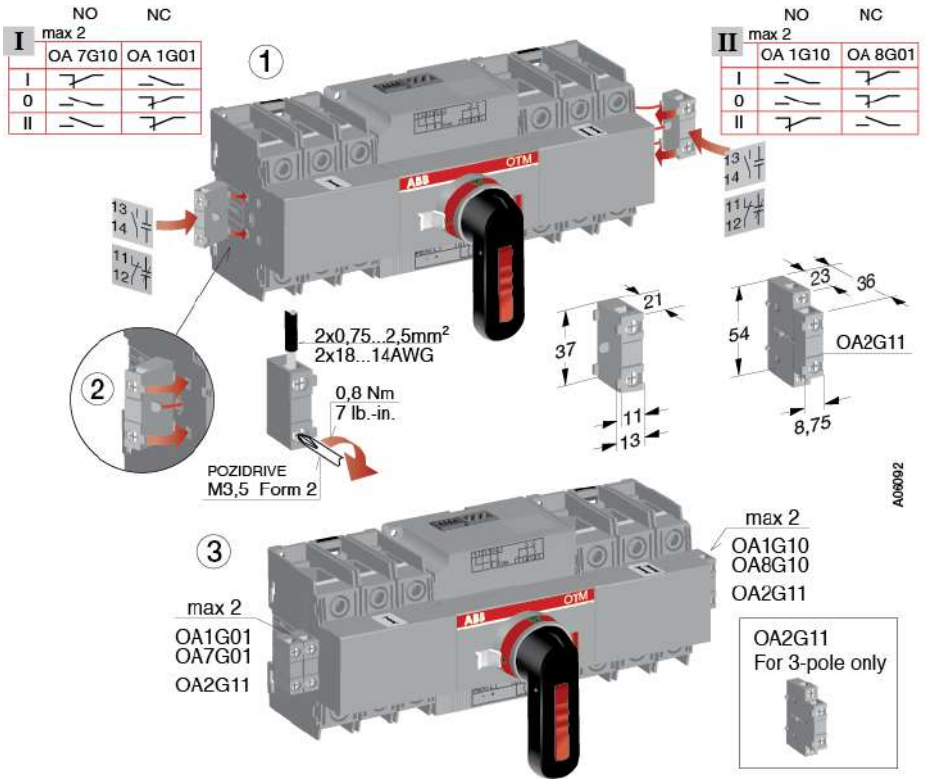


OMZC03, OMZC003
OTS125T3
OMZC04, OMZC004
OTS125T3 + OTS125T1

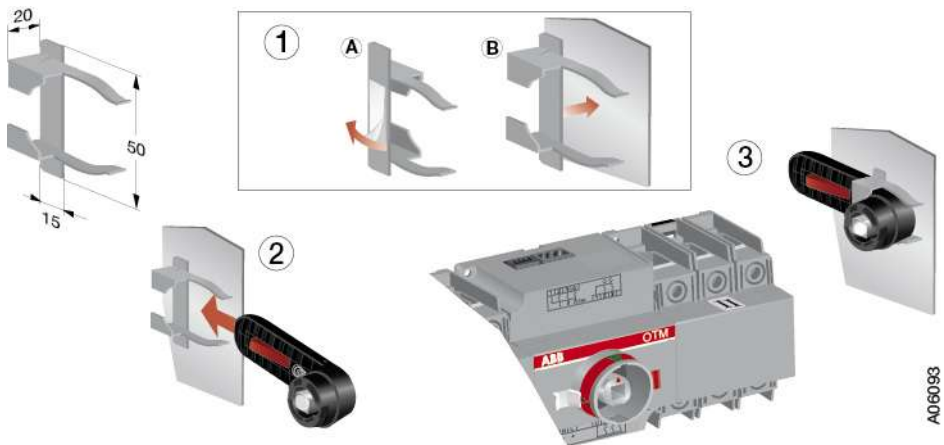


AC6001

## OA\_



## OTVS0



## OTP\_



OTPD60FP
OTPD125FP

<b>OTM40</b>	OTPS60FP	OTPL60FP	OTPN60FP	OTPE60FP
<b>OTM63-125</b>	OTPS125FP	OTPL125FP	OTPN125FP	OTPE125FP
	(N)7 L4   (N)8 T4	N   N	N   N	PE ⊕ PE



<b>OTM63-125</b>
10...70mm <sup>2</sup> 8...2/0 AWG
<b>OTM40</b>
2,5...25mm <sup>2</sup> 14...4 AWG 2 x 2,5 -16mm <sup>2</sup> 2 x 14...6 AWG

6 Nm  
55 lb.-in.

4 mm  
0,16 in

A06034





**ABB Oy**

Low Voltage Switches

P.O Box 622

FI-65101 VAASA, Finland

Telephone +358 10 22 11

Telefax +358 10 22 45708

[www.abb.com](http://www.abb.com)

The technical data and dimensions are valid at the time of printing. We reserve the right to subsequent alterations.