

# Manual change-over and transfer switches OT\_C

Installation instruction

34OT160-2500\_C / 1SCC303008M0203



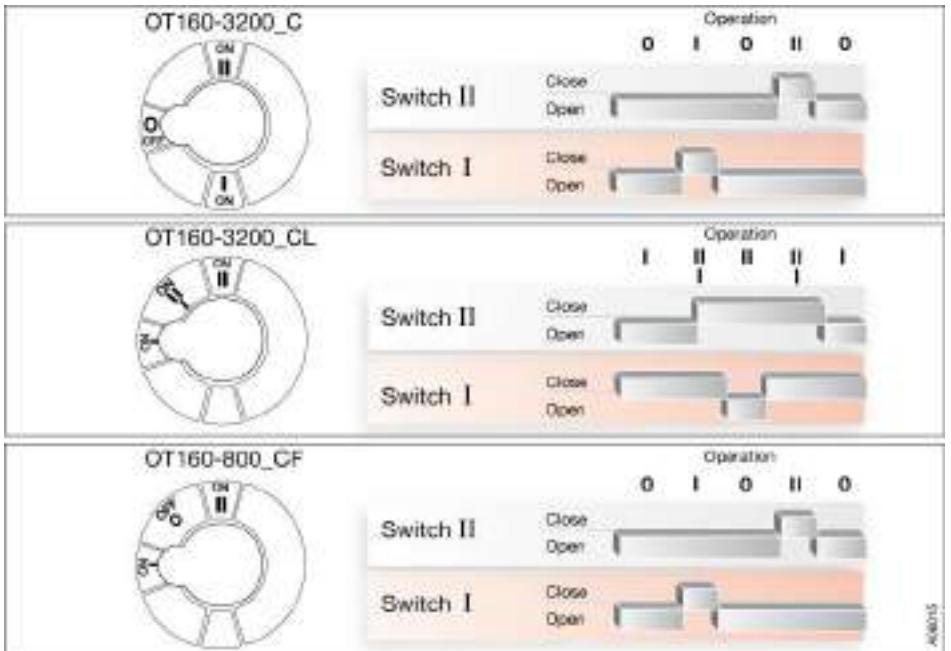
**ABB**

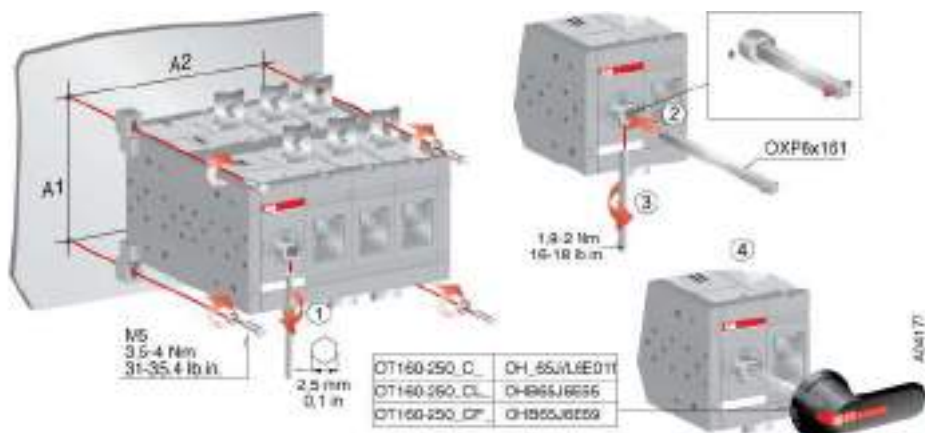


# Contents

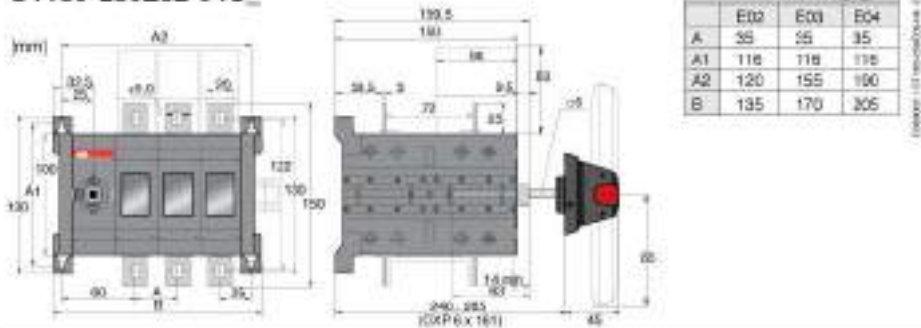
Operation.....	3
Mounting and dimensional drawings .....	4-13
OT160-250_C .....	4-5
OT315-400_C .....	6-7
OT600-800_C .....	8-9
OT1000-1600_C .....	10-11
OT2000-2500_C .....	12
OT3200_C .....	13
Mounting positions.....	14
Label.....	14
Connections .....	14
Terminal clamp sets OZX .....	15
Bridging bars OTZC .....	16-17
Reversing bars OTZR .....	18
Auxiliary contacts OA .....	18
Voltage sensing connectors OMZB .....	19
Terminal shrouds OTS .....	20-21
Handles, direct mounting OTV .....	22-23
Clearances per UL98.....	24
Phase barriers OTB .....	25-26

## Operation

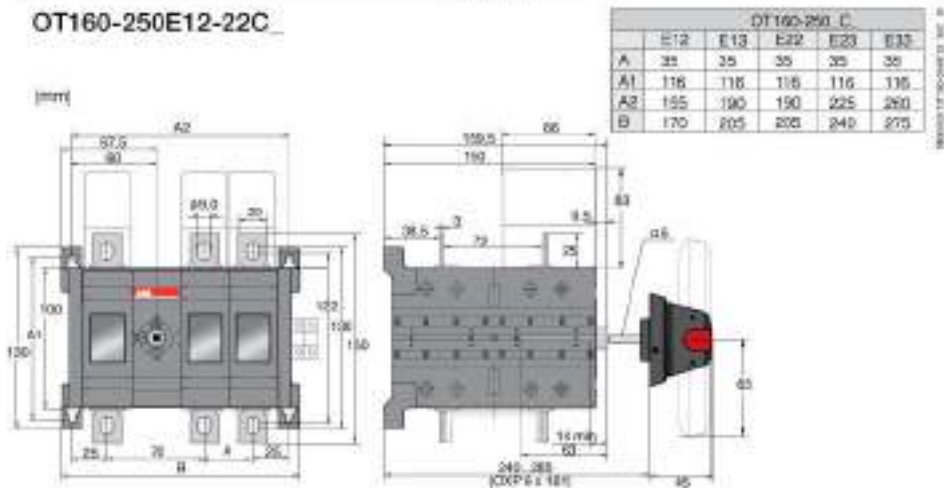




### OT160-250E02-04C

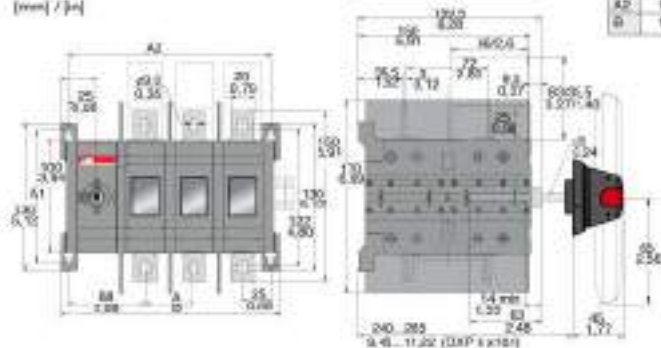


### OT160-250E12-22C



### OT200U02-04C\_

[mm] / [in]



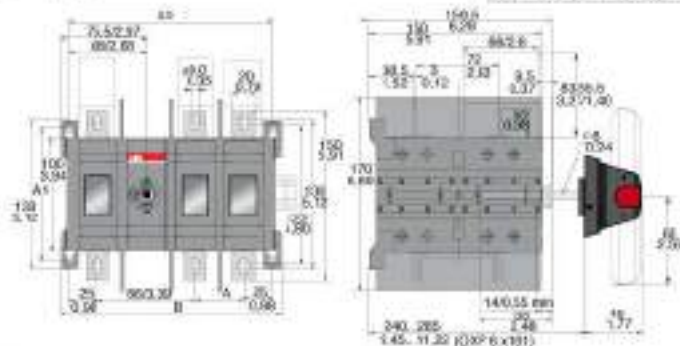
	OT200_C_		
	U02	U03	U04
A	42 / 1.69	42 / 1.69	43 / 1.69
A1	116 / 4.57	116 / 4.57	116 / 4.57
A2	134 / 5.28	170 / 7.00	222 / 8.74
B	15 / 0.59	164 / 7.44	227 / 9.33

© 2009 ABB. ABB is a trademark of ABB.

ABB

### OT200U12-22C\_

[mm] / [in]

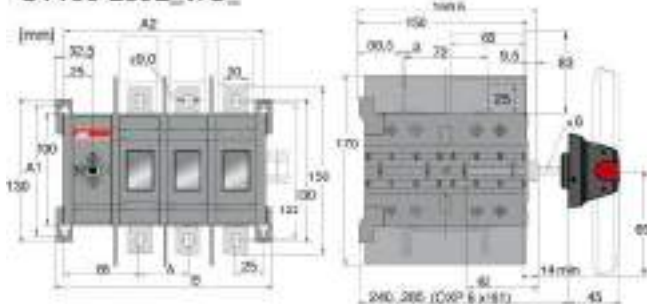


	OT200_C_				
	U12	U13	U22	U23	U23
A	42 / 1.69	43 / 1.69	43 / 1.69	43 / 1.69	43 / 1.69
A1	116 / 4.57	116 / 4.57	116 / 4.57	116 / 4.57	116 / 4.57
A2	125 / 7.65	222 / 8.75	222 / 8.74	225 / 10.40	266 / 12.13
B	134 / 7.44	227 / 9.34	227 / 9.33	260 / 11.02	265 / 12.19

© 2009 ABB. ABB is a trademark of ABB.

### OT160-250E WC\_

[mm]

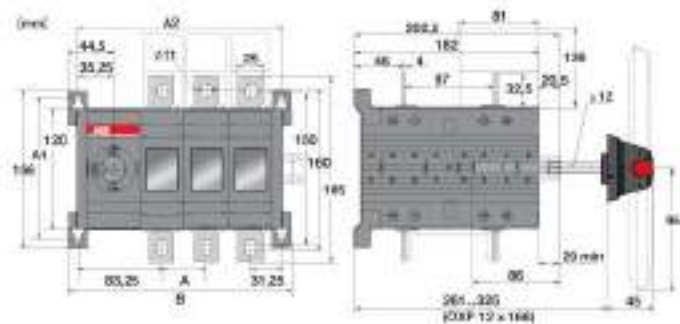


	OT160-250E_WC_		
	EQ2	EQ3	EQ4
A	43	43	43
A1	118	118	118
A2	139	179	222
B	15	134	227

© 2009 ABB. ABB is a trademark of ABB.



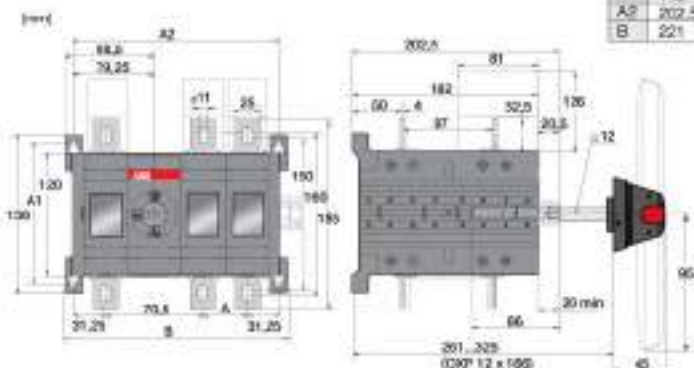
### OT315-400E02-04C\_



OT315-400_C			
	E02	E03	E04
A	44	44	44
A1	142	142	142
A2	168,5	202,5	240,5
B	177	221	265

000000135-400033-04\_1\_1

### OT315-400E12-22C\_

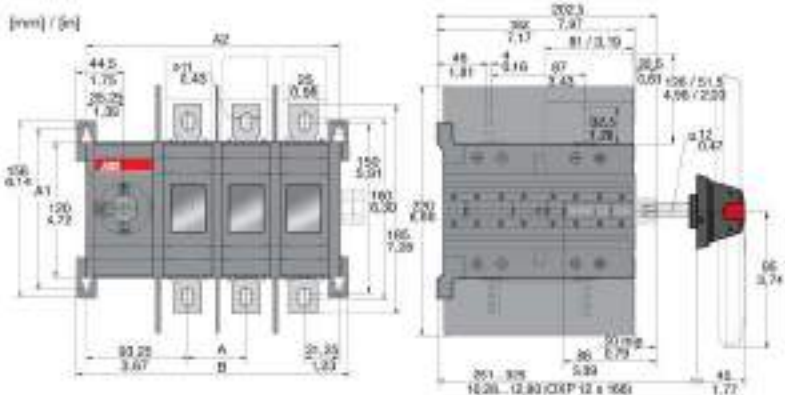


OT315-400_C					
	E12	E13	E22	E23	E23
A	44	44	44	44	44
A1	142	142	142	142	142
A2	202,5	240,5	248,5	256,5	314,5
B	221	265	265	306	253

000000135-400033-04\_1\_1

**OT400U02-04C**

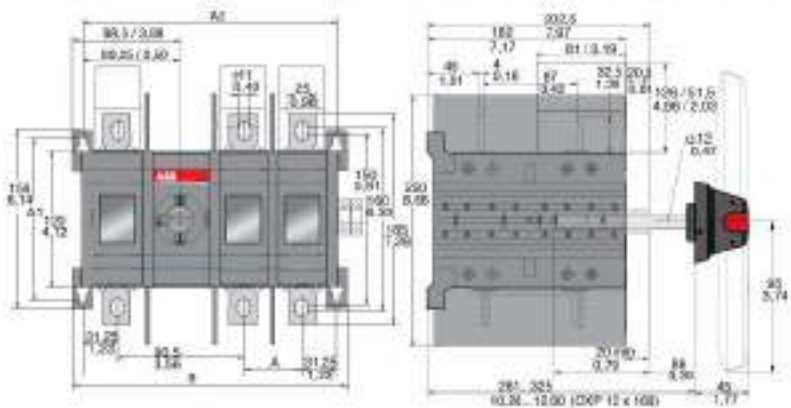
	OT400_C		
	1800	1600	1500
A	54 / 2.13	54 / 2.13	54 / 2.13
A1	142 / 5.59	142 / 5.59	142 / 5.59
A2	175.5 / 7.00	232.5 / 9.15	288.5 / 11.28
B	197 / 7.76	251 / 9.88	305 / 12.01



ABB

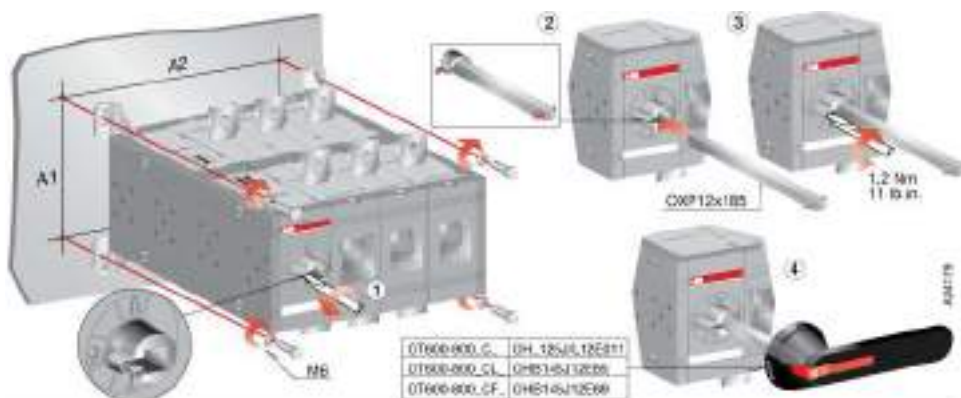
**OT400U12-22C**

	OT400_C			
	U12	U13	U22	U33
A	54 / 2.13	54 / 2.13	54 / 2.13	54 / 2.13
A1	142 / 5.59	142 / 5.59	142 / 5.59	142 / 5.59
A2	232.5 / 9.15	288.5 / 11.28	288.5 / 11.28	340.5 / 13.41
B	251 / 9.88	305 / 12.01	305 / 12.01	412 / 16.24

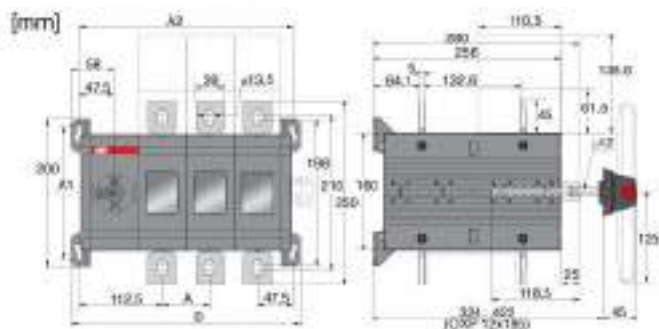


ABB

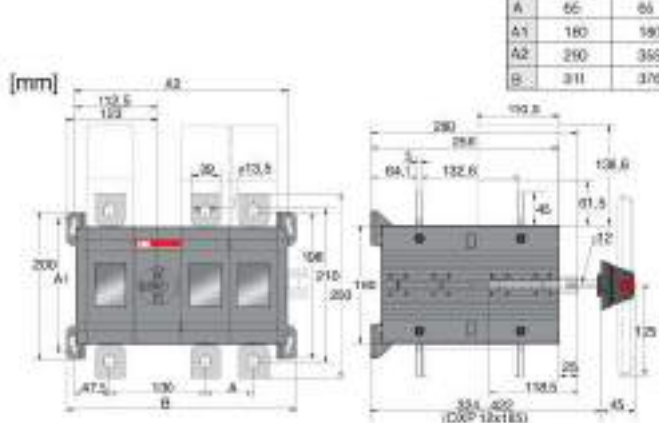




**OT630-800E02-04C\_**



**OT630-800E12-22C\_**

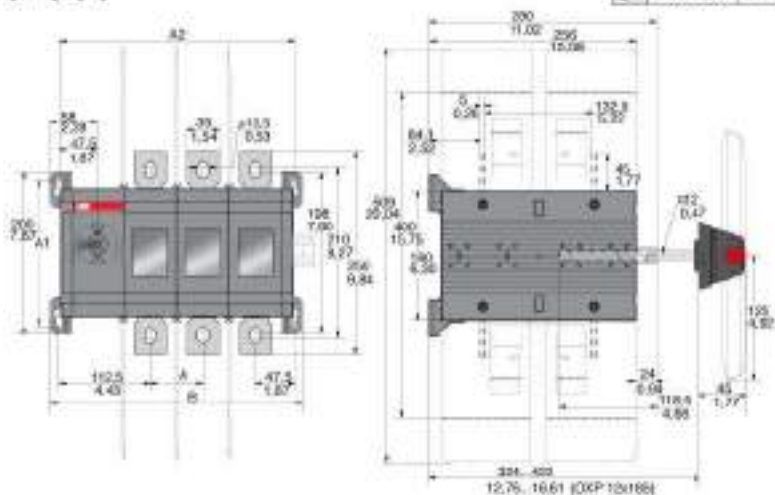




## OT600U02-04C\_

	OT600_C		
	U02	U03	U04
A	65 / 2,56	65 / 2,56	65 / 2,56
A1	180 / 7,09	180 / 7,09	180 / 7,09
A2	225 / 8,86	290 / 11,42	355 / 13,98
B	248 / 9,80	311 / 12,24	376 / 14,80

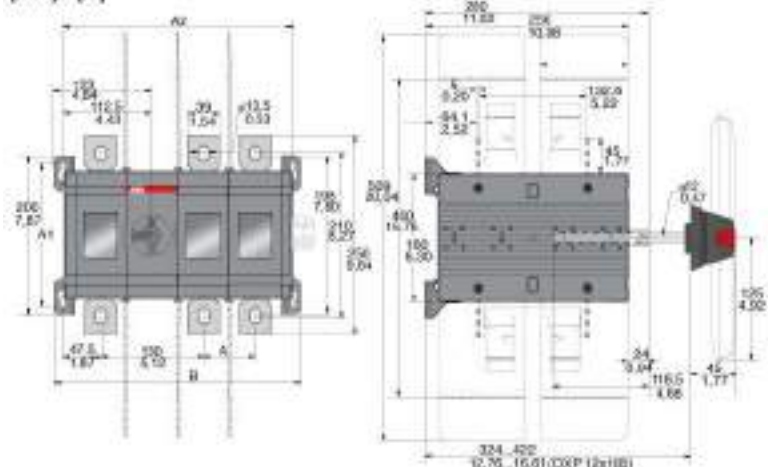
[mm] / [in]

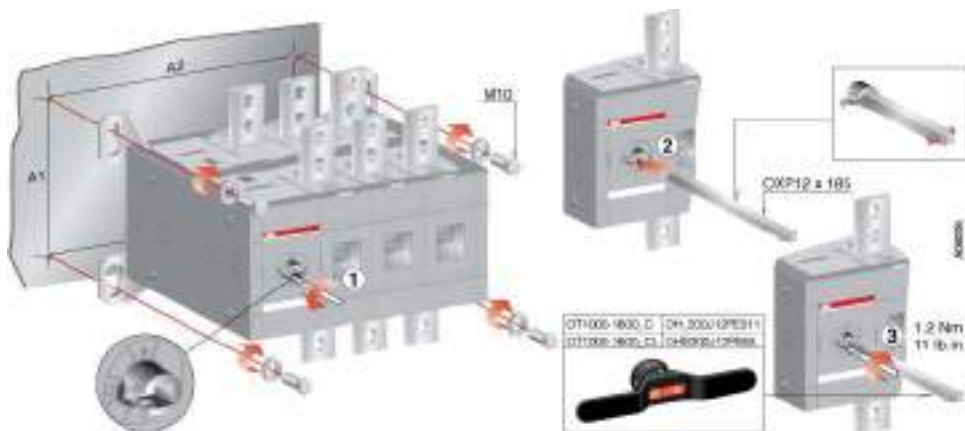


## OT600U12-22C\_

	OT600_C				
	U12	U13	U22	U23	U24
A	65 / 2,56	65 / 2,56	65 / 2,56	65 / 2,56	65 / 2,56
A1	180 / 7,09	180 / 7,09	180 / 7,09	180 / 7,09	180 / 7,09
A2	390 / 15,35	395 / 15,56	355 / 13,98	430 / 16,94	485 / 19,10
B	311 / 12,24	376 / 14,80	376 / 14,80	441 / 17,36	505 / 19,89

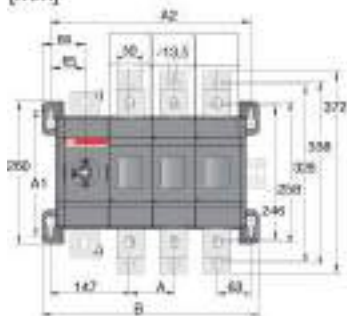
[mm] / [in]



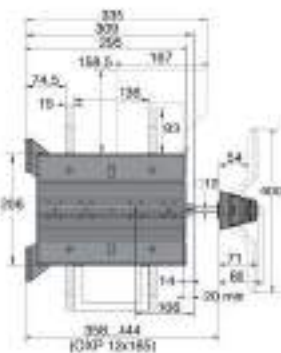


### OT1000-1600E02-04C\_

[mm]

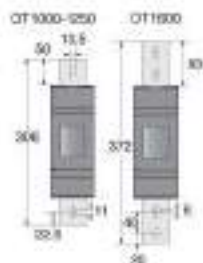


-) NO types



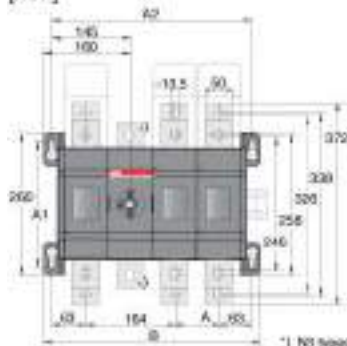
OT1000-1600_C			
	E02	E03	E04
A	90	80	80
A1	230	200	200
A2	290	370	450
B	320	400	480

M01/M02/M03-1600-C-1-0

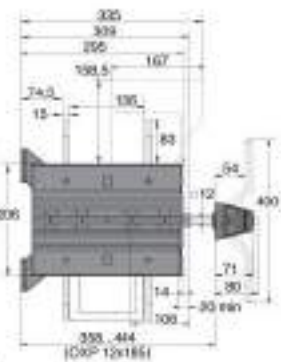


### OT1000-1600E12-22C\_

[mm]



-) NO types



OT1000-1600_C			
	E12	E13	E22
A	80	80	80
A1	230	200	200
A2	370	450	450
B	400	480	480

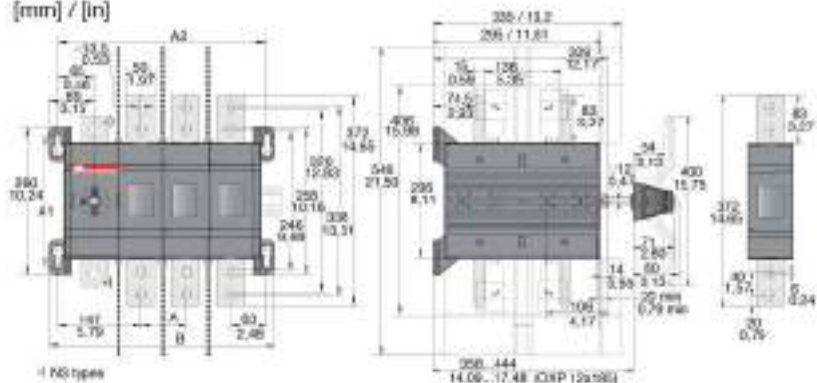
M01/M02/M03-1600-C-1-0



## OT800-1200U02-04C

	OT800-1200_C		
	U02	U03	U04
A	80 / 3.15	80 / 3.15	80 / 3.15
A1	230 / 9.06	230 / 9.06	230 / 9.06
A2	290 / 11.42	370 / 14.56	450 / 17.72
D	320 / 12.60	400 / 15.75	400 / 15.80

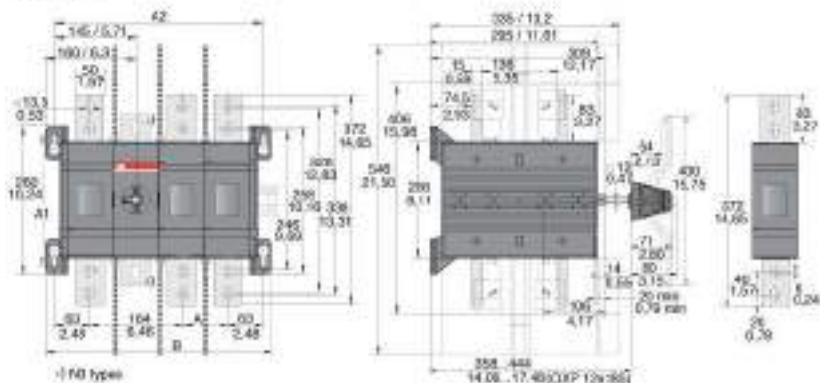
[mm] / [in]

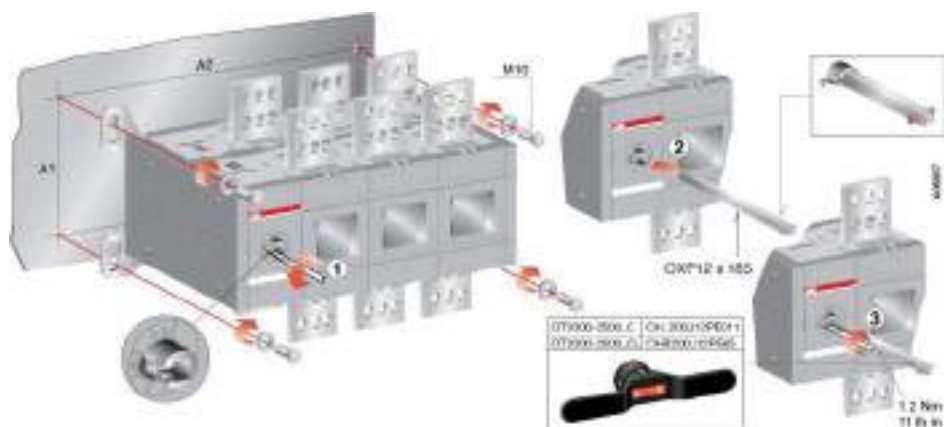


## OT800-1200U12-22C

	OT800-1200_C		
	U12	U13	U22
A	80 / 3.15	80 / 3.15	80 / 3.15
A1	230 / 9.06	230 / 9.06	230 / 9.06
A2	370 / 14.56	490 / 17.72	450 / 17.72
B	400 / 15.75	490 / 18.90	490 / 18.90

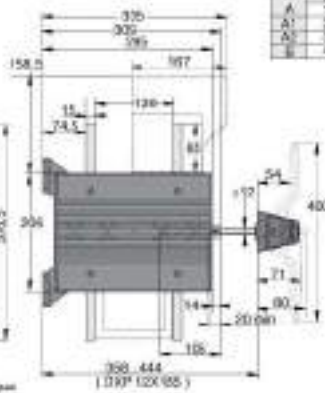
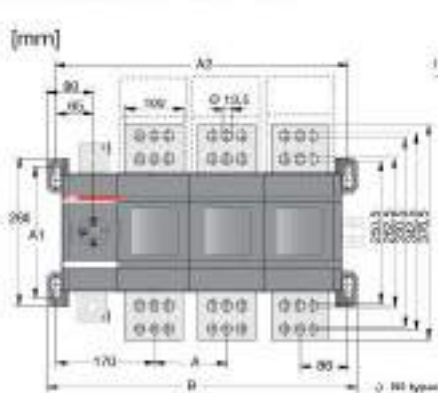
[mm] / [in]





**OT2000-2500E02-04C\_**

[mm]

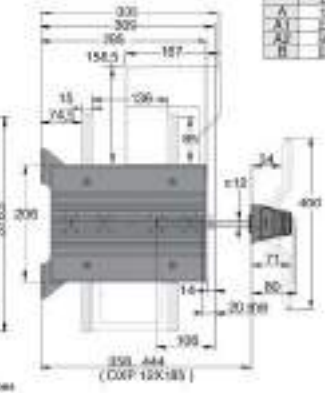
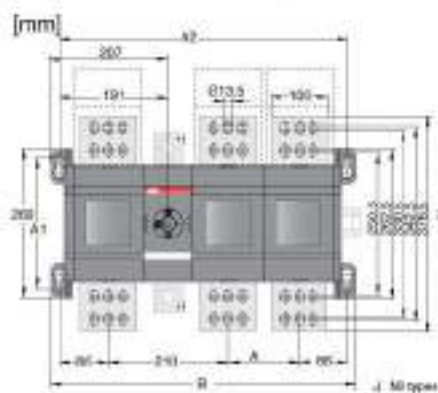


OT2000-2500 C			
A	120	124	128
A1	230	232	230
A2	330	332	334
B	412	338	664

ABB 172000-2500 C\_ C

**OT2000-2500E12-22C\_**

[mm]



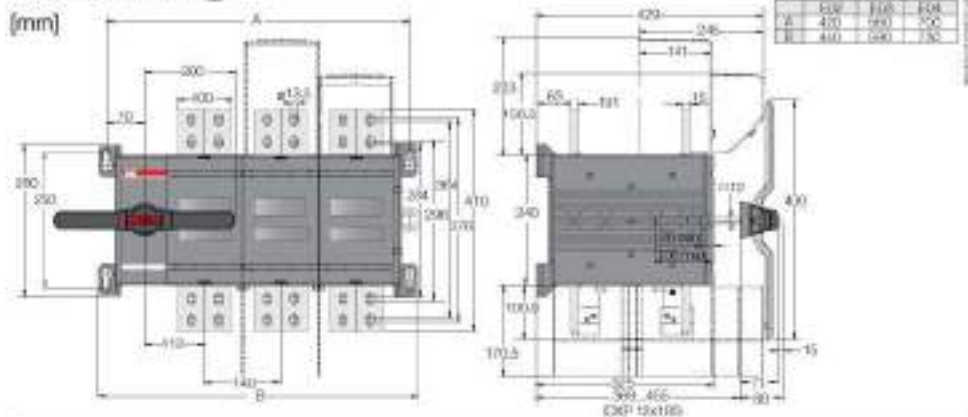
OT2000-2500 C			
A	120	124	128
A1	230	232	230
A2	330	332	334
B	412	338	664

ABB 172000-2500 E12-22 C\_ C



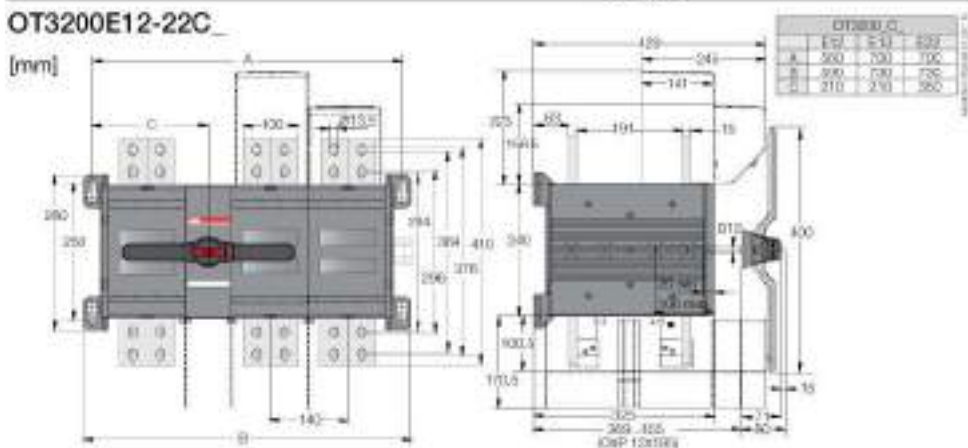
### OT3200E02-04C\_

[mm]



### OT3200E12-22C\_

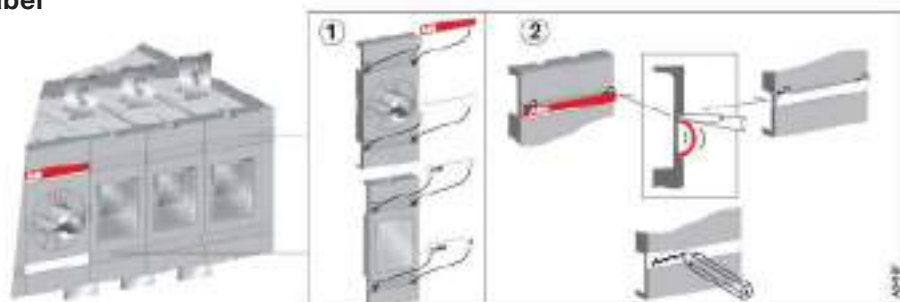
[mm]



## Mounting positions

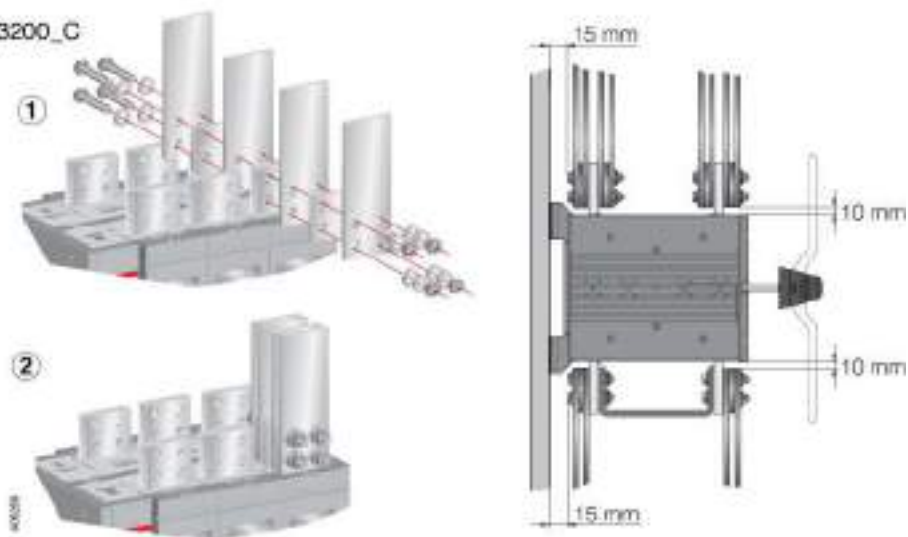


## Label



## Connections

OT3200\_C





## OZX\_



OT2000-2500E_C_	
OT3200E_C_	
OZXB3	
OZXB4	
OZXB5	
OZXB6	
OZXB7L	
OT1000-1600E_C_	OT600-1200U_C_
OZXB3	OZXA-1200_
OZXB4	OZXA-1205_
OZXB5	*max. 1 pos./side
OZXB6*	
OZXB7L	
OT630-800E_C_	OT800U_C_
OZXB3	OZXA-800_
OZXB4	OZXA-805_
OZXB5	*max. 1 pos./side
OZXB6*	
OZXB7L	
OT315-400E_C_	OT400U_C_
OZXB2L	OZXA-400_
OZXB3	OZXA-405_
OZXB7	
OZXB7L	
OZXB8	
OZXB9	
OT160-250E_C_	OT200U_C_
OZXB1L	OZXA-200_
OZXB2	OZXA-205_
OZXB2L	
OZXB8	
OZXB9	

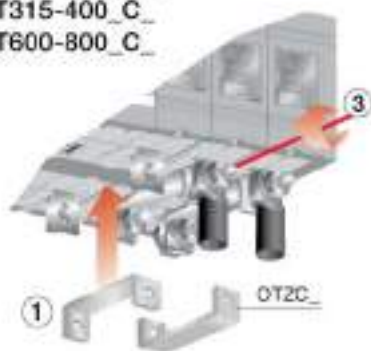


## OTZC\_

OT160-250\_C\_

OT315-400\_C\_

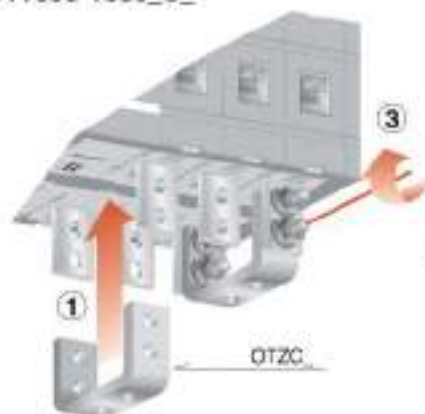
OT600-800\_C\_



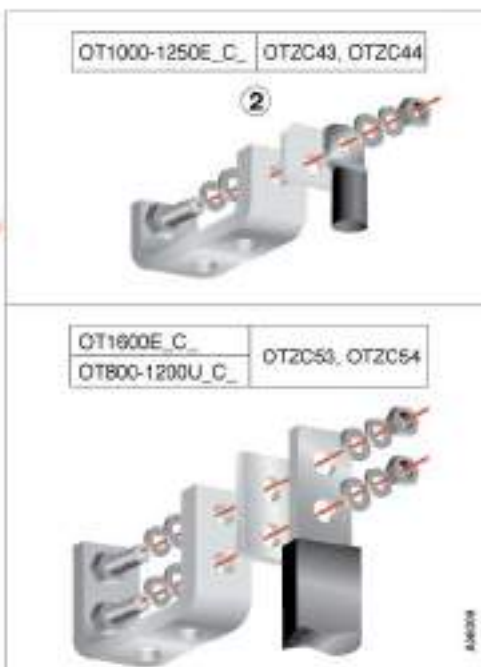
OT160-250_C_	OTZC13, OTZC14
OT315-400_C_	OTZC23, OTZC24
OT600-800_C_	OTZC33, OTZC34



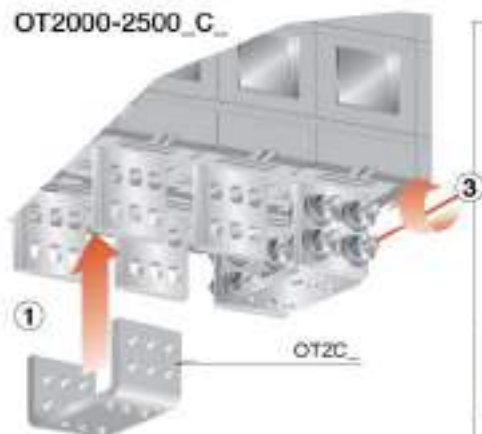
OT1000-1600\_C\_



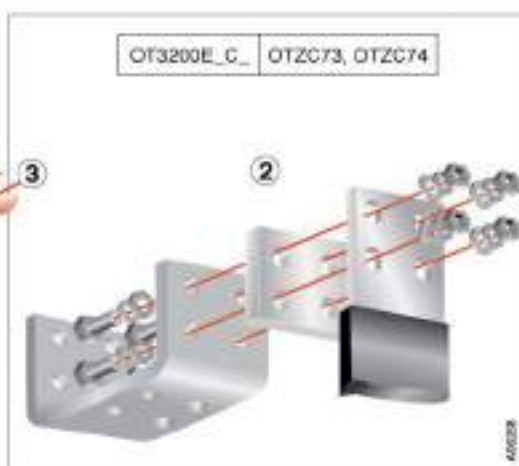
OT1000-1250E_C_	OTZC43, OTZC44
-----------------	----------------



## OT2000-2500\_C\_

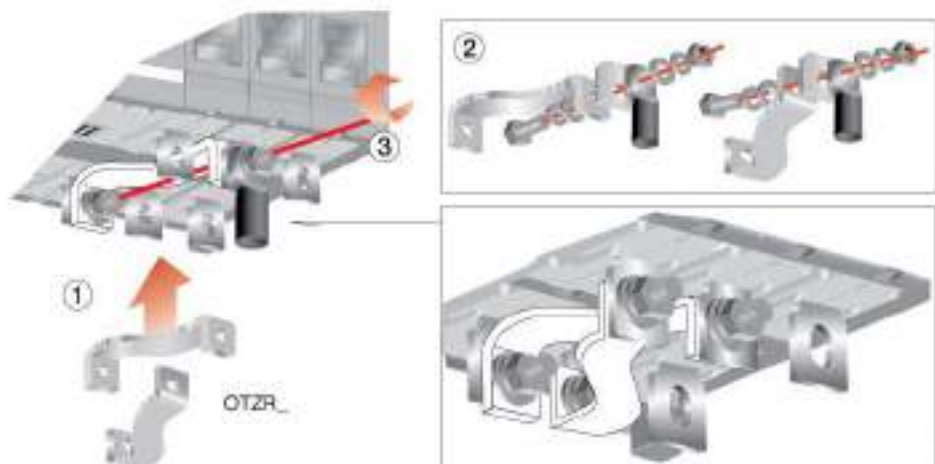


## OT3200\_C\_

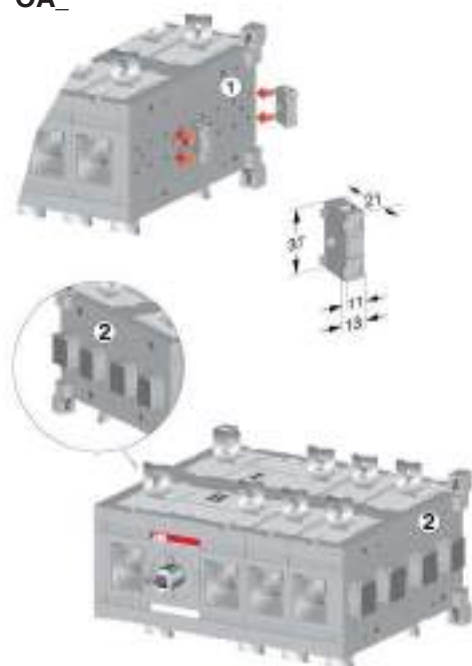


## OTZR\_

OT160-250_C_	OTZR1
OT315-400_C	OTZR2
OT600-800_C	OTZR3



## OA\_



OT\_C  
OT\_CP

I max 2+2

	OA 1G10	OA 3G01
I		
○		
II		



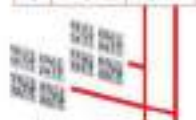
II max 2+2

	OA 1G10	OA 3G01
I		
○		
II		

OT\_GL

I max 2+2

	OA 1G10	OA 3G01
I		
I+I		
II		

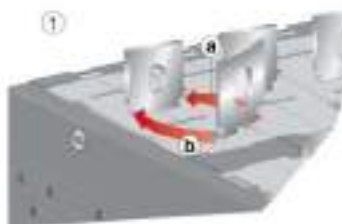


II max 2+2

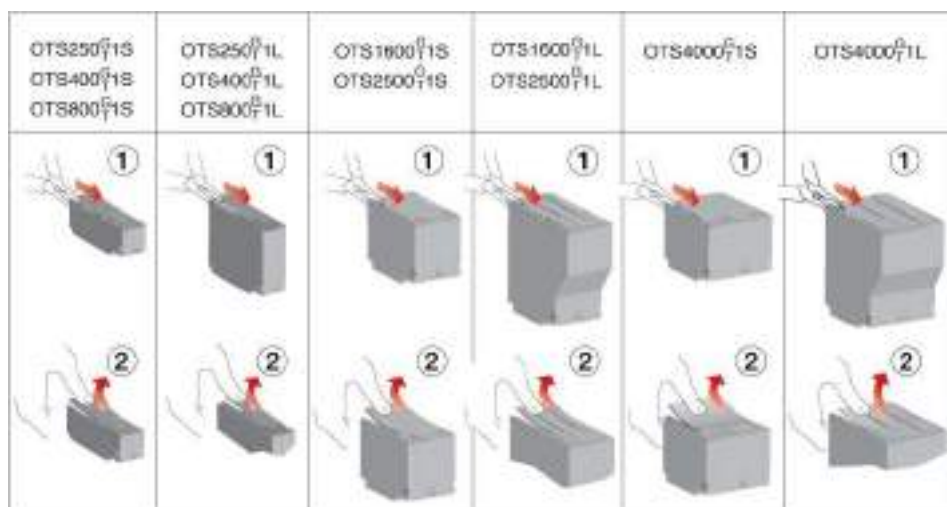
	OA 1G10	OA 3G01
I		
I+I		
II		



## OMZB\_

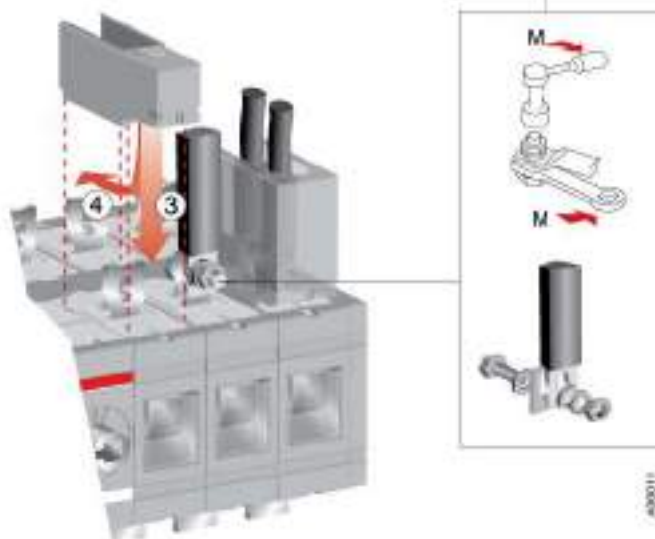


## OTS\_



OT160-250\_C\_  
OT315-400\_C\_  
OT600-800\_C\_

		M	M
OT160-250_C	OTS250	M8	15...22Nm 5/8DIA.IN. 133-195LB.IN.
OT315-400_C	OTS400	M10	30...44Nm 288-390LB.IN.
OT600-800_C	OTS800	M12	50...75Nm 433-664LB.IN.



A90011

## OTS\_

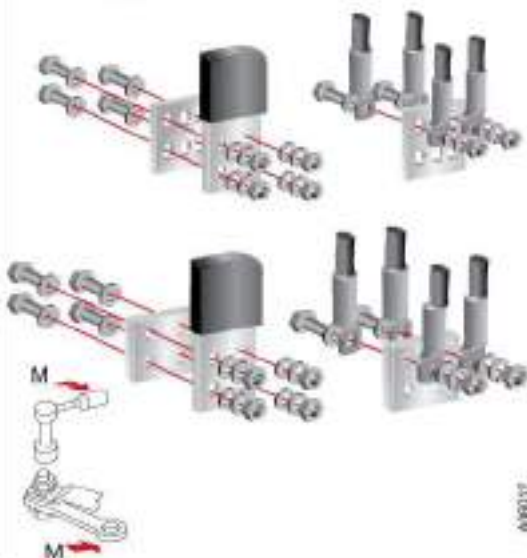
OT1000-1600\_C\_

OT1000-1600E\_C\_  
OT800-1200U\_C\_

M12

50...75Nm

443-664 lb.in.

OT2000-2500\_C\_  
OT3200\_C\_OT2000-2500E\_C\_  
OT3200E\_C\_

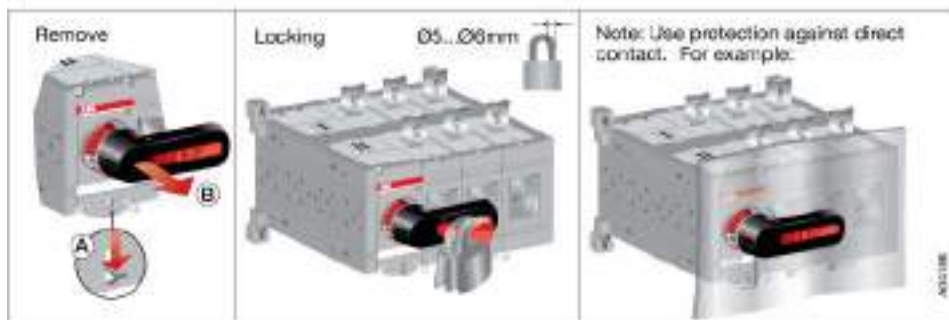
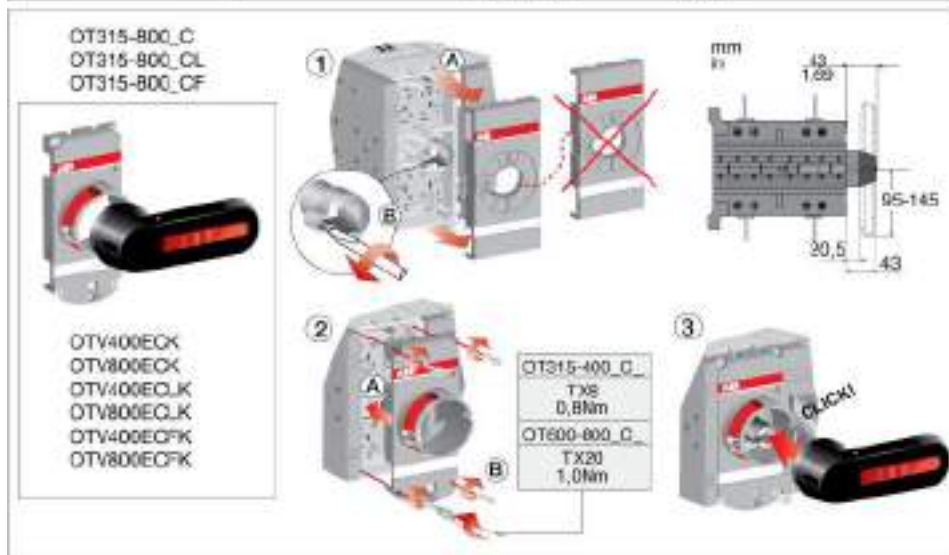
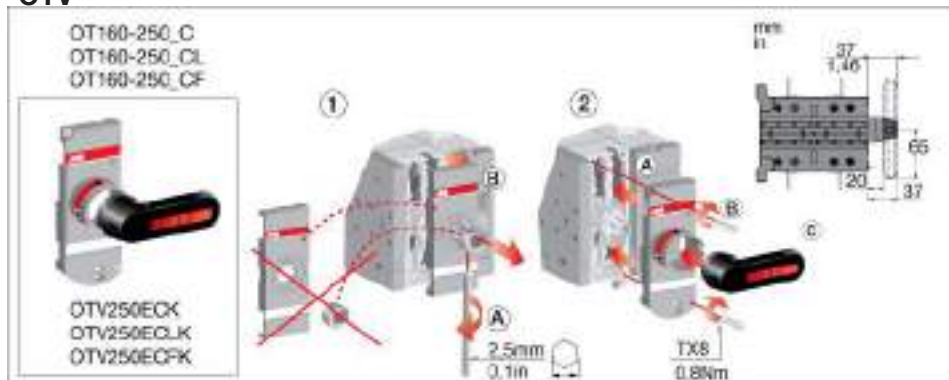
M12

50...75Nm

443-664 lb.in.



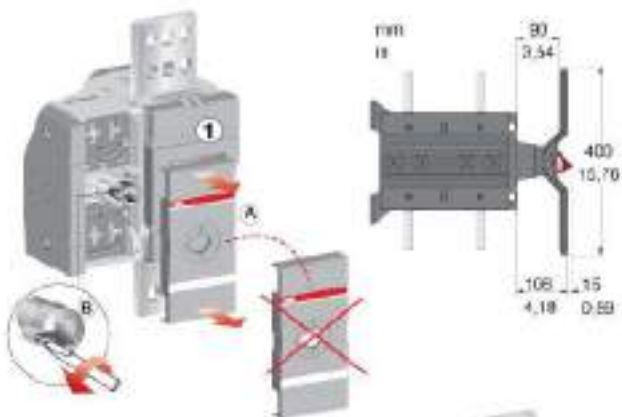
## OTV



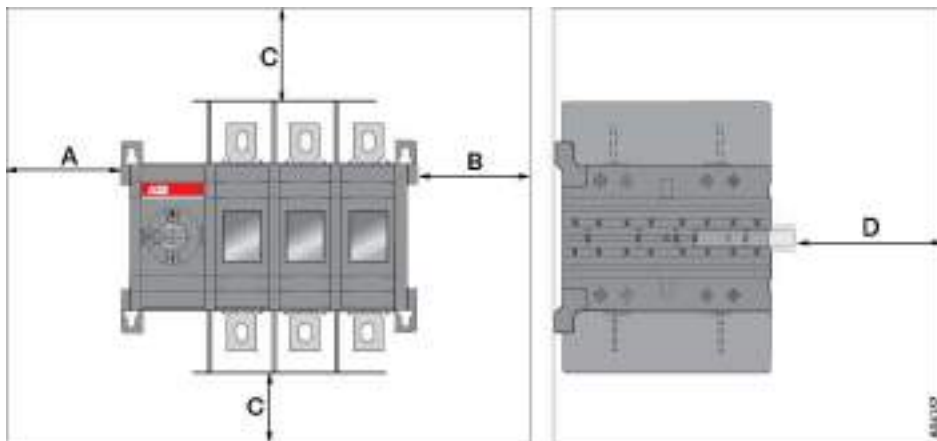


## OTV\_

OT1000-2500\_C  
 OT1000-2500\_CL  
 OT3200\_C  
 OT3200\_CL



## Clearances per UL98



	Current	Height	Width	Depth
OT200U_C	200 A	406 mm/16 in	305 mm/12 in	203 mm/8 in
OT400U_C	400 A	610 mm/24 in	356 mm/14 in	254 mm/10 in
OT600U_C	600 A	610 mm/24 in	700 mm/28 in	400 mm/16 in
OT800-1200U_C	800/940 A	1220 mm/48 in	610 mm/24 in	400 mm/16 in

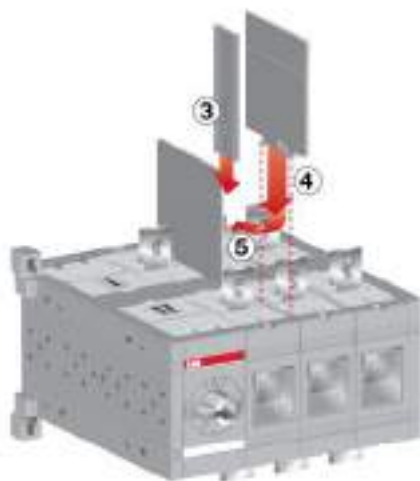
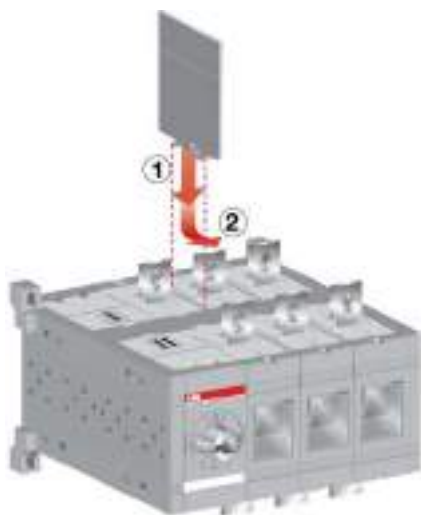
	A	B	D
OT200-1200U_C	0	13 mm/0,5 in	13 mm/0,5 in

OT200U_C			
Cable size		Cable size	
AWG	C	MCM	C
4-3	100 mm/4 in	250	200 mm/8 in
2	100 mm/4 in	300	250 mm/10 in
1	100 mm/4 in		
1/0	125 mm/5 in		
2/0	150 mm/6 in		
3/0-4/0	175 mm/7 in		

OT400U_C			
Cable size		Cable size	
AWG	C	MCM	C
2	100 mm/4 in	250	250 mm/8 in
1	100 mm/4 in	300	250 mm/10 in
1/0	125 mm/5 in	350	300 mm/12 in
2/0	150 mm/6 in		
3/0-4/0	175 mm/7 in		

OT600-1200U_C			
Cable size		Cable size	
AWG	C	MCM	C
2	100 mm/4 in	250	200 mm/8 in
1	100 mm/4 in	300	250 mm/10 in
1/0	125 mm/5 in	350	300 mm/12 in
2/0	150 mm/6 in	400	330 mm/13 in
3/0-4/0	175 mm/7 in	500	356 mm/14 in
		600	381 mm/15 in

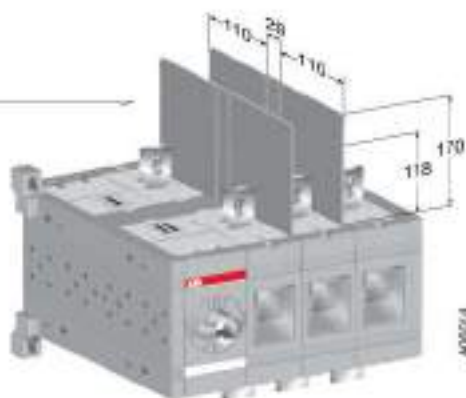
## OTB\_



Phase barrier type 69838 on:  
OT600U\_C  
OT630-600E\_C

Phase barriers 69838 or shrouds must be used to maintain a clearance of 1 inch on the manual change-over and transfer switch type OT600U\_C, if lugs are wider than 39 mm/ 1.54 in.

The Type for the package of 6 barriers is OTB800.6C.

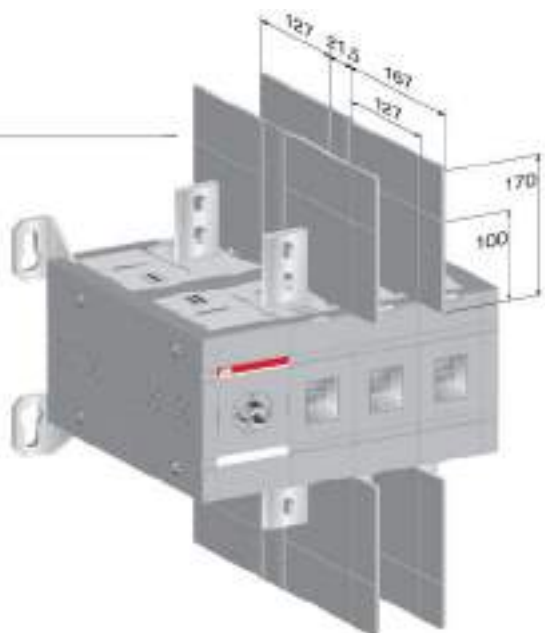


Phase barrier type 66912 on:  
 OT800-1200U\_C\_  
 OT1000-1600E\_C\_  
 OT2000-2500E\_C\_

Phase barriers 66912 must be used on OT1000-2500E\_C\_ if the voltage is  $> 415$  V.

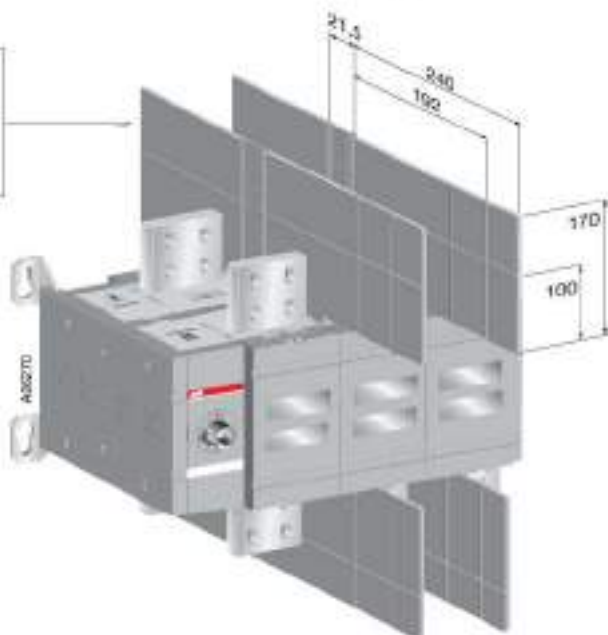
Phase barriers 66912 or shrouds must be used to maintain a clearance of 1 inch on the manual change-over and transfer switches types OT800U\_C\_ and OT1200U\_C\_, if lugs are wider than 54 mm/2.13 in.

Type for package of 6 barriers is OTB16006C.



Phase barriers CXB169470 must be used on OT3200E\_C\_.

Type for package of 6 barriers is OTB40006C.







**ABB Oy**

Breakers and Switches

P.O Box 622

FI-65101 VAASA, Finland

Telephone +358 10 22 11

Telefax +358 10 22 45708

[www.abb.com](http://www.abb.com)

The technical data and dimensions are valid at the time of printing. We reserve the right to subsequent alterations.