



Surface Mounted LED Panel - 6500K

- High quality reinforced plastic body, convenient for outer environment and easy to mount.
- Equipped with antireflective diffuser covers with homogenous dispersion, resistant to blenching and changing colors during its lifetime.

Product Details

Product Code	Type	Power (W)	Lamp Type	Luminous Flux	Dimensions (mm)	Weight (kg)
LPLB11W186	Circular	18	LED	1350lm	225 \varnothing	0,390
LPLB11W246	Circular	24	LED	1850lm	300 \varnothing	0,670
LPLB21W186	Square	18	LED	1350lm	225x225	0,480
LPLB21W246	Square	24	LED	1850lm	300x300	0,820

Technical Information



Areas of Usage



18W Circular Type LED Panel - 6500K

18w



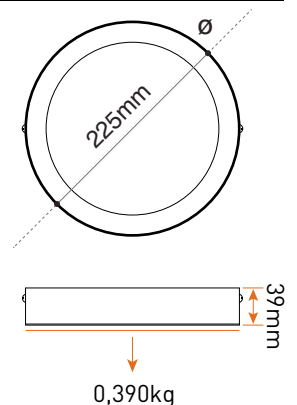
LPLB11W186

Technical Specifications

220V - 240V
6500K
1350lm
Ra > 80

- Long-lasting LED 20,000 hours
- High surge protection: 0.5kV
- Confirmed CE and IEC safety standard
- Optics: Polycarbonate diffuser

Technical Drawing



24W Circular Type LED Panel - 6500K

24w



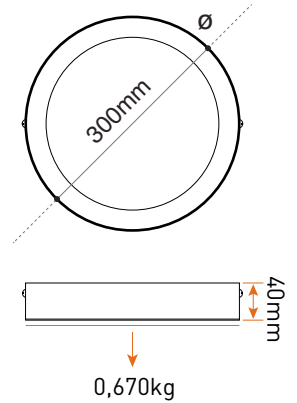
LPLB11W246

Technical Specifications

220V - 240V
6500K
1850lm
Ra > 80

- Long-lasting LED 20,000 hours
- High surge protection: 0.5kV
- Confirmed CE and IEC safety standard
- Optics: Polycarbonate diffuser

Technical Drawing



18W Square Type LED Panel - 6500K

18w



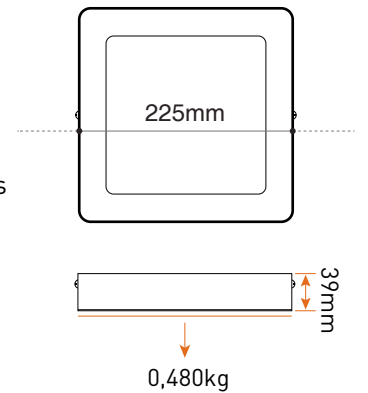
LPLB21W186

Technical Specifications

220V - 240V
6500K
1350lm
Ra > 80

- Long-lasting LED 20,000 hours
- High surge protection: 0.5kV
- Confirmed CE and IEC safety standard
- Optics: Polycarbonate diffuser

Technical Drawing



24W Square Type LED Panel - 6500K

24w



LPLB21W246

Technical Specifications

220V - 240V
6500K
1850lm
Ra > 80

- Long-lasting LED 20,000 hours
- High surge protection: 0.5kV
- Confirmed CE and IEC safety standard
- Optics: Polycarbonate diffuser

Technical Drawing

