

TEWA TEMPERATURE SENSORS

HIGH PRECISION NTC THERMISTORS AND TEMPERATURE SENSORS

Specification of Temperature Probe

PART NUMBER: **TT4-PT100B-T180-OM52-500**

No. of pages: 1

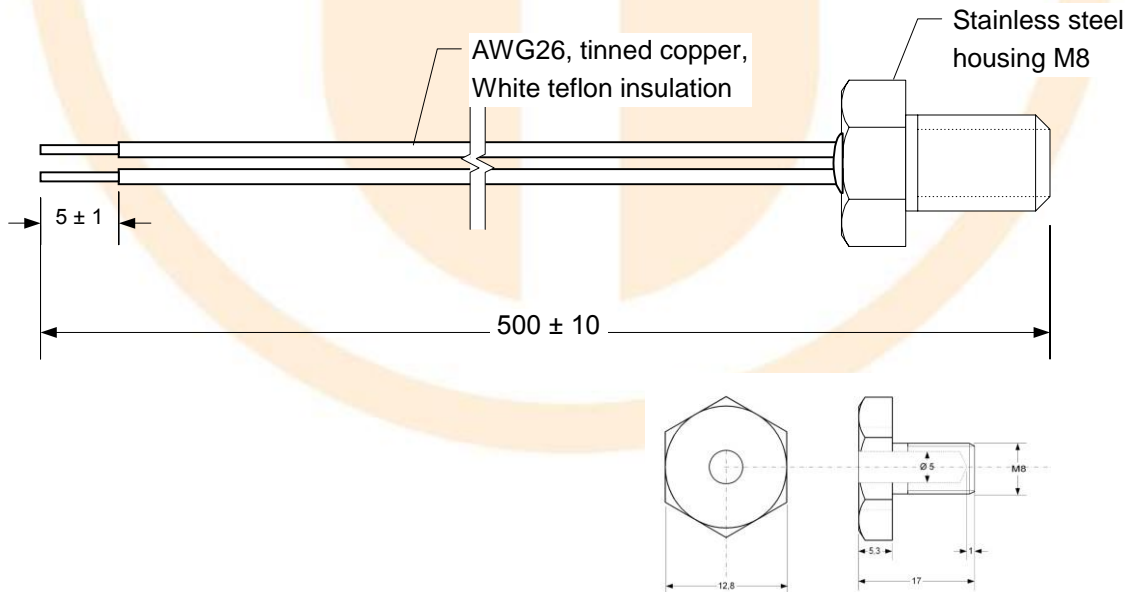
Date: **18.09.2019**

Revision: **00**

FEATURES:

Sensing Element	PT100
Class according to EN 60751	B
Temperature Coefficient	TCR = 3851 ppm/k
Operating temperature range	-40°C ÷ 180°C
Test Voltage	500V DC
RoHS Compatible	YES

DRAWING:



UNITS: [mm]