



TEMPERATURE/HUMIDITY/DEW POINT METER

AX-5001



Users Manual

1. INTRODUCTION

Thank you for purchasing the temperature/humidity/dew point meter from us. Please take a few minutes to browse through this user manual before you begin to operate the meter to ensure that you are fully familiarised with how best to operate the meter as accurately and safely as possible.

The meter is temperature and humidity measuring instrument. It is normally used to measure the humidity and temperature in offices, storerooms, buildings and greenhouses.

1.1. Precautions safety measures

To get the best service from this meter, please read this user's manual carefully and observe the detailed safety precautions strictly.

1.1.1. During use

1. Don't touch the humidity sensor.
2. Don't expose the sensor to direct light, this causes a false reading.
3. Never store the product together with solvents, acids or other aggressive substances.

1.1.2. Maintaining the product

- Do not measure at a high temperature places.
- When not using the instrument for a long time, please remove the battery and avoid storing in high temperature and high humidity.

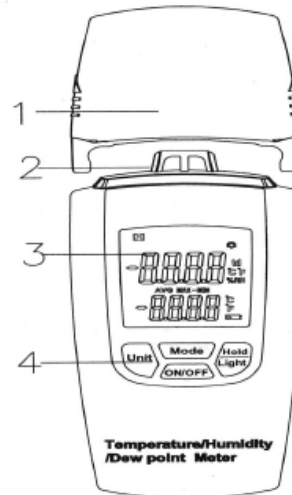
2. FEATURES

- | | |
|---------------------------|---|
| 1. Display: | 4 digits LCD Display |
| 2. Parameters: | °C, °F, 0,1%RH (relative humidity), td(dew point temperature) |
| 3. Resolution: | 0,1°C, 0,1°F, 0,1%RH |
| 4. Range: | -10~+50°C, +14~+122°F, 0~+100%RH |
| 5. Accuracy: | ±1.0°C, ±1.8°F, ±3%RH (5~95%RH) |
| 6. Sample rate: | 1 time/sec |
| 7. auto power off: | about 20 minutes |
| 8. Operating environment: | -10~+50°C, +14~+122°F |
| 9. Storage environment: | -20~+60°C, -4~+140°F |
| 10. Dimension and Weight: | 121(L)x60(W)x30(H)mm, about 180g |
| 11. Accessories: | DC1.5V (AAA) x 3 pcs
String x 1 pcs
Users manual x 1 pcs. |

3. NAMES OF PARTS

3.1. Instrument Familiarization

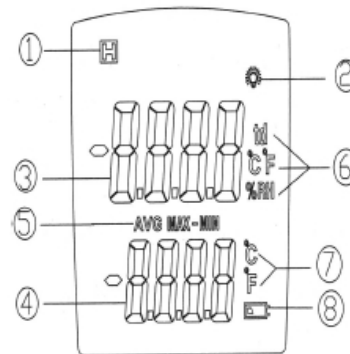
1. Sensor cover
2. Sensor
3. LCD display
4. Function key



3.2. LCD Display

The meaning of symbols represented by the following:

1. Indicating it is now in the data-holding state
2. Indication to back light
3. Display zone
4. Display zone
5. Average/Maximum/minimize
6. Humidity units
7. temperature units
8. Indication to low voltage of the batteries.




4. OPERATION INSTRUCTION

***NOTE:** In order to ensure the accuracy of the measurement readings, all the interference sources which may affect the measurement results about temperature and humidity (such as the hand) must be away from the sensor.

1. Put the instrument with enough battery power in the hand, press the ON/OFF key to turn the power on and enter into the measuring mode. The LCD will display current value of temperature and humidity. The default humidity/ temperature unit is % RH/°C.

2. Press UNIT key to change the humidity/ temperature unit. The adjustable parameters are % RH (relative humidity), td (Dew-point temperature), °C, °F; press the MODE and **HOLD Light** key to change MAX/MIN and HOLD mode.

3. Switching the back light on. When the meter is power on, press **HOLD Light** key >2 sec. the back

light will be turned on, and the  icon will display on the LCD. Press the key once >2 sec. the light will be turned off, and the icon will disappeared. If you still need more operations, please see the description of function keys.

5. FUNCTIONS KEYS

1. ON/OFF key

Press the key to turn the power ON and press the key once more >2 sec. To turn the power OFF.


2. Mode key


Press the key can select the state of MAX, MIN LCD will display the maximum values since the instrument was last switched on or last reset.

3. Unit key

Press the key can change the parameter unit. Adjustable units: %RH/°C, td/°C, %RH/°F, td/°F.

4. key

Press the key a  icon will display on the LCD and the readout held In. Press the key once more to cancel the hold function.

Press the key >2 sec. the back light will be turned on, and the  icon will display on the LCD. Press the key once >2 sec. the light will be turned off, and the icon will disappeared.

5. Auto power off setting

When the meter is powered on, it is under auto power off mode. The meter will power itself off after 20 minutes if no key operation. Cancelled auto power off function: press Hold key when power on until the LCD display AP OFF, then press the Hold key again to confirm the setting.

6. MAINTENANCE

1. Cleaning Instructions


The meter may be wiped down with a wet sponge or cloth using a mild water based detergent or anti-bacterial soap and rinsed under a gentle stream of cold water.

NOTE:

This unit is not designed for complete submersion or washing in water.

2. Battery replacement

Use the following procedure:

When the battery voltage drop below proper operation range the  symbol will appear on the LCD display and the battery needs to be replaced.

- Press the battery cover and towards arrowhead direction to open the battery cover.
- Replace the battery with three new 1.5V batteries (AAA)
- Replace the battery cover.