

Non-Contact Infrared Thermometers

AX-7530



OPERATION MANUAL

TABLE OF CONTENTS

INTRODUCTION	3
FEATURES	3
WIDE RANGE APPLICATION	3
SAFETY	3
DISTANCE & SPOT SIZE	4
SPECIFICATIONS	4
FRONT PANEL DESCRIPTION	5
INDICATOR	6
BUTTONS	7
MEASUREMENT OPERATION	8
BATTERY REPLACEMENT	10
NOTES	10
MAINTENANCE & CLEARING	12



INTRODUCTION

Thank you for purchase of the IR Thermometer. This device offers non-contact (infrared) temperature measurements capability. The built-in laser pointer increases target accuracy while the backlight LCD and handy push-buttons combine for convenient, ergonomic operation. Type K thermocouple functionality is also built-in. Proper use and care of this meter will provide years of reliable service.

FEATURES:

- Precise non-contact temperature measurement
- Type K temperature Measurement
- Unique flat surface, modern housing design
- Built-in laser pointer
- Automatic Data Hold
- Automatic Power Off
- °C/°F switch
- Emissivity Digitally adjustable from 0.10 to 1.0
- MAX,MIN,DIF, AVG record
- LCD with Backlight
- Automatic range selection
- Resolution 0.1°C(0.1°F)
- Trigger lock
- High and Low alarm
- Obtain Emissivity

WIDE RANGE APPLICATION:

Food preparation, Safety and Fire inspectors, Plastic molding, Asphalt, Marine and Screen printing, measure ink and Dryer temperature, HVAC/R, Diesel and Fleet maintenance.



SAFETY

- Use extreme caution when the laser beam is turned on.
- Do not let the beam enter your eye, another person's eye or the eye of an animal.
- Be careful no to let the beam on a reflective surface strike your eye.
- Do not allow the laser light beam impinge on any gas which can explode.



Distance & Spot Size

As the distance (D) from the object increases, the spot size (S) of the area measured by the unit becomes larger. The relationship between distance and spot size for each unit is listed below. The focal point for each unit is 914mm (36"). The spot sizes indicate 90% encircled energy.

Fig: 1



SPECIFICATIONS

TK measurement:

TK Temperature range: -50 to 1370°C (-58 to 2498°F)

Resolution: -50 to 1370°C:0.1°C

-58 to 1999°F:0.1°F

2000 to 2498°F:1°F

Accuracy: -50 to 1000°C:± 1.5% of reading ± 3°C(±9°F)

1000 to 1370°C:± 1.5% of reading ± (±3.6°F)

IR Measurement:

IR Temperature range: -32 to 480°C (-25.6 to 896°F)

D: S: 13:1

Resolution: 0.1°C (0.1°F)

Accuracy: -32 to -20°C(-25.6 to -4°F):±5°C (±9°F)

-20 to 200°C(-4 to 392°F):± 1.5% of reading ± 2°C(±3.6°F);



200 to 480°C (392 to 896°F): $\pm 2.0\%$ of reading $\pm 2^{\circ}\text{C}(\pm 3.6^{\circ}\text{F})$;

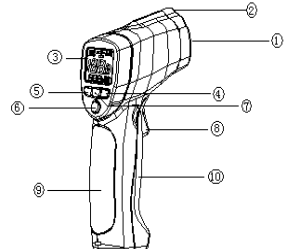
Response time:	less than 1 second
Spectral response:	8-14 μm
Emissivity:	Digitally adjustable from 0.10 to 1.0
Over range indication:	LCD will show “-0L”, “0L”
Polarity:	Automatic (no indication for positive polarity); Minus (-) sign for negative polarity
Diode laser:	output <1mW, Wavelength 630-670nm, Class 2(II) laser product
Operating temp.:	0 to 50°C(32 to 122°F)
Storage temp.:	-20 to 60°C (-4 to 140°F)
Relative humidity:	10%-90%RH operating, <80%RH storage
Power supply:	9V battery, NEDA 1604A or IEC 6LR61, or equivalent
Weight:	290g (10.2 oz.)
Size:	100 x 56 x 230mm (3.9 x 2.2 x 9.0”)
Safety:	“ CE ” Comply with EMC

Note:

- **Accuracy:** Given at 18 °C to 28 °C (64° Fto 82° F), less than 80 % RH.
- **Field of View:** Make sure that the target is larger than the unit's spot size. The smaller the target, the closer you should be to it. When accuracy is critical, make sure the target is at least twice as large as the spot size.

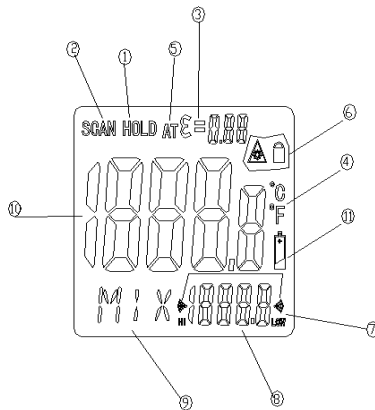
FRONT PANEL DESCRIPTION

1. IR sensor
2. Laser pointer beam
3. LCD Display



4. down button
5. up button
6. mode button
7. laser/backlight button
8. Measurement Trigger
9. Handle Grip
10. Battery Cover

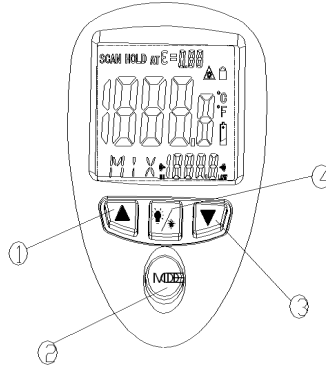
INDICATOR



1. Data hold
2. Measuring indication
3. Emissivity symbol and value
4. °C/°F symbol
5. Auto obtain Emissivity
6. lock and laser "on" symbols
7. High alarm and low alarm symbol
8. Temperature values for the MAX, MIN, DIF, AVG, HAL, LAL. And TK
9. Symbols for EMS MAX, MIN, DIF, AVG, HAL, LAL and TK
10. Current temperature value
11. Low battery



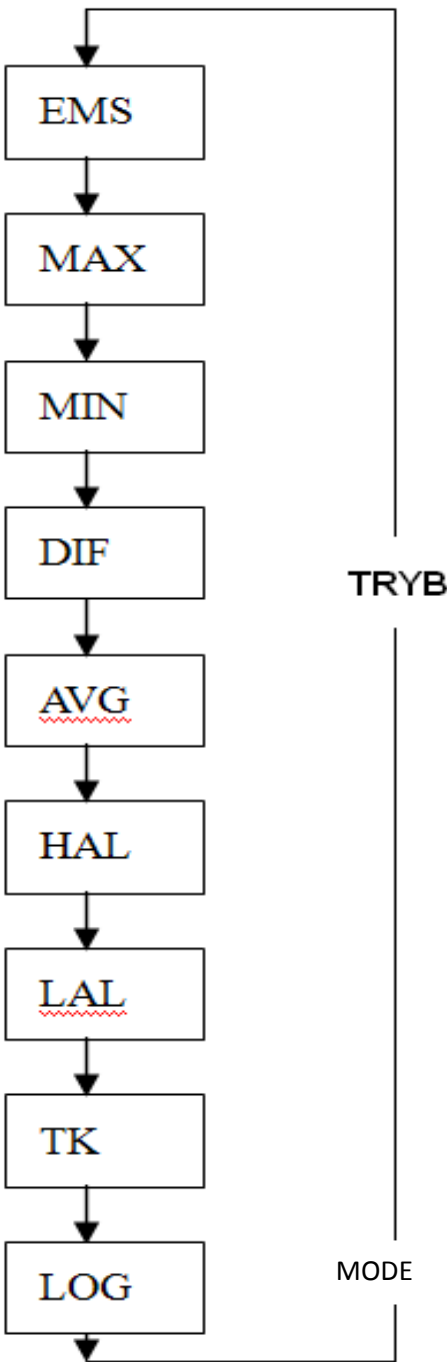
BUTTONS



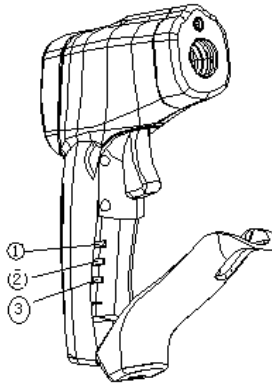
1. Up button(for EMS,HAL,LAL)
2. MODE button (for cycling through the mode loop)
3. Down button (for EMS,HAL,LAL)
4. Laser/Backlight on/off button (pull trigger and press button to activate laser/backlight)

MODE Button Function

The infrared thermometer measures Maximum (MAX), Minimum (MIN), Differential (DIF), and Average (AVG) Temp. Each time you take a reading. This data is stored and can be recalled with the MODE button until a new measurement is taken. When the trigger is pulled again, the unit will begin measuring in the last mode selected. Pressing the MODE button also allows you to access the High Alarm(HAL), Low Alarm (LAL). Emissivity (EMS). Each time you press MODE, you advance through the mode cycle. Pressing the MODE button also allows you to access the Type K Temp. Measurement. The diagram shows the sequence of functions in the MODE cycle.



Switching C/F , LOCK ON/OFF and SET ALARM.



1. C/F
2. LOCK ON/OFF
3. SET ALARM

Select the temperature units ($^{\circ}\text{C}$ or $^{\circ}\text{F}$) by using the $^{\circ}\text{C}/^{\circ}\text{F}$ switch

To lock the unit on for continuous measurement, slide the middle switch LOCK ON/OFF right. If the trigger is pulled while the unit is locked on, the laser and backlight will be turned on if they have been activated. When the unit is locked on, the backlight and laser will remain on unless it is turned off using the Laser/Backlight button on the keypad.

To activate the alarms, please slide the bottom switch SET ALARM right.

To set values for the High Alarm (HAL), Low Alarm (LAL) and Emissivity (EMS), firstly active the display by pulling the trigger or pressing the MODE button, then press the MODE button until the appropriate code appears in the lower left corner of the display, press the UP and down buttons to adjust the desired values.

MEASUREMENT OPERATION

- ① Hold the meter by its **Handle Grip** and point it toward the surface to be measured.
- ② Pull and hold the **Trigger** to turn the meter on and begin testing. The display will light if the battery is good. Replace the battery if the display does not light.
- ③ While measuring, the SCAN display icon will appear in the upper left corner of the LCD.
- ④ Release the Trigger and the HOLD icon will appear on the LCD indicating that the reading is being held.
- ⑤ The meter will automatically power off after approximately 7 seconds after the trigger is released. (Unless the unit is locked on)



How to obtain Emissivity?

In the EMS mode, press and hold the Laser/Backlight button until the “EMS” icon on the left side of LCD blinking. At this time, “ $\epsilon= --$ ” will appear at the upper side of the LCD; IR temperature value will be in the middle of LCD; and Type K temperature value is at the lower side of the LCD.

Contact the Type K probe to the object surface and test the temperature of same point with IR measurement. After both values are stable, press UP or DOWN button for confirmation. Then, emissivity of the object will be shown at the upper side of the LCD.

Press MODE button or trigger to enter normal measurement.

Note:

1. When the IR value is not corresponding to the TK value, or IR and TK tested the different points, no emissivity will be obtainable or a wrong emissivity will be obtained.
2. The temperature of the target should be higher than the environment temperature. Normally, 100°C is suitable for obtaining a higher accuracy emissivity. After obtaining the emissivity, if the difference between IR value (in the middle of LCD) and TK value (at the lower side of LCD) is too big, the obtained emissivity will be incorrect. It's necessary to obtain a new emissivity.

Data Logger

1. Storing Data

Your thermometer is capable of storing up to 20 data locations. The infrared temperature and temperature scale (°C or °F) are also stored.

2. Infrared

To store data from an infrared reading, pull the trigger. While holding the trigger, press the MODE button until LOG appears in the lower left corner of the display; a log location number will be shown. If no temperature has been recorded in the shown LOG location, 4 dashes will appear in the lower right corner. Aim the unit at the target area you want to record, and press the laser/backlight button. The recorded temperature will appear in the lower right corner. To select another log location, press the up and down keys.

3. Recalling Data

To recall stored data after the unit shuts off, press the MODE button until LOG appears in the lower left corner. A LOG location number will be shown below LOG, and the stored temperature for that location will be display. To move to another LOG location, press the UP and Down keys.

4. Log Clear Function

The “Log clear” function allows you to quickly clear all logged data points. This function can only be used when the unit is in LOG mode. It can be used when the user has any number of LOG locations stored.



You should only use the LOG clear function if you want to clear all the Log location data that is stored in unit's memory. The "LOG clear" function works as follows:

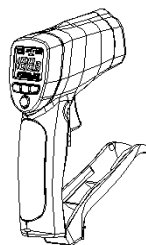
(1) While in LOG mode, press the trigger, and then press the "down" arrow button until you reach LOG location "0".

Note: This can only be done when the trigger is pulled. LOG location "0" cannot be accessed, by using the "up" arrow button.

(2) When LOG location "0" shows in the display, press the laser/backlight button. A tones will sound, and the LOG location will automatically change to "1", signifying that all data locations have been cleared.

Note: Measurement considerations

Holding the meter by its handle, point the IR Sensor toward the object whose temperature is to be measured. The meter automatically compensates for temperature deviations from ambient temperature. Keep in mind that it will take up to 30 minutes to adjust to wide ambient temperatures are to be measured followed by high temperature measurements, some time (several minutes) is required after the low (and before the high) temperature measurements are made.



This is a result of the cooling process, which must take place for the IR sensor.

BATTERY REPLACEMENT

1. As battery power is not sufficient, LCD will display " " replacement with one new 9V battery is required.

3. Open battery cover, then take out the battery from instrument and replace with a new 9-Volt battery and place the battery cover back.

NOTES:

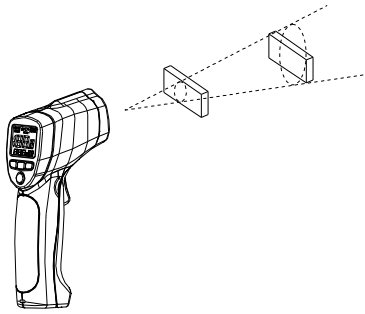
• How it Works

Infrared thermometers measure the surface temperature of an object. The unit's optics sense emitted, reflected, and transmitted energy, which is collected and focused onto a detector. The unit's electronics translate the information into a temperature reading, which is displayed on the unit. In units with a laser, the laser is used for aiming purposes only.

• Field of View

Make sure that the target is larger than the unit's spot size. The smaller the target, the closer you should be to it. When accuracy is critical, make sure the target is at least twice as large as the spot size.





• **Distance & Spot Size**

As the distance (D) from the object increases, the spot size (S) of the area measured by the unit becomes larger. See: **Fig: 1.**

• **Locating a hot Spot**

To find a hot spot aim the thermometer outside the area of interest, then scan across with an up and down motion until you locate hot spot.

• **Reminders**

- ① Not recommended for use in measuring shiny or polished metal surfaces (stainless steel, aluminum, etc.).See **Emissivity**
- ② The unit cannot measure through transparent surfaces such as glass. It will measure the surface temperature of the glass instead.
- ③ Steam, dust, smoke, etc., Can prevent accurate measurement by obstructing the unit's optics.

• **Emissivity**

Emissivity is a term used to describe the energy-emitting characteristics of materials. Most (90% of typical applications) organic materials and painted or oxidized surfaces have an emissivity of 0.95 (pre-set in the unit). Inaccurate readings will result from measuring shiny or polished metal surfaces. To compensate, cove the surface to be measured with masking tape or flat black paint. Allow time for the tape to reach the same temperature as the material underneath it. Measure the temperature of the tape or painted surface.

Emissivity Values

Substance	Thermal emissivity	Substance	Thermal emissivity
Asphalt	0.90 to 0.98	Cloth (black)	0.98



Concrete	0.94	Human skin	0.98
Cement	0.96	Lather	0.75 to 0.80
Sand	0.90	Charcoal (powder)	0.96
Earth	0.92 to 0.96	Lacquer	0.80 to 0.95
Water	0.92 to 0.96	Lacquer (matt)	0.97
Ice	0.96 to 0.98	Rubber (black)	0.94
Snow	0.83	Plastic	0.85 to 0.95
Glass	0.90 to 0.95	Timber	0.90
Ceramic	0.90 to 0.94	Paper	0.70 to 0.94
Marble	0.94	Chromium oxides	0.81
Plaster	0.80 to 0.90	Copper oxides	0.78
Mortar	0.89 to 0.91	Iron oxides	0.78 to 0.82
Brick	0.93 to 0.96	Textiles	0.90

MAINTENANCE & CLEARING:

- Repairs or serving aren't covered in this manual should only be performed by qualified personnel.
- Periodically wipe the case with a dry cloth. Don't use abrasives or solvents on this instrument.
- When serving, use only specified replacement parts.

