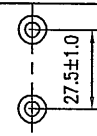
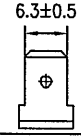
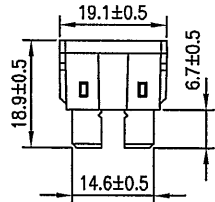
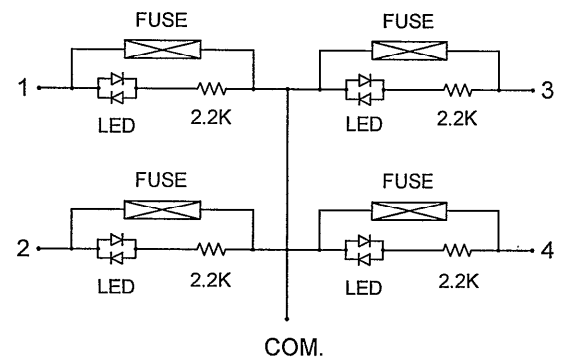
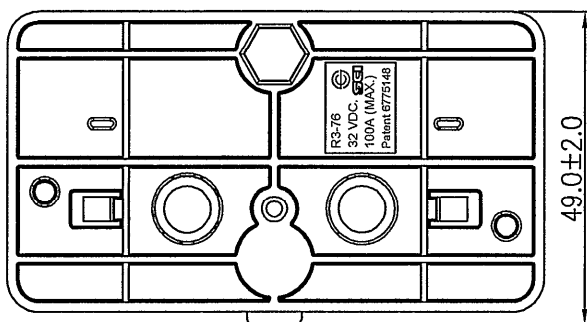
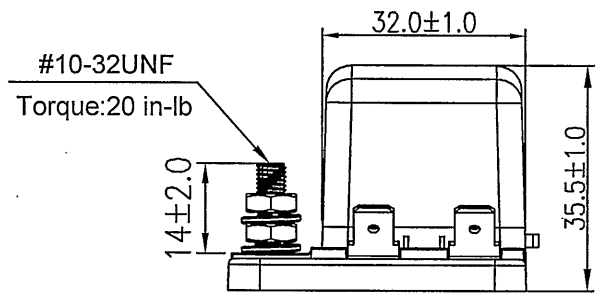
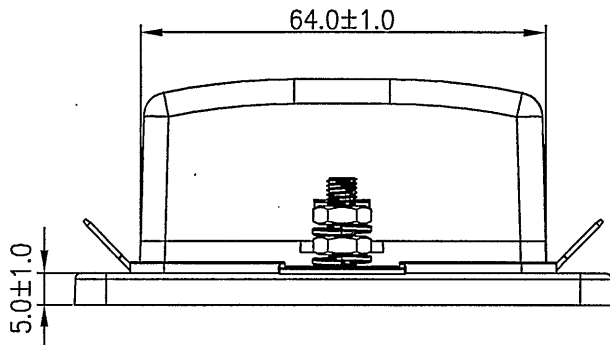
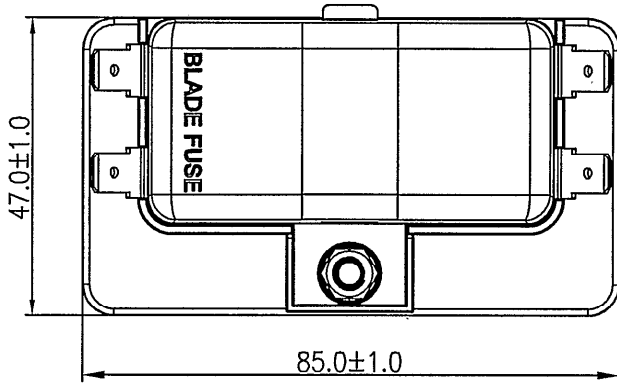


Voltage (Max.)	32 VDC.	Mounting Holes		Blade Fuse Dim.
Input Terminal Rating	#10-32 threaded studs (100A max.)	Terminal Dim.		
Output Terminal Rating	30A max. per circuit.			
Connection Pad Option Available	Input wire size : #4-6 AWG. Output wire size : #12-16 AWG.			
Fuse Specifications	For Blade Fuses Used Only	Circuit Diagram		
Torque Rating	20 in-lb (2.25Nm) max.			
Mounting Torque Rating	8 in-lb (0.9Nm) max.			
Temperature Rating	-20 °C to 85 °C			



R3-76

Material :

- Cover : PC. (Transparent)
- Housing , Base : PBT. (Black)
- Push Button : POM. (White)
- Terminal : Tin. plating Copper

Notes :

Rating 100A max. tested by 4 pcs. 25A load.

*新結構

					△
					△
Date	Name	Description			No.
Drawn	Checked	Approved	SCI BOM No.	1310662	Model Name
柳新強	柳新強	<i>Sinan</i>	Customer No.		BLADE FUSE BOX (4P)
03/17/17	5/2-17	5/2-17	Unit	mm	Model No.
					R3-76-01-3L104
Shin Chin Industrial Co., Ltd.					Rev.
					0