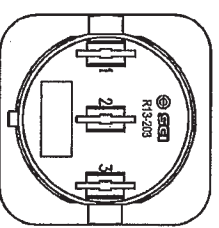
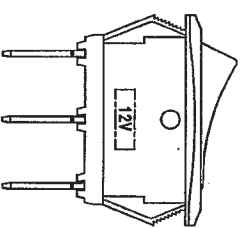
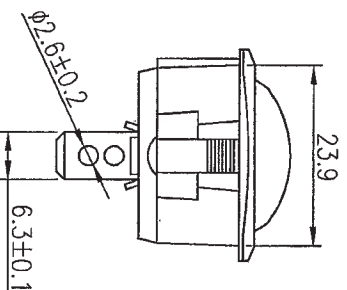
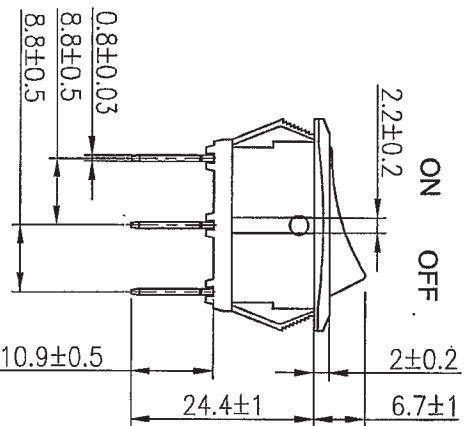
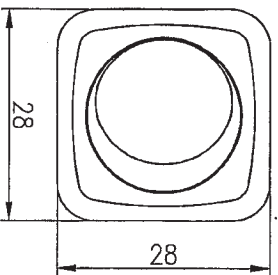


Rating	25A 12V DC	Mounting Hole	Circuit Diagram
Contact Resistance	50m ohm Max.		
Insulation Resistance	DC 500V 100M ohm Min.		
Dielectric Strength	AC 1500V 1 minute		
Operation Temperature	-20° C ~ 65° C		
Switch Function	3P SPST ON-OFF (Bulb dependnet)		



Tolerances ±0.3mm Unless Otherwise Specified

Date	Name	Description				No.
Drawn	Checked	Approved	SCI BOM No.	1821008	Model Name	ROCKER SWITCH
周杰輝	<i>[Signature]</i>	<i>[Signature]</i>	Customer No.		Model No.	R13-203B-01
7/4/16	<i>[Signature]</i>	<i>[Signature]</i>	Unit	mm	Shin Chin Industrial Co., Ltd.	
					Rev.	0