

# S60AD series

Signal/ Warning Lights with High Volume Built-in Buzzer



S60AD series



## Common Specifications(S60ADL/ S60ADS/ S60ADB)

- Ø60mm warning light with high volume built-in buzzer in a vertical configuration
- Cone-shaped horn helps diffuse sound to generate clear and distinctive sound signals
- Suitable for applications that require downward audible signals in elevated locations
- Buzzer sound volume (Max 100dB at 1m)
- Materials : Lens-AS, Body-ABS, Reflector-Heat resistant ABS
- Ambient operating temperature : -30°C to +50°C
- Protection Rating : IP54
- Certificates : CE Compliant



## S60ADL LED Steady/Flashing Signal Light

- LED reflector with multi-tiered design provides an even and clear illumination throughout the entire lens
- Selectable between steady and flashing mode
- Flashing rate : 60-80 flashes/min

Model number	Voltage	Current	Certificates	Weight	Color
S60ADL	DC12V	0.166A	CE	0.17kg	<ul style="list-style-type: none"> <li>• R-Red</li> <li>• A-Amber</li> <li>• G-Green</li> <li>• B-Blue</li> </ul>
	DC24V	0.125A		0.17kg	
	AC110V	0.043A	-	0.32kg	
	AC220V	0.022A	-	0.32kg	



## S60ADS Xenon Lamp Strobe Signal Light

- Flashing rate : 60-80 flashes/min

Model number	Voltage	Current	Certificates	Weight	Color
S60ADS	DC12V	0.550A	CE	0.29kg	<ul style="list-style-type: none"> <li>• R-Red</li> <li>• A-Amber</li> <li>• G-Green</li> <li>• B-Blue</li> </ul>
	DC24V	0.266A		0.29kg	
	AC110V	0.088A	-	0.27kg	
	AC220V	0.044A	-	0.27kg	



## S60ADB Bulb Steady/Flashing Signal Light

- Employs a special filament to prevent damage caused by possible voltage variations
- Selectable between steady and flashing mode
- Flashing rate : 60-80 flashes/min

Model number	Voltage	Current	Bulb			Certificates	Weight	Color
			Spec	Standard	Parts no			
S60ADB	DC12V	1.008A	12V10W	T16x35 15S	9	CE	0.19kg	<ul style="list-style-type: none"> <li>• R-Red</li> <li>• A-Amber</li> <li>• G-Green</li> <li>• B-Blue</li> </ul>
	DC24V	0.556A	24V10W	T16x35 15S	10		0.19kg	
	AC110V	0.127A	110V10W	T16x35 15S	12	-	0.18kg	
	AC220V	0.064A	220V10W	T16x35 15S	13	-	0.18kg	

# S60AD series

## Signal/ Warning Lights with High Volume Built-in Buzzer

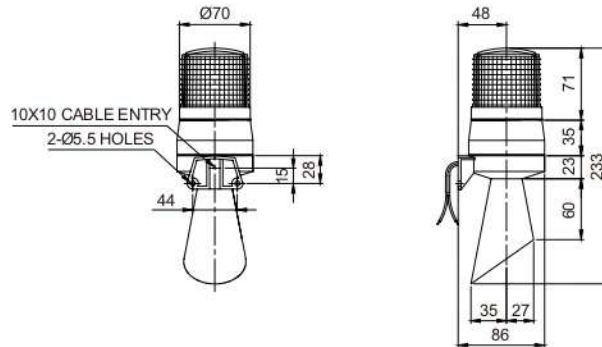


### Technical Diagram

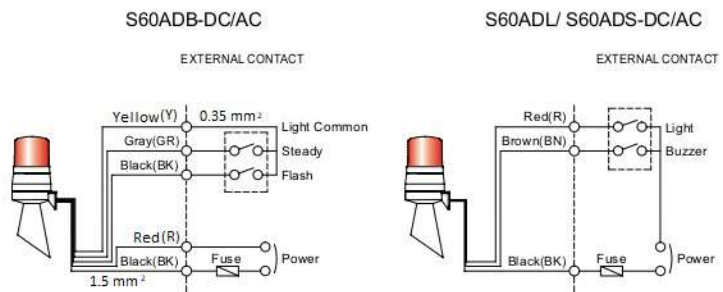
(Units : mm)



S60ADL/ S60ADS/ S60ADB



### Wiring Instructions



- S60ADB : Power line standard UL1015 AWG18(0.75sq)×2C 400mm  
Signal line standard UL1007 AWG22(0.3sq) 400mm
- S60ADL/ S60ADS : Signal line UL1007 AWG22(0.3sq) 400mm
- Product can be wired regardless of polarity



### Customization

- 2 buzzer sound types : Both prolonged(beeep, beeep) and staccato(beeep, beeep, beeep) buzzer output available
- Strong buzzer type 105dB(model number : S60AD-HBZ)



### Ordering Specification

<b>S60ADL</b> [Model number]	-	<b>220</b> [Voltage]	-	<b>R</b> [Color]
<ul style="list-style-type: none"> <li>• S60ADL</li> <li>• S60ADS</li> <li>• S60ADB</li> </ul>		<ul style="list-style-type: none"> <li>• 12-DC12V</li> <li>• 24-DC24V</li> <li>• 110-AC110V</li> <li>• 220-AC220V</li> </ul>		<ul style="list-style-type: none"> <li>• R-Red</li> <li>• A-Amber</li> <li>• G-Green</li> <li>• B-Blue</li> </ul>



S60AD emits powerful buzzer sound through the cone type sound radiating structure.



Warning/Signal/Stackable



Signal & Electric Horn/Sparker



Vessels and Heavy-Duty Equipment



Explosion Proof



Warning Light Bar



Aviation Obstruction Lights



Signal Tower Lights



USB/ETN Signal Tower Lights



Electric Horn/Sparkers



Industrial LED Lights