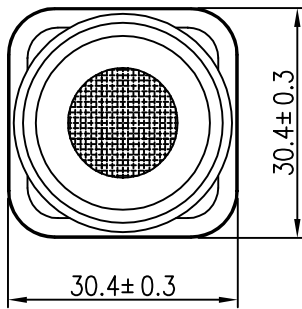
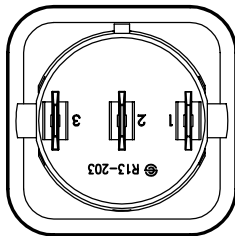
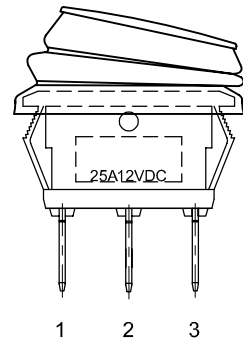
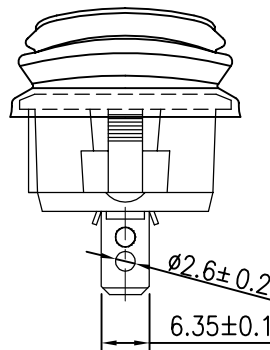
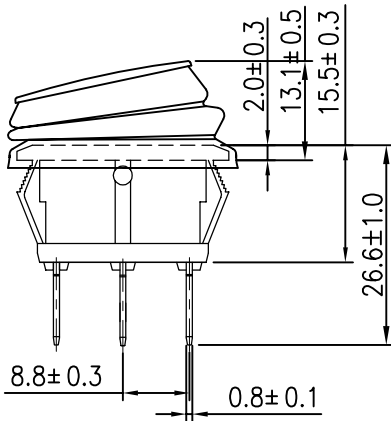


Rating	25A 12V DC		
Contact Resistance	50m ohm Max.		
Insulation Resistance	DC 500V 100M ohm Min.		
Dielectric Strength	AC 1500V 1 minute		
Operation Temperature	-25° C~85° C		
Switch Function	3P SPST ON-OFF With LED	Thickness 1.0~3.0 mm	



*MATERIAL:
 Frame: Black, Nylon 66 (94-V2)
 Actuator: Amber, PC (94-V2)
 Terminals: Copper alloy
 Waterproof Rubber: Silicone
 *Waterproof: IP65
 Tolerance:±0.3mm unless otherwise specified



C8\R13\R13-203B84-01-BAAN1(1825134)

								△
								△
Date	Name	Description						NO
Drawn	Checked	Approved	SCI BOM No.	1825134	Model Name	ROCKER SWITCH		
曹盈芳	蘇崇仁	王佰山	Customer No.		Model No.	R13-203B84-01-BAAN1	Rev.	
05/23/'11	05/25/'11	05/26/'11	Unit	mm	Shin Chin Industrial Co., Ltd.			0