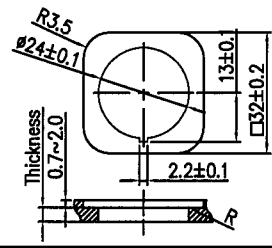
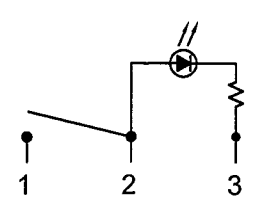
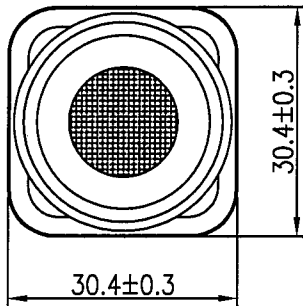
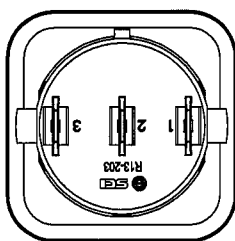
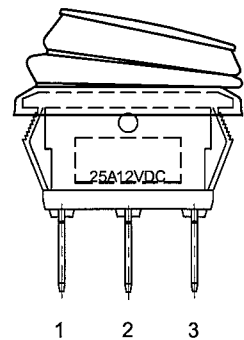
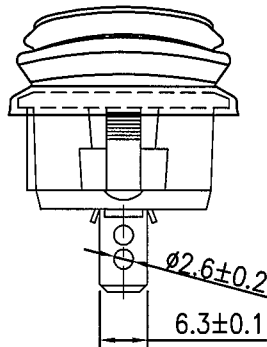
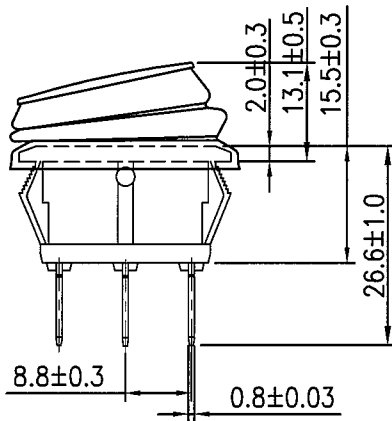


Rating	25A 12V DC	Mounting Hole 	Circuit Diagram 
Contact Resistance	50m ohm Max.		
Insulation Resistance	DC 500V 100M ohm Min.	Thickness 1.0~3.0 mm	
Dielectric Strength	AC 1500V 1 minute		
Operation Temperature	-25°C~85°C		
Switch Function	3P SPST ON-OFF (LED dependent)		



*MATERIAL:
 Frame: Black, Nylon 66 (94-V2)
 Actuator: Red, PC (94-V2)
 Terminals: Copper alloy
 Waterproof Rubber: Silicone
 *Waterproof: IP65



Tolerances Unless Otherwise Specified ±0.3

C81R131R13-203B84-01-BRRN1

						△	
						△	
Date		Name		Description		NO	
Drawn	Checked	Approved	SCI BOM No.	1824417	Model Name	ROCKER SWITCH	
曹盈芳			Customer No.		Model No.	R13-203B84-01-BRRN1	Rev.
10/29/13	10/31/13	10/31/13	Unit	mm	Shin Chin Industrial Co., Ltd.		0