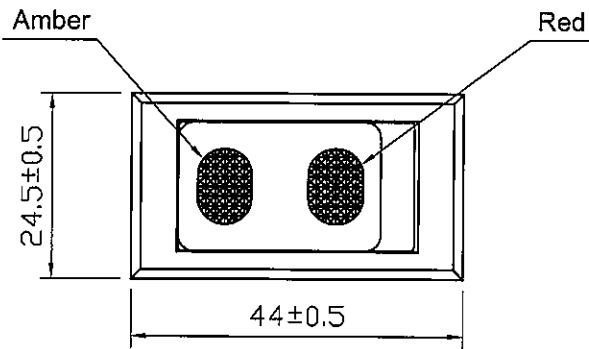
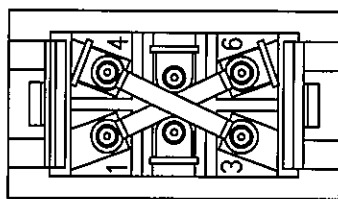
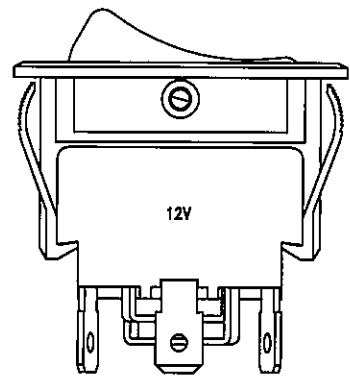
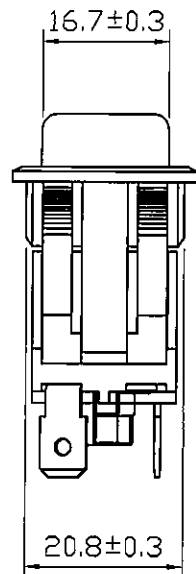
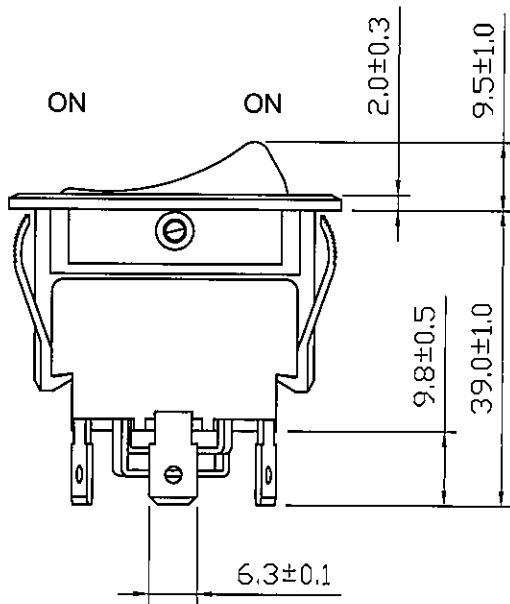


Rating	20A 12V DC	Mounting Hole			Circuit Diagram
Contact Resistance	50m ohm Max.				
Insulation Resistance	DC 500V 100M ohm Min.				
Dielectric Strength	AC 1500V 1 minute	Thickness	X	Y	
Switch Function	4P SPDT ON-ON (Bulb dependent)	0.75~1.25	21.2+0.1	37.3-0.1	
		1.25~2	21.2+0.1	37.5-0.1	
		2~3	21.2+0.1	37.9-0.1	



Material:
 Frame: PF, Black
 Actuator: Nylon 66, Black
 Lens: PC, Red/Amber



						△	
						△	
Date	Name	Description				No.	
Drawn	Checked	Approved	SCI BOM No.	1821284	Model Name	ROCKER SWITCH	
曹盈芳			Customer No.		Model No.	R13-220BC-01	Rev.
07/27/17		2/27/17	Unit	mm	Shin Chin Industrial Co., Ltd.		0