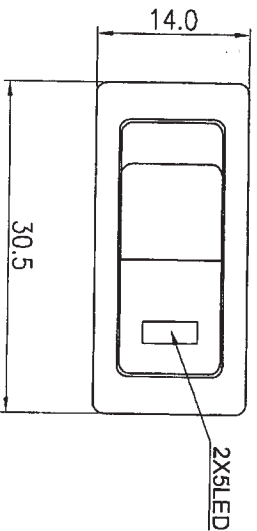
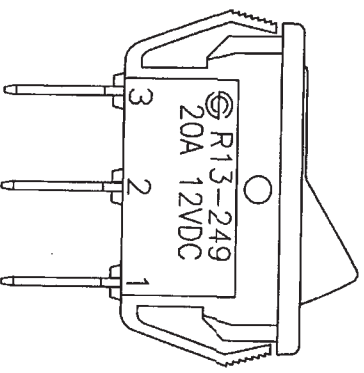
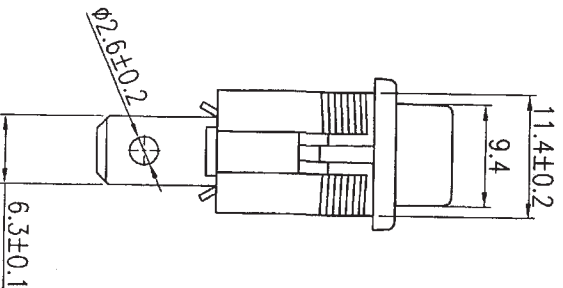
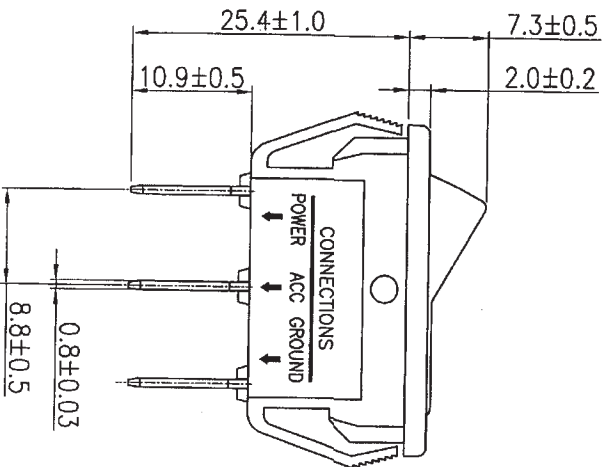


Rating	20A 12V DC	Mounting Hole		Circuit Diagram
Contact Resistance	50m ohm Max.			
Insulation Resistance	DC 500V .100M ohm Min.			
Dielectric Strength	AC 1500V 1 minute			
Operating Force	450g±200g			
Switch Function	3P SPST ON-OFF (LED dependent)			
		Thickness	X	Y
		0.75..2.0	28.5±0.1	11.6±0.1
		2.0..3.0	28.7±0.1	11.6±0.1
		3.0..4.0	29.0±0.1	11.6±0.1



Material:
Frame: Black, Nylon 66
Actuator: Black, Nylon 66
LED: Yellow



Tolerances ±0.3 Unless Otherwise Specified

Date	Name	Description				No.
Drawn	Checked	Approved	SCI BOM No	1822507	Model Name	ROCKER SWITCH
5/18/16	5/18/16	5/18/16	Customer No.		Model No.	R13-249L-01
			Unit	mm	Shin Chin Industrial Co., Ltd.	
					Rev.	0