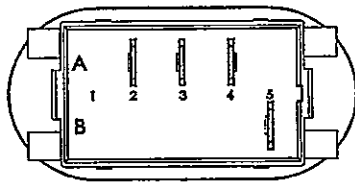
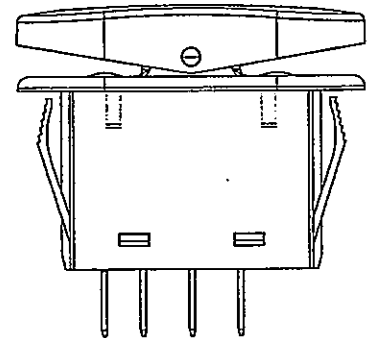
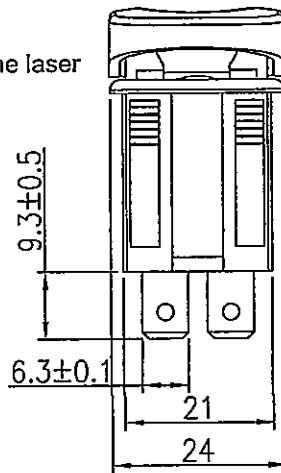
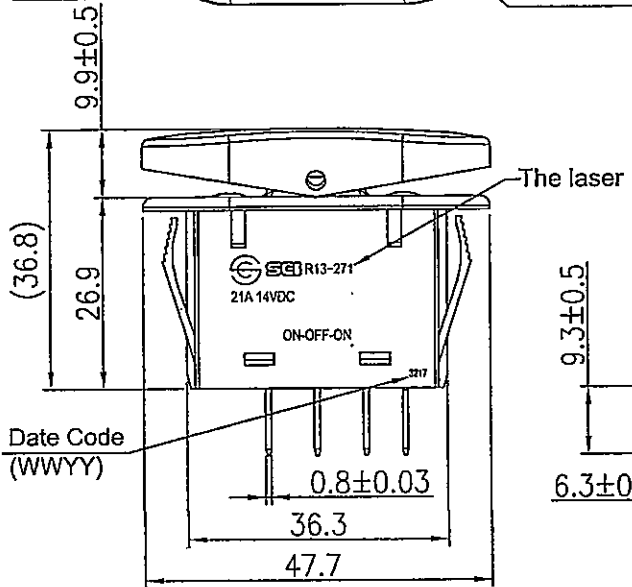
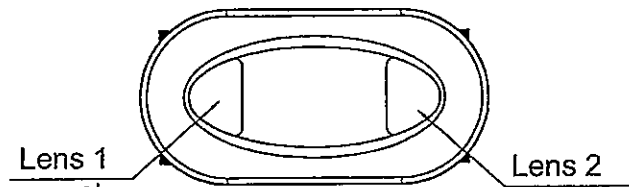


Rating	21A 14VDC	Mounting Hole		Circuit Diagram
Contact Resistance	50m ohm Max.			
Insulation Resistance	DC 500V 100M ohm Min.			
Dielectric Strength	AC 1500V 1minute			
Operation Temperature	-20°~85°	Thickness	X	Y
Switch Function	4P SPDT ON-OFF-ON (LED dependent)	0.75~1.25	21.2±0.1	36.6±0.1
		1.25~2	21.2±0.1	36.8±0.1
		2~3	21.2±0.1	37.0±0.1

Material:
 Frame: Nylon#66, Black
 Actuator: Nylon#66+30%GF, Black
 Lens1: Yellow, PC
 Lens2: Green, PC
 Terminal: Silver plated copper(excepted lamp terminal)
 Printed: None



Tolerances ±0.3 Unless Otherwise Specified

						△	
						△	
Date	Name	Description				NO	
Drawn	Checked	Approved	SCI BOM No.	Model Name	ROCKER SWITCH		
曾敏捷	<i>[Signature]</i>	<i>[Signature]</i>	Customer No.	Model No.	R13-271D3-BBYG-220500-1	Rev. X0	
08/08/17	<i>[Signature]</i>	8/9-17	Unit	mm	Shin Chin Industrial Co., Ltd.		